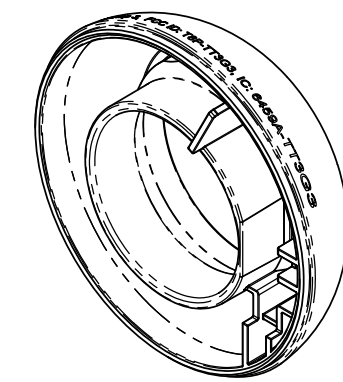
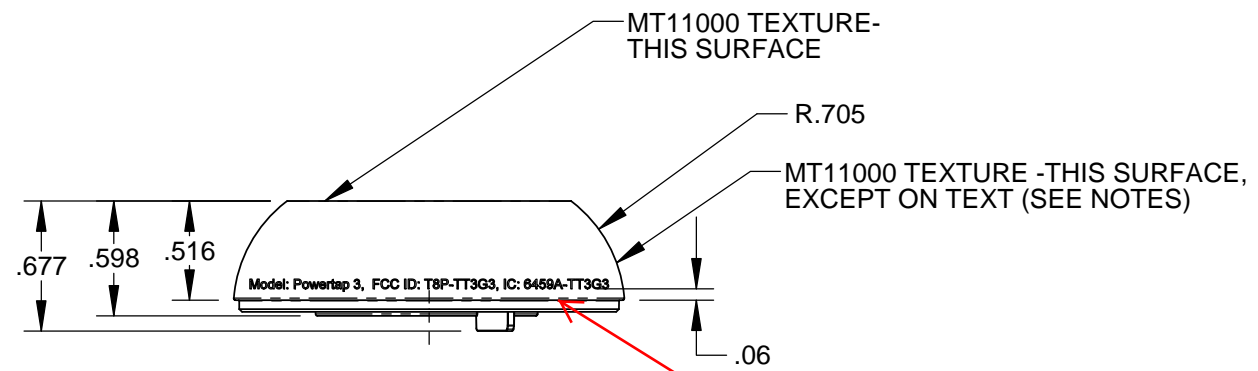
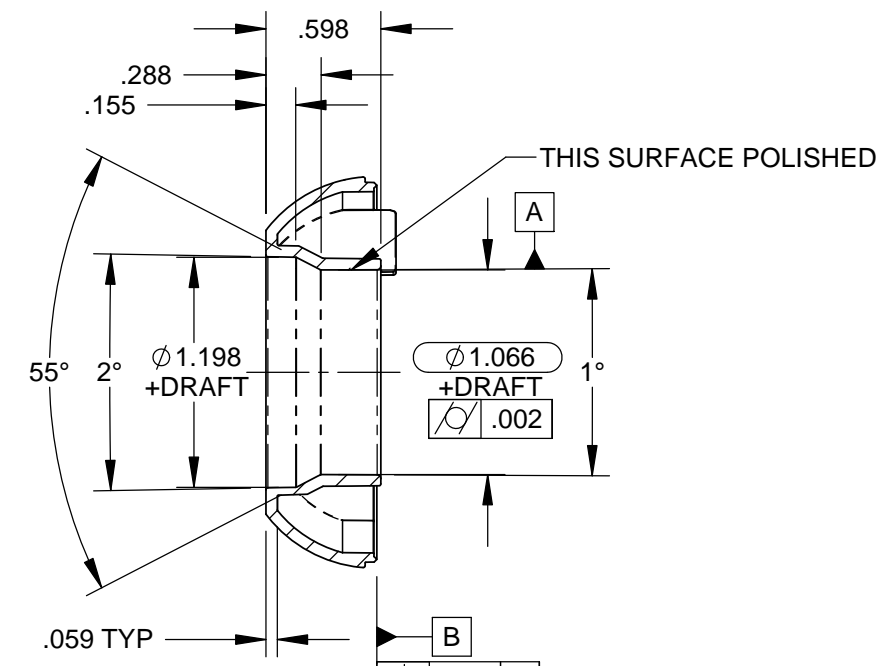


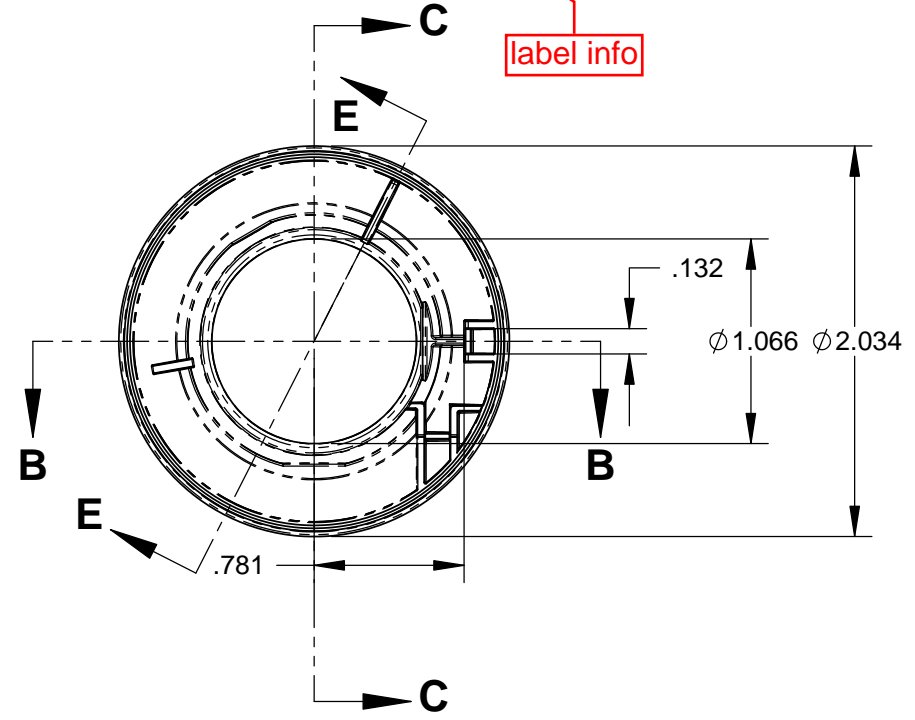
| REVISIONS |                    |      |         |
|-----------|--------------------|------|---------|
| REV       | DESCRIPTION        | APP. | DATE    |
| A         | PRODUCTION RELEASE | JGL  | 3/31/11 |



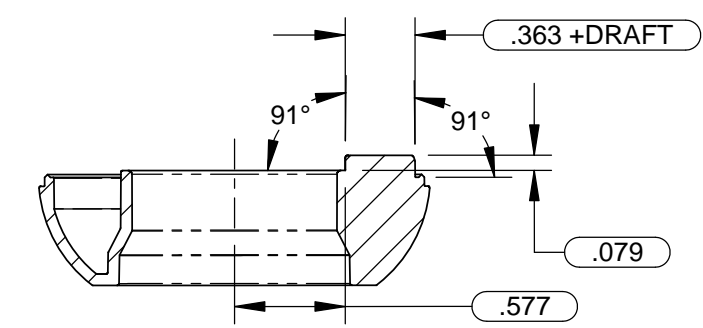
ISOMETRIC VIEW



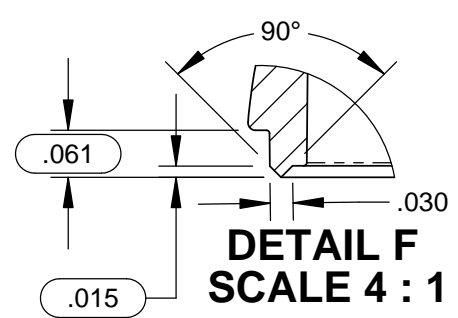
SECTION C-C



SECTION B-B



SECTION E-E



DETAIL F  
SCALE 4 : 1

- NOTE:
- VOLUME: .39 CUBIC IN.
  - ALL UNSPECIFIED RADII .004"
  - FOR REFERENCE ONLY. TOOLING TO BE CREATED FROM 3D MODEL.
  - PART TO MATE FREELY WITH 19681.
  - NOMINAL WALL THICKNESS: .059"
  - NO GATE VESTIGE ON OUTER OR POLISHED SURFACE (AS NOTED ABOVE).
  - THE FOLLOWING TEXT TO BE MASKED FROM TEXTURING:
    - "MODEL: POWERTAP 3, FCC ID: T8P-TT3G3, IC: 6459A-TT3G3".
    - FONT: ARIAL 5 BOLD.
    - TEXT MASKING TO BE CREATED FROM ADOBE ILLUSTRATOR FILE.
    - VERTICAL POSITION OF TEXT INDICATED IN DRAWING, RADIAL POSITION ARBITRARY.

|   |  |                               |  |  |                |
|---|--|-------------------------------|--|--|----------------|
| VENDOR REPRESENTATIVE:  |  | DATE:                         |  | <b>SARIS CYCLING GROUP</b><br>5253 VERONA RD., MADISON WI. 53711<br>1-800-783-7257 / 1-608-274-1702<br>WWW.SARIS.COM |                |
| UNLESS OTHERWISE SPECIFIED DIMENSIONS ARE IN IMPERIAL TOLERANCES ARE: |  | MATERIAL:                     |  |  |                |
| IMPERIAL:   |  | POLYCARBONATE<br>COLOR: BLACK |  | APPROVALS  | DATE           |
| X" = .250   |  |                               |  | DRAWN  | JGL 9/14/10    |
| .X" = .060  |  |                               |  | CHECKED  |                |
| .XX" = .020   |  |                               |  | RESP ENG   |                |
| .XXX" = .005  |  |                               |  | MFG ENG  |                |
| ANGLES ±1°  |  | FINISH:                       |  | PROD. REP.   |                |
|   |  | SPE/SPI D2<br>EXCEPT AS NOTED |  |  |                |
|   |  |                               |  | TITLE: <b>TOP, ENCLOSURE, GEN 3 PT</b>   |                |
|   |  |                               |  | SCALE: <b>1:1</b>  | SIZE: <b>B</b> |
|   |  |                               |  | DWG. NO. <b>19683</b>  | REV. <b>A</b>  |
|   |  |                               |  | SHEET <b>1</b> OF <b>1</b>   |                |