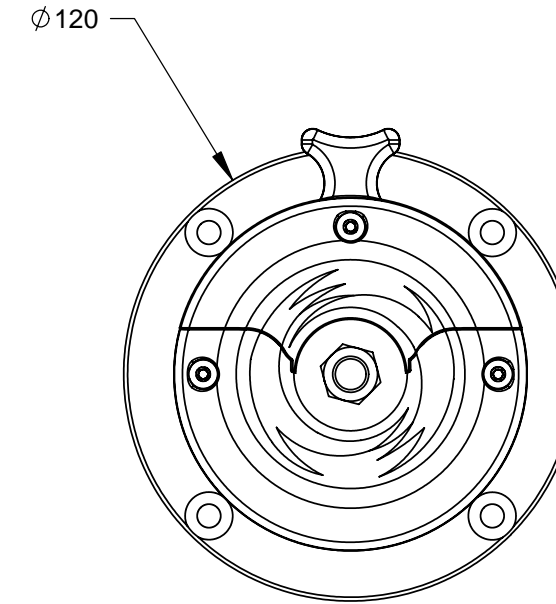
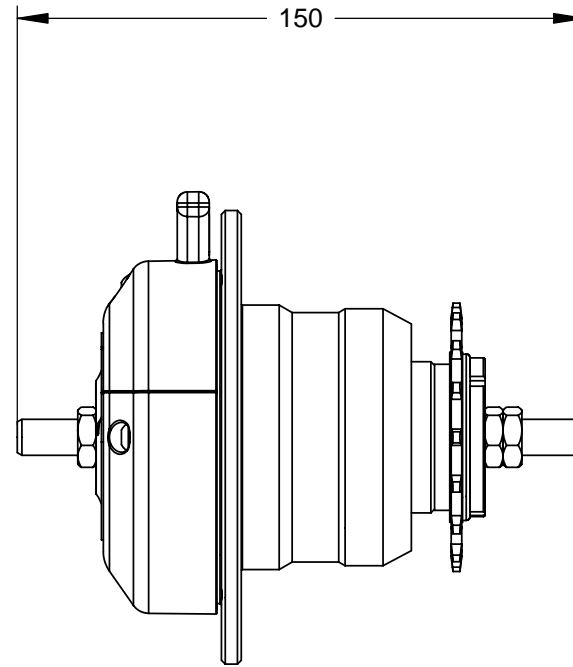
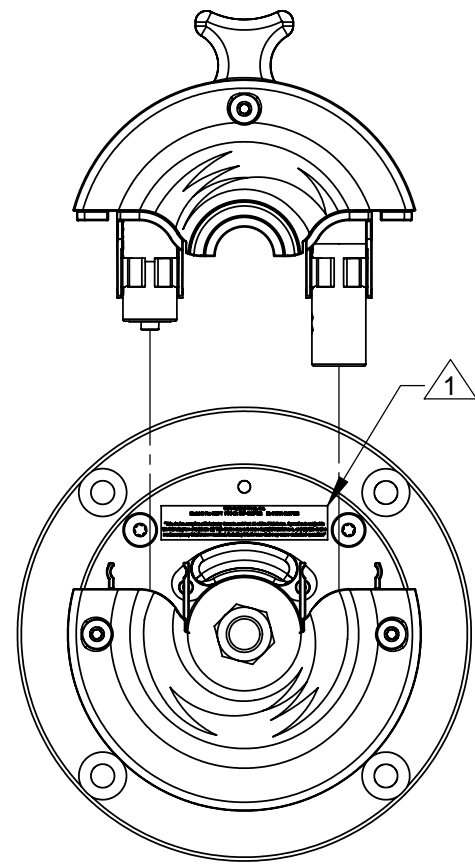


REVISIONS			
REV	DESCRIPTION	APP.	DATE



44

Saris Cycling Group, Inc.
Model #: Pro 300PT FCC ID: T8P-SL2P402 IC: 6459A-SL2P402

"This device complies with Industry Canada and Part 15 of the FCC Rules. Operation is subject to the following two conditions: (1) This device may not cause harmful interference, and (2) this device must accept any interference received, including interference that may cause undesired operation."

9

DETAILED VIEW OF FCC DECAL, #17495
SCALE 4:1

NOTES:

1. DECAL: SILVER BACKGROUND WITH BLACK LETTERING. USES SINGLE-SIDED, PERMANENT ADHESIVE.

VENDOR REPRESENTATIVE:		DATE:		SARIS CYCLING GROUP 5253 VERONA RD., MADISON WI 53711 1-800-783-7257 / 1-608-274-1702 WWW.SARIS.COM	
UNLESS OTHERWISE SPECIFIED DIMENSIONS ARE IN METRIC TOLERANCES ARE:		MATERIAL:		CAD GENERATED DRAWING. DO NOT MANUALLY UPDATE DIMENSIONING PER ASME Y14.5M 1994 DO NOT SCALE DRAWING	
METRIC:		N/A		APPROVALS	
X mm = .50				DATE	
.X mm = .25				DRAWN JRR 4/11/07	
.XX mm = .15				CHECKED	
.XXX mm = .100		N/A		RESP ENG	
ANGLES ±1°				MFG ENG	
				PROD. REP.	
THE INFORMATION CONTAINED IN THIS DRAWING IS THE SOLE CONFIDENTIAL PROPERTY OF SARIS CYCLING GROUP ANY REPRODUCTION IN PART OR WHOLE WITHOUT THE WRITTEN PERMISSION OF SARIS CYCLING GROUP IS PROHIBITED.		TITLE:		ASSEMBLY, POWER CARTRIDGE 300 IC	
SCALE		SIZE		DWG. NO.	
1:2		B		17329_FCC	
CAD FILE:		SHEET		REV.	
1		1 OF 1		1	

Safe Loading Group, Inc.
Model 8000 (P/N 8000-001) (S/N 8000-001)

*This device complies with Industry Canada and Part 15 of the FCC Rules. Operation is subject to the following two conditions: (1) This device may not cause harmful interference, and (2) this device must accept any interference (received, including interference that may cause unintended operation).

04/11/2007

Mini-Link Group, Inc.
Model No. 80077 P12.01 700-01-0000 11 0000 01-0000

This device complies with Industry Canada and Part 68 of the FCC Rules. Operation is subject to the following two conditions: (1) This device may not cause harmful interference, and (2) this device must accept any interference that may be received from authorized radio communications.

04/11/2007



04/11/2007