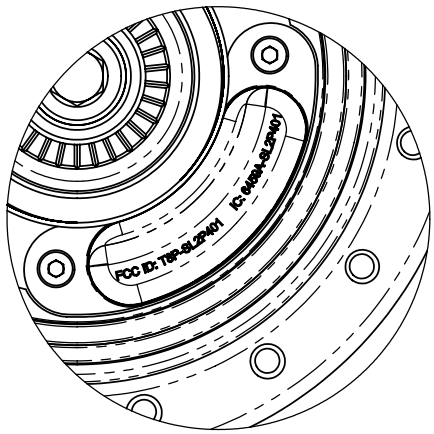
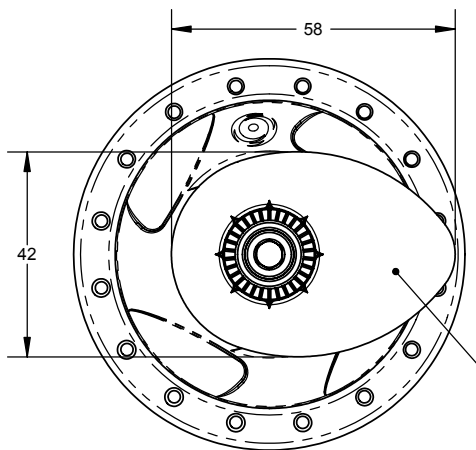
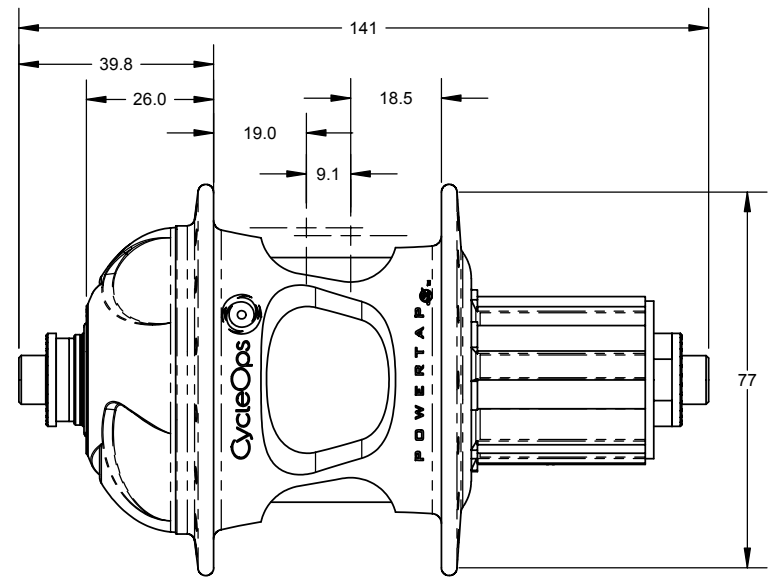
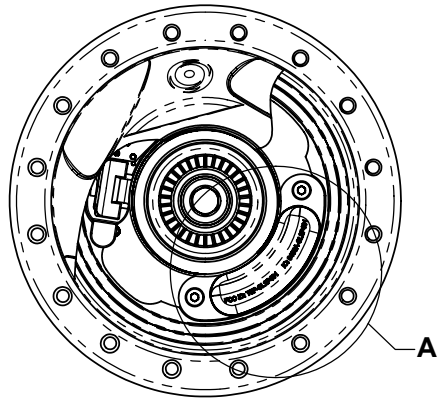


REVISIONS			
REV	DESCRIPTION	APP.	DATE



**DETAIL A
SCALE 2 : 1**

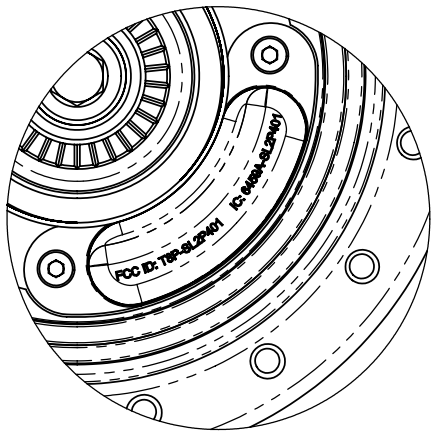


FCC INFORMATION TAG VIEW

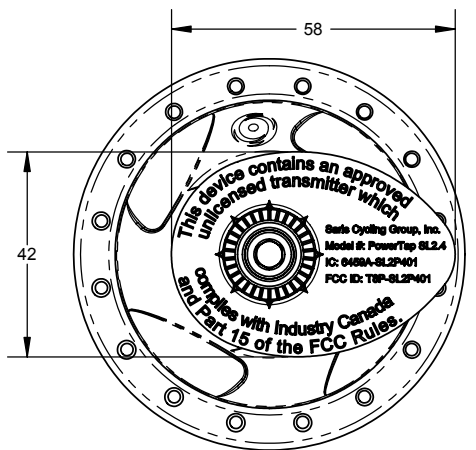
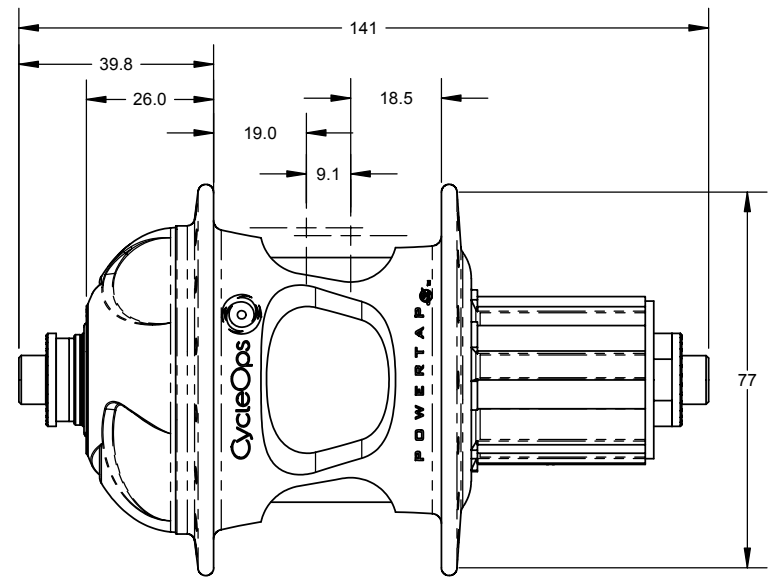
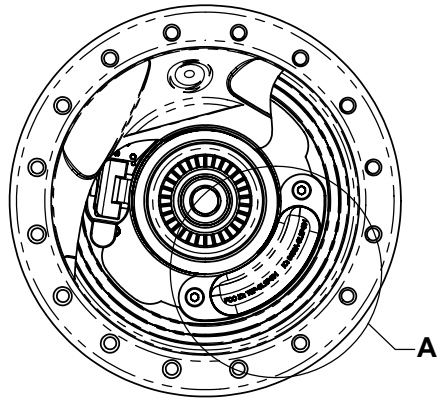
NOTE TO READ:
"This device contains an approved unlicensed transmitter which complies with Industry Canada and Part 15 of the FCC Rules."

VENDOR REPRESENTATIVE:		DATE:		 SARIS CYCLING GROUP 6293 VERONA RD., MADISON WI 53711 1-800-783-7257 / 1-608-274-1702 WWW.SARIS.COM	
UNLESS OTHERWISE SPECIFIED DIMENSIONS ARE IN METRIC TOLERANCES ARE:		MATERIAL:			
METRIC:		SEE BILL OF MATERIAL		APPROVALS	
X mm = .50		NONE		DRAWN M. DAHL DATE 6/6/06	
.X mm = .25				CHECKED	
.XX mm = .15				RESP ENG	
.XXX mm = .100				MFG ENG	
ANGLES ±1°		PROD. REP.		THE INFORMATION CONTAINED IN THIS DRAWING IS THE SOLE PROPERTY OF SARIS CYCLING GROUP ANY REPRODUCTION IN PART OR WHOLE WITHOUT THE WRITTEN PERMISSION OF SARIS CYCLING GROUP IS PROHIBITED. TITLE: POWERTAP SL 2.4	
		SCALE 1:1		SIZE B DWG. NO. 16736 REV.	
CAD FILE:		SHEET 1 OF 1			

REVISIONS			
REV	DESCRIPTION	APP.	DATE



**DETAIL A
SCALE 2 : 1**



FCC INFORMATION TAG VIEW

VENDOR REPRESENTATIVE:		DATE:		 SARIS CYCLING GROUP 6283 VERONA RD., MADISON WI 53711 1-800-783-7257 / 1-608-274-1702 WWW.SARIS.COM	
UNLESS OTHERWISE SPECIFIED DIMENSIONS ARE IN METRIC TOLERANCES ARE: METRIC: X mm = .50 .X mm = .25 .XX mm = .15 .XXX mm = .100 ANGLES ±1°		MATERIAL: SEE BILL OF MATERIAL			
FINISH: NONE		APPROVALS DRAWN: M. DAHL DATE: 6/6/06		THE INFORMATION CONTAINED IN THIS DRAWING IS THE SOLE PROPERTY OF SARIS CYCLING GROUP ANY REPRODUCTION IN PART OR WHOLE WITHOUT THE WRITTEN PERMISSION OF SARIS CYCLING GROUP IS PROHIBITED.	
		CHECKED: _____ RESP ENG: _____ MFG ENG: _____ PROD. REP: _____		TITLE: POWERTAP SL 2.4	
SCALE: 1:1		SIZE: B		DWG. NO. 16736	
CAD FILE: _____		SHEET 1 OF 1		REV. _____	