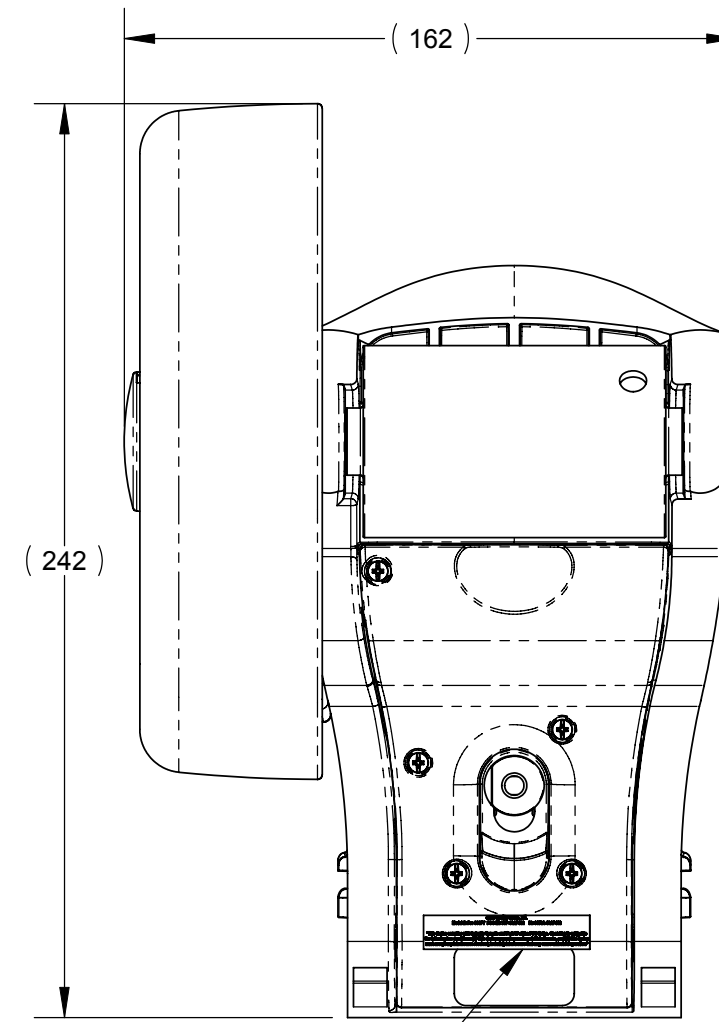
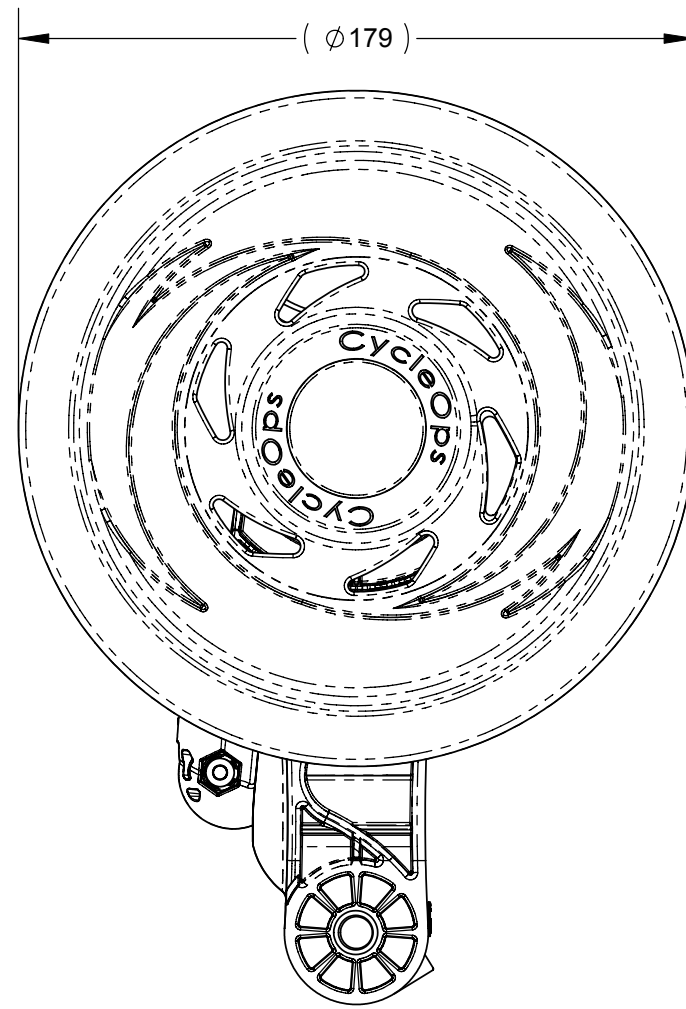


REVISIONS			
REV	DESCRIPTION	APP.	DATE

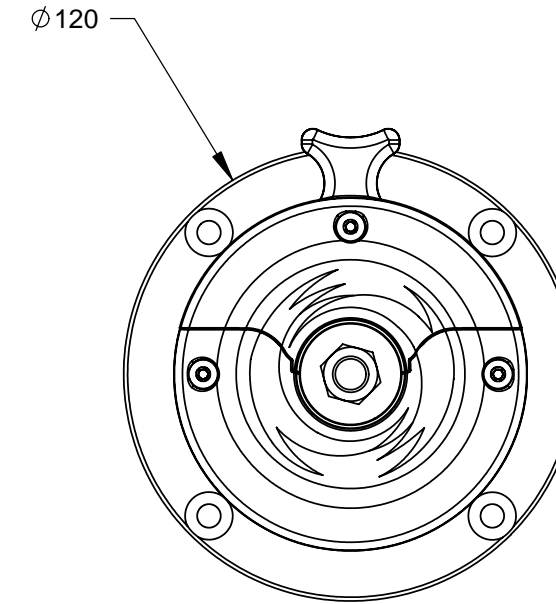
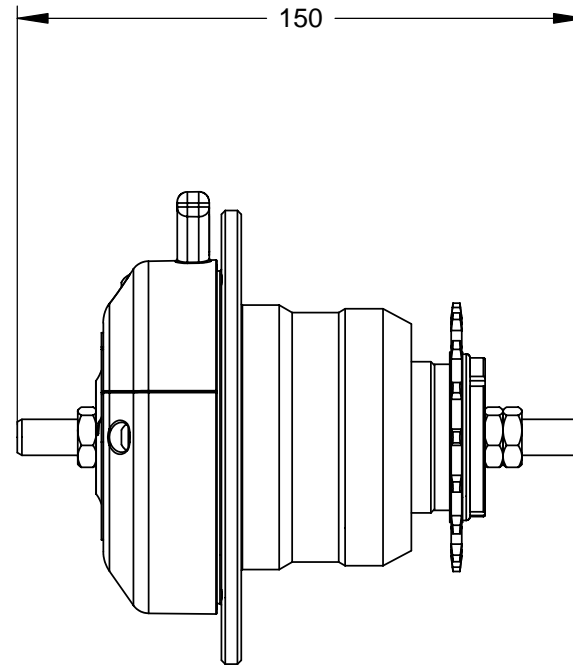
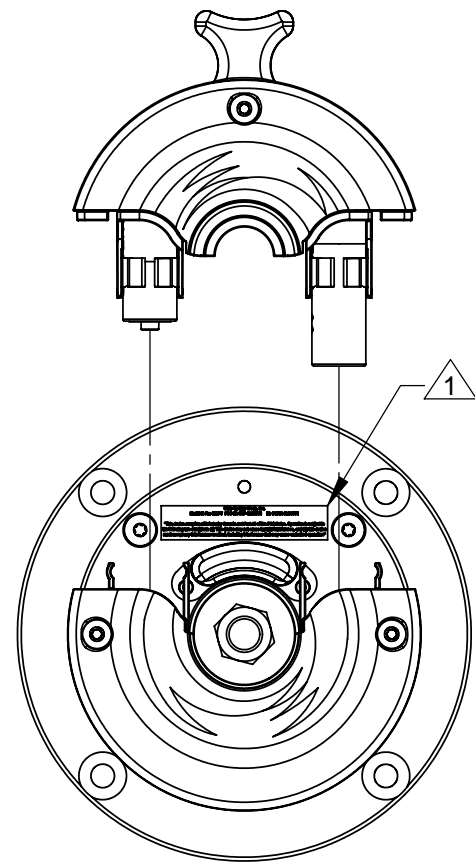


**Saris Cycling Group, Inc.**  
**Model #: Powerbeam FCC ID: T8P-SL24TT1 IC: 6459A-SL24TT1**

**"This device complies with Industry Canada and Part 15 of the FCC Rules. Operation is subject to the following two conditions: (1) This device may not cause harmful interference, and (2) this device must accept any interference received, including interference that may cause undesired operation."**

<b>VENDOR REPRESENTATIVE:</b> UNLESS OTHERWISE SPECIFIED DIMENSIONS ARE IN IMPERIAL TOLERANCES ARE: <b>IMPERIAL:</b> X" = .250 .X" = .060 .XX" = .020 .XXX" = .005 ANGLES ±1° 		<b>MATERIAL:</b> <p style="text-align: center;"><b>SEE BILL OF MATERIAL</b></p> <b>FINISH:</b> <p style="text-align: center;"><b>NONE</b></p>	<b>DATE:</b> CAD GENERATED DRAWING. DO NOT MANUALLY UPDATE DIMENSIONING PER ASME Y14.5M 1994 DO NOT SCALE DRAWING APPROVALS      DATE DRAWN <b>M. DAHL</b> <b>7/16/07</b> CHECKED RESP ENG MFG ENG PROD. REP.	 <b>SARIS CYCLING GROUP</b> 5253 VERONA RD., MADISON WI 53711 1-800-783-7257 / 1-608-274-1702 WWW.SARIS.COM THE INFORMATION CONTAINED IN THIS DRAWING IS THE SOLE PROPERTY OF SARIS CYCLING GROUP ANY REPRODUCTION IN PART OR WHOLE WITHOUT THE WRITTEN PERMISSION OF SARIS CYCLING GROUP IS PROHIBITED. <b>TITLE:</b> <p style="text-align: center;"><b>RESISTANCE UNIT, ELECTRONIC FCC DECAL INFORMATION</b></p>
SCALE: <b>1:2</b> SIZE: <b>B</b> DWG. NO. <b>17000</b> REV.		CAD FILE:      SHEET <b>1</b> OF <b>1</b>		

REVISIONS			
REV	DESCRIPTION	APP.	DATE
1	Changed FCC & IC #s for T-antenna	MFG	7/13/07



44

**Saris Cycling Group, Inc.**  
**Model #: Pro 300PT FCC ID: T8P-SL24TT1 IC: 6459A-SL24TT1**

"This device complies with Industry Canada and Part 15 of the FCC Rules. Operation is subject to the following two conditions: (1) This device may not cause harmful interference, and (2) this device must accept any interference received, including interference that may cause undesired operation."

9

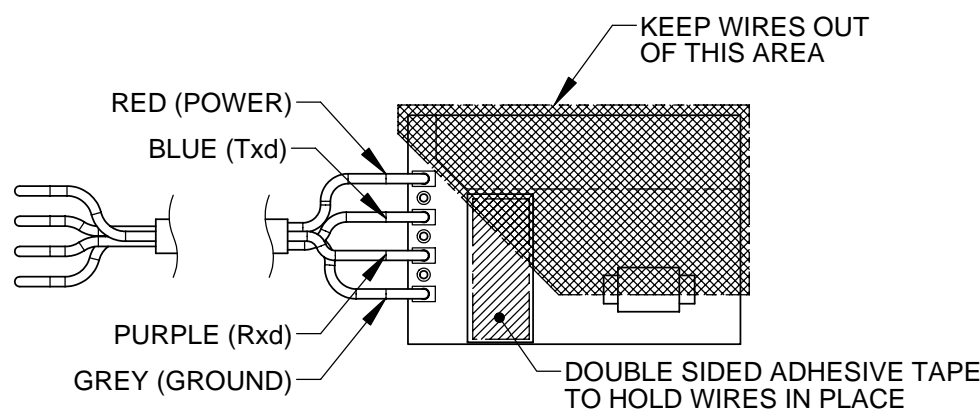
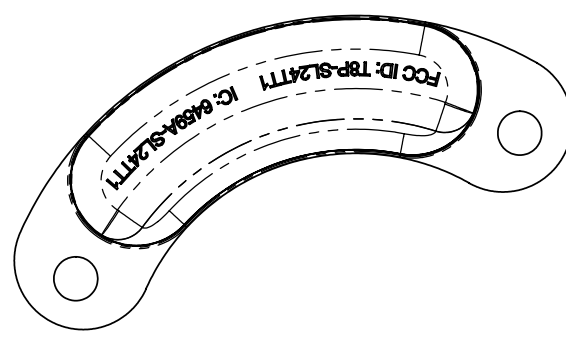
**DETAILED VIEW OF FCC DECAL, #17495**  
**SCALE 4:1**

NOTES:

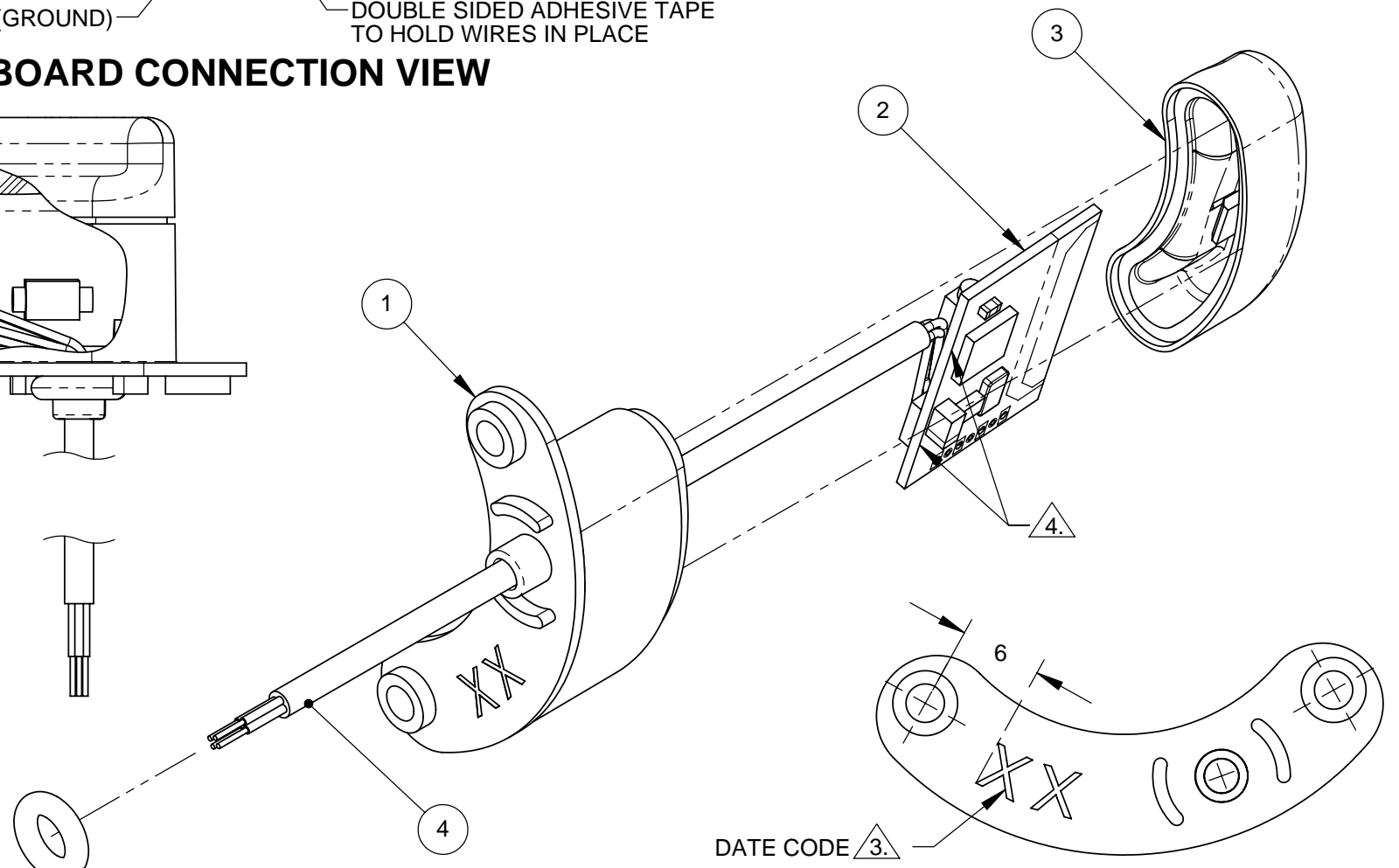
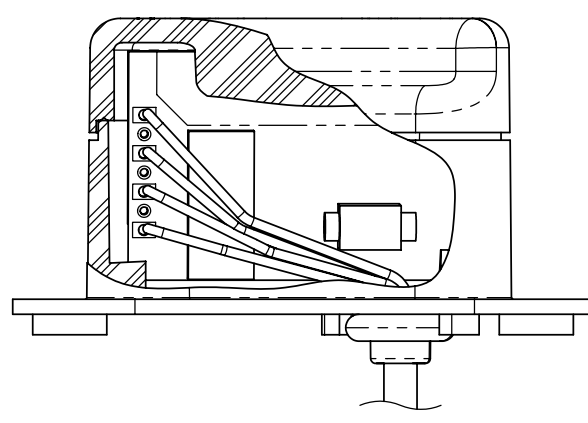
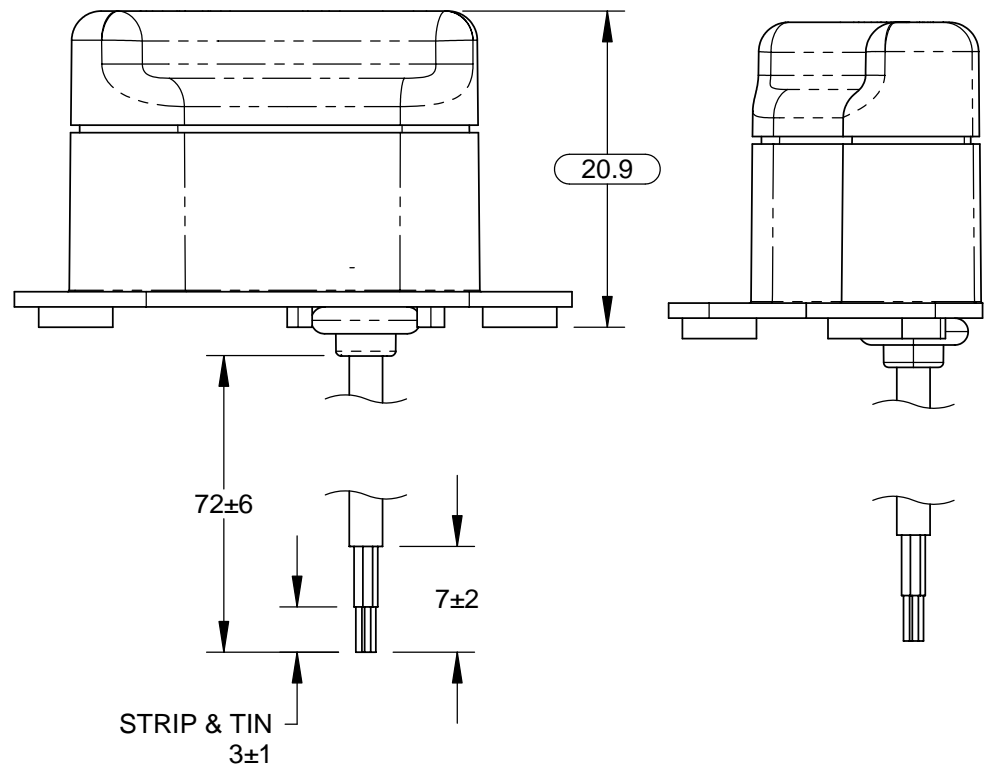
1. DECAL: SILVER BACKGROUND WITH BLACK LETTERING. USES SINGLE-SIDED, PERMANENT ADHESIVE.

VENDOR REPRESENTATIVE:		DATE:		<b>SARIS CYCLING GROUP</b> 5253 VERONA RD., MADISON WI 53711 1-800-783-7257 / 1-608-274-1702 WWW.SARIS.COM					
UNLESS OTHERWISE SPECIFIED DIMENSIONS ARE IN METRIC TOLERANCES ARE:		MATERIAL:				CAD GENERATED DRAWING. DO NOT MANUALLY UPDATE DIMENSIONING PER ASME Y14.5M 1994 DO NOT SCALE DRAWING			
<b>METRIC:</b>		N/A		APPROVALS		DATE			
X mm = .50				DRAWN		JRR		4/11/07	
.X mm = .25				CHECKED		RESP ENG		<b>TITLE:</b> <b>ASSEMBLY, POWER CARTRIDGE 300 IC</b>	
.XX mm = .15				MFG ENG		PROD. REP.			
.XXX mm = .100		FINISH:		DWG. NO. 17329_FCC		REV.			
ANGLES ±1°		N/A				SIZE B		SHEET 1 OF 1	
		CAD FILE:		17329_FCC		SHEET 1 OF 1			

REVISIONS			
REV	DESCRIPTION	APP.	DATE
1	INITIAL RELEASE	MAD	5/10/07
2	CHANGED WIRE LENGTH - 72±6 WAS 83±6	MAD	5/16/07



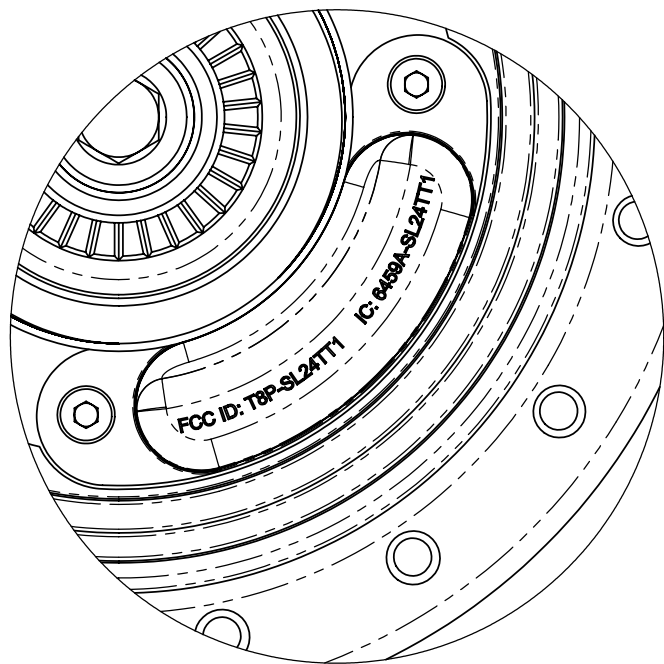
**BOARD CONNECTION VIEW**



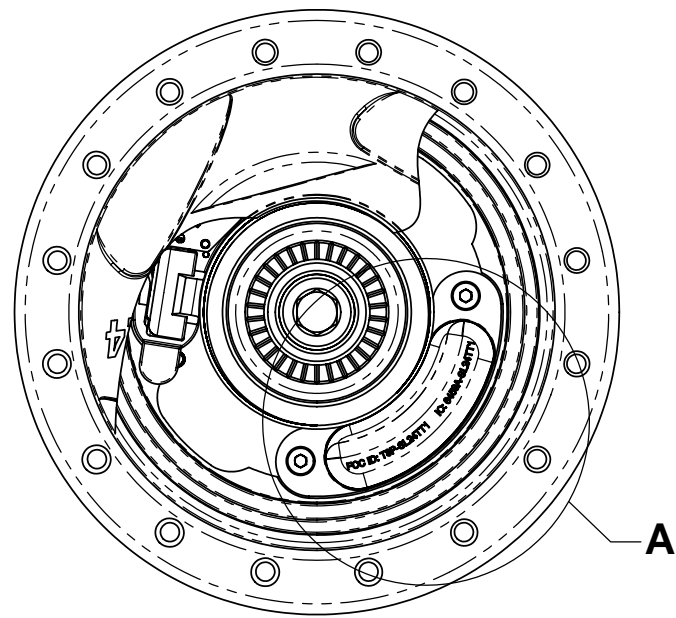
ITEM NO.	PART NUMBER	DESCRIPTION	Assembly/QTY.
1	17722	BASE, RF CAPSULE, 2.4SL, CLR	1
2	17709	PCB ANTENNA, T-STYLE, 2.4 SL	1
3	17721	CAPSULE, RF PCB, 2.4 SL, CLR	1
4	16840	ASY, CABLE, 2.4 ANT MODULE	1
5	16841	O-RING, -007 NITRILE	1

- NOTE:
- ASSEMBLE AND TEST PER SARIS SPEC 17373.
  - CABLE (ITEM #4) SAME BASE MATERIAL AS USED IN 16266.
  - APPLY DATE CODE TO SURFACE AS NOTED ABOVE.
  - PLACE 2X PIECES OF FOAM UNDER ITEM #2. SIZE, SHAPE AND LOCATION FOR REFERENCE ONLY. FOAM MUST BE THICK ENOUGH TO PUSH ITEM #2 UPWARDS UNTIL IT TOUCHES ITEM #3.
  - MUST BE SHIPPED IN INDIVIDUAL ANTI-STATIC PACKAGING

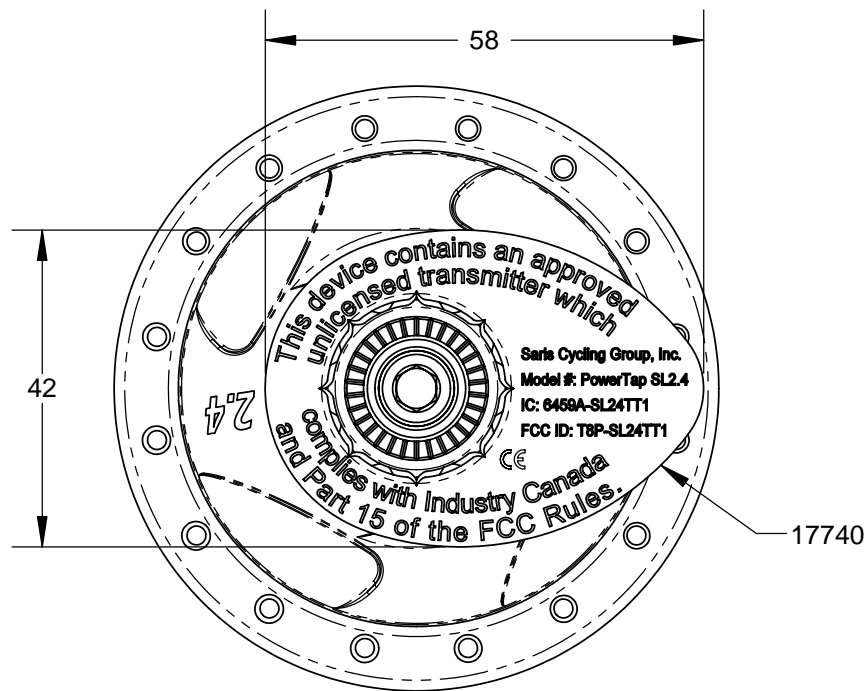
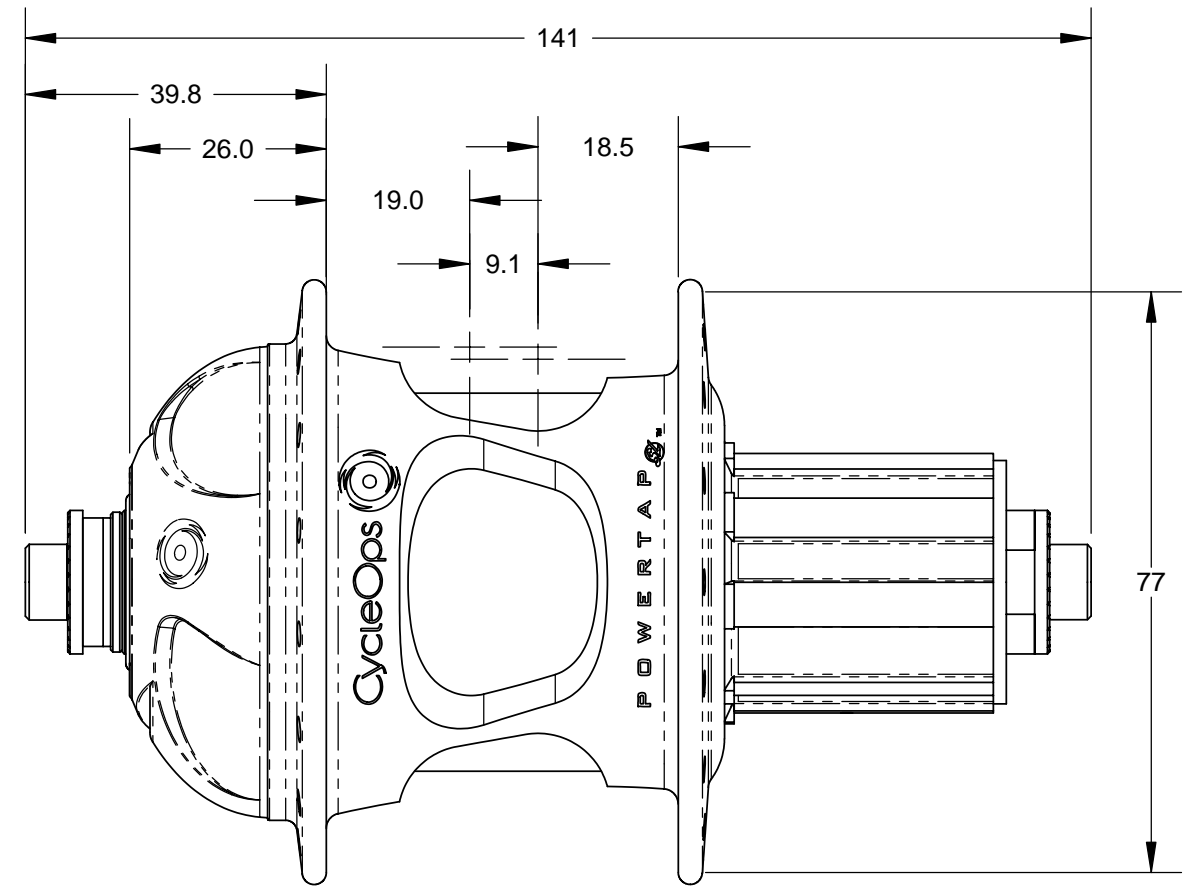
VENDOR REPRESENTATIVE:		DATE:		<b>SARIS CYCLING GROUP</b> 5253 VERONA RD., MADISON WI 53711 1-800-783-7257 / 1-608-274-1702 WWW.SARIS.COM	
UNLESS OTHERWISE SPECIFIED DIMENSIONS ARE IN METRIC TOLERANCES ARE:		CAD GENERATED DRAWING, DO NOT MANUALLY UPDATE DO NOT SCALE DRAWING			
METRIC: X mm = .50 .X mm = .25 .XX mm = .15 .XXX mm = .100 ANGLES ±1°		MATERIAL:  <b>SEE BILL OF MATERIAL</b>		APPROVALS: DRAWN <b>M. DAHL</b> DATE <b>5/10/07</b> CHECKED: _____ RESP ENG: _____ MFG ENG: _____ PROD. REP: _____	
FINISH: <b>NONE</b>		TITLE: <b>ASY, 2.4 HUB T- ANT MODULE</b>		SCALE: <b>2:1</b> SIZE: <b>B</b> DWG. NO. <b>17710</b> REV. <b>2</b>	
		CAD FILE: _____		SHEET <b>1</b> OF <b>1</b>	




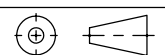
**DETAIL A  
SCALE 2 : 1**



**A**



**FCC INFORMATION TAG VIEW**

VENDOR REPRESENTATIVE:		DATE:		 <b>SARIS CYCLING GROUP</b> 5253 VERONA RD., MADISON WI 53711 1-800-783-7257 / 1-608-274-1702 WWW.SARIS.COM	
UNLESS OTHERWISE SPECIFIED DIMENSIONS ARE IN METRIC TOLERANCES ARE:		CAD GENERATED DRAWING. DO NOT MANUALLY UPDATE DIMENSIONING PER ASME Y14.5M 1994 DO NOT SCALE DRAWING			
<b>METRIC:</b> X mm = .50 .X mm = .25 .XX mm = .15 .XXX mm = .100 ANGLES ±1°		<b>MATERIAL:</b>  <b>SEE BILL OF MATERIAL</b>		APPROVALS      DATE DRAWN <b>M. DAHL</b> <b>6/6/06</b> CHECKED RESP ENG MFG ENG PROD. REP.	
		<b>FINISH:</b>  <b>NONE</b>		THE INFORMATION CONTAINED IN THIS DRAWING IS THE SOLE PROPERTY OF SARIS CYCLING GROUP ANY REPRODUCTION IN PART OR WHOLE WITHOUT THE WRITTEN PERMISSION OF SARIS CYCLING GROUP IS PROHIBITED. <b>TITLE:</b> <b>POWERTAP SL 2.4</b>	
				SCALE: <b>1:1</b> SIZE: <b>B</b> DWG. NO. <b>16737_A</b> REV. <b>A</b> CAD FILE:      SHEET <b>2</b> OF <b>2</b>	