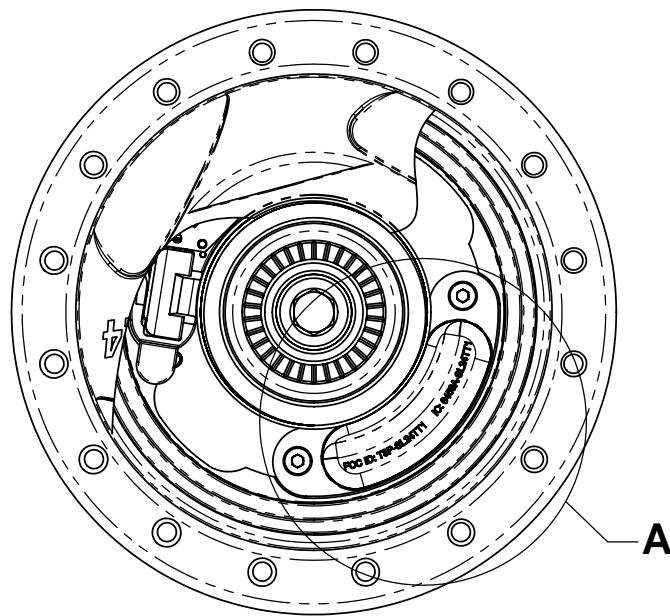
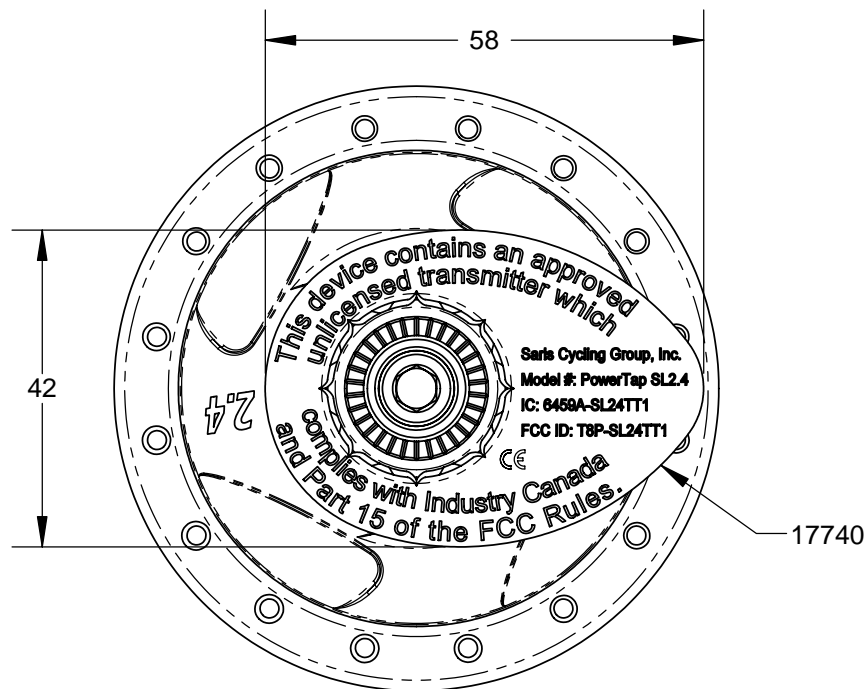
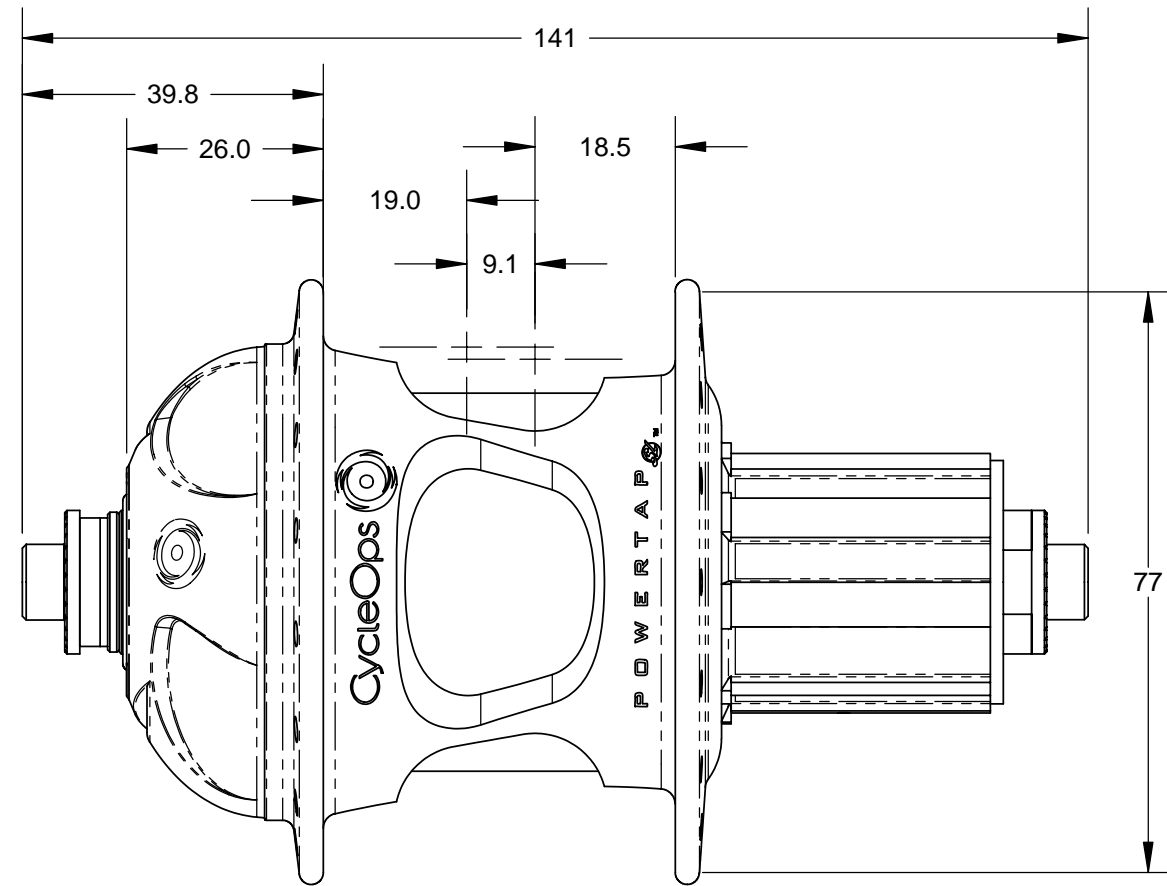



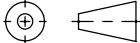
**DETAIL A  
SCALE 2 : 1**



**A**



**FCC INFORMATION TAG VIEW**

VENDOR REPRESENTATIVE:		DATE:		 <b>SARIS CYCLING GROUP</b> 5253 VERONA RD., MADISON WI 53711 1-800-783-7257 / 1-608-274-1702 WWW.SARIS.COM	
UNLESS OTHERWISE SPECIFIED DIMENSIONS ARE IN METRIC TOLERANCES ARE:		CAD GENERATED DRAWING. DO NOT MANUALLY UPDATE DIMENSIONING PER ASME Y14.5M 1994 DO NOT SCALE DRAWING			
<b>METRIC:</b> X mm = .50 .X mm = .25 .XX mm = .15 .XXX mm = .100 ANGLES ±1°		<b>MATERIAL:</b>  <b>SEE BILL OF MATERIAL</b>		APPROVALS      DATE DRAWN <b>M. DAHL</b> <b>6/6/06</b> CHECKED RESP ENG MFG ENG PROD. REP.	
		<b>FINISH:</b>  <b>NONE</b>		<b>TITLE:</b>  <b>POWERTAP SL 2.4</b>	
				SCALE      SIZE      DWG. NO.      REV. <b>1:1</b> <b>B</b> <b>16737_A</b> <b>A</b>	THE INFORMATION CONTAINED IN THIS DRAWING IS THE SOLE PROPERTY OF SARIS CYCLING GROUP ANY REPRODUCTION IN PART OR WHOLE WITHOUT THE WRITTEN PERMISSION OF SARIS CYCLING GROUP IS PROHIBITED.
				CAD FILE:	SHEET <b>2</b> OF <b>2</b>