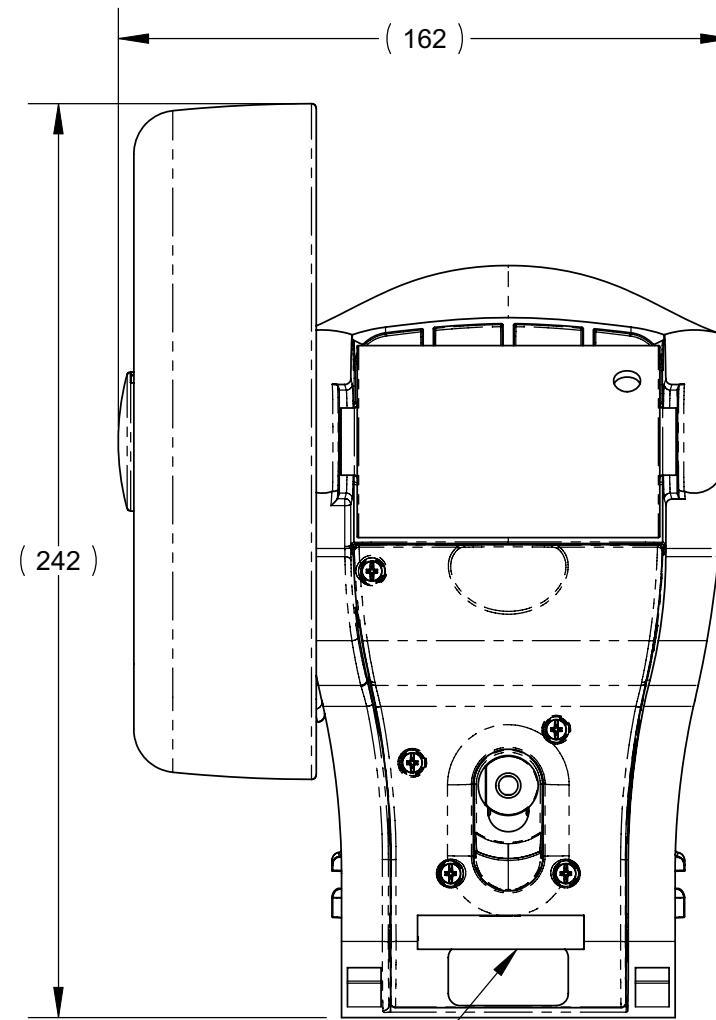
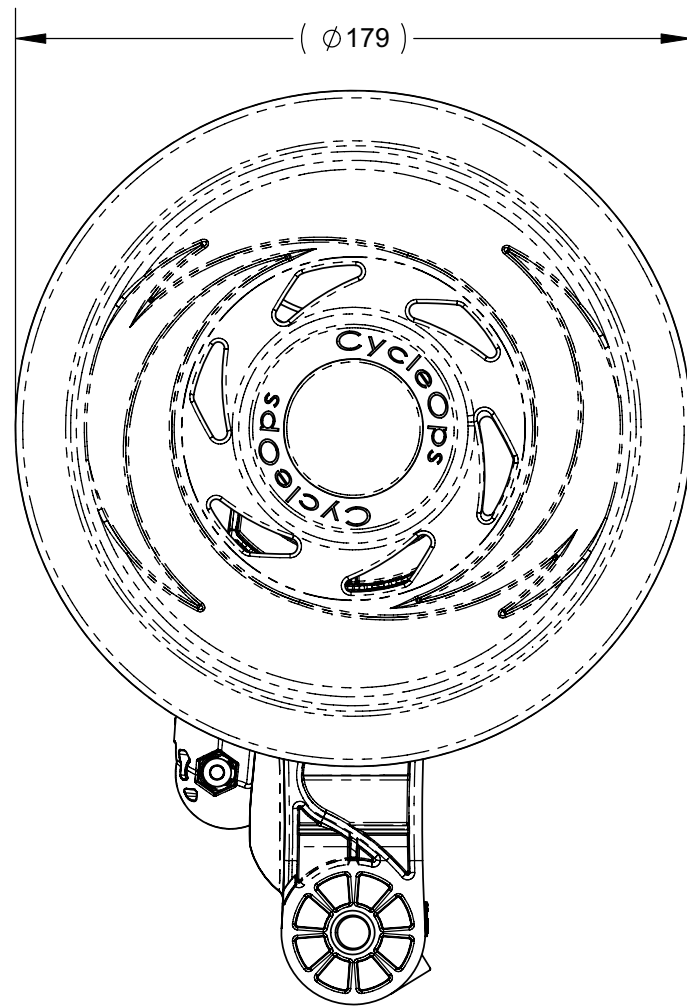
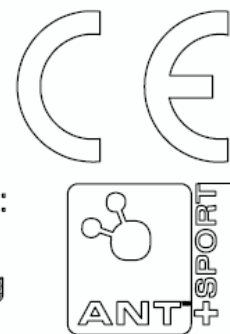


REVISIONS			
REV	DESCRIPTION	APP.	DATE



Saris Cycling Group, Inc.  
 Model #: PowerBeam  
 Contains FCC ID: T8P-SL24TT1 IC: 6459A-SL24TT1  
 "This device complies with Industry Canada and Part 15 of the  
 FCC Rules. Operation is subject to the following two conditions:  
 (1) This device may not cause harmful interference, and  
 (2) this device must accept any interference received, including  
 interference that may cause undesired operation."



VENDOR REPRESENTATIVE:		DATE:	
UNLESS OTHERWISE SPECIFIED DIMENSIONS ARE IN IMPERIAL TOLERANCES ARE:		CAD GENERATED DRAWING. DO NOT MANUALLY UPDATE DIMENSIONING PER ASME Y14.5M 1994 DO NOT SCALE DRAWING	
<b>IMPERIAL:</b>		APPROVALS	DATE
X" = .250		DRAWN <b>M. DAHL</b>	7/16/07
.X" = .060			
.XX" = .020		CHECKED	
.XXX" = .005		RESP ENG	
ANGLES ±1°		MFG ENG	
		PROD. REP.	
MATERIAL:  <b>SEE BILL OF MATERIAL</b>		FINISH:  <b>NONE</b>	

**SARIS CYCLING GROUP**  
 5253 VERONA RD., MADISON WI 53711  
 1-800-783-7257 / 1-608-274-1702  
 WWW.SARIS.COM

THE INFORMATION CONTAINED IN THIS DRAWING IS THE SOLE PROPERTY OF  
 SARIS CYCLING GROUP ANY REPRODUCTION IN PART OR WHOLE WITHOUT  
 THE WRITTEN PERMISSION OF SARIS CYCLING GROUP IS PROHIBITED.

**TITLE:**  
**RESISTANCE UNIT, ELECTRONIC  
 FCC DECAL INFORMATION**

SCALE: **1:2** SIZE: **B** DWG. NO. **17000** REV.

CAD FILE:  SHEET **1** OF **1**