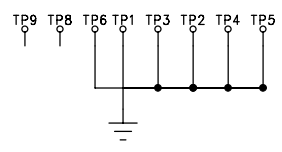
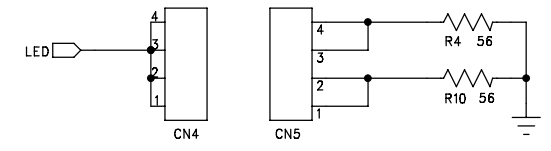
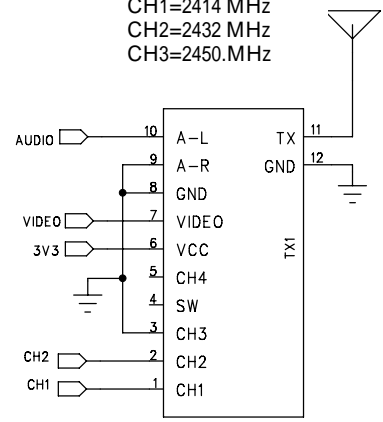


CH1=2414 MHz
 CH2=2432 MHz
 CH3=2450.MHz



DIT ELECTRONIC (HK) CO.,LTD			
MODEL	SB-102	SHEET	2 OF 2
DESIGN	ALICK	VERSION	00
CHECK		FILE	camera
APPROVAL		DATE	2006.2.20