

COMTELCO

Technical Specification

B36247, B36247V, B36247SM, B36247HDSM

2400-2500 MHz 7.5 dBi

2.4 GHz PANEL ANTENNA

Performance: Directional antenna for the 2400 thru 2500MHz band providing 7.5 dBi gain.

Stylish and Durable: These antennas are manufactured using the finest materials available. They provide great performance in a stylish package. All the plastic parts are molded using UV inhibited ABS material.

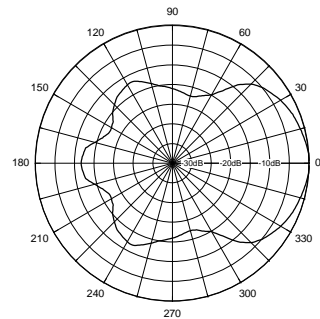
Mounting: Multiple mounting options are available. These include standard Slip mount, V-Bolt with V-Block, Indoor swivel mount and Heavy duty outdoor universal swivel mount.

SPECIFICATIONS:

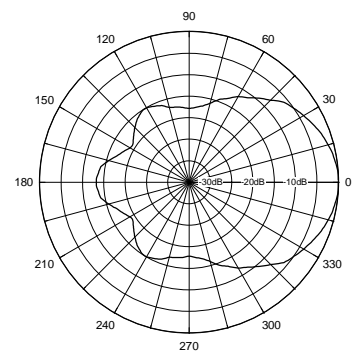
FREQUENCY RANGE:	2400-2500MHz
GAIN:	7.5 dBi (5.5 dBd)
FRONT TO BACK:	20dB
VSWR:	1.5:1
VERT BEAM WIDTH:	50°
HORIZ BEAM WIDTH:	65°
POLARIZATION:	Vertical
IMPEDANCE:	50 ohms
POWER RATING:	100 watts
RADOME:	ABS, UV
COLOR:	Off white
TERMINATION:	"Direct "N"
THICKNESS:	1 1/2"
MOUNTING:	Standard Slip Mount
-V	V-Bolt & V-Block
-SM	Indoor swivel mount
-HDSM	Heavy duty Outdoor swivel mount
OVERALL SIZE:	4 1/2" x 4 1/2"
FLAT PLATE AREA:	.1406 ft ²
WIND RATING:	125 MPH
WIND LOAD:	9.5 lbs.



Horizontal Pattern



Vertical Pattern



COMTELCO

Technical Specification

BS2400XL3

2.4-2.5GHz, 5dBi Gain

OMNI ANTENNA

Reliable Performance: Rated at 250 watts, you can expect years of continuous service.

Rugged Construction: The radiating elements are supported internally and constructed of copper alloy. They are then encased in a fiberglass radome for total environmental protection.

Elegant and Weatherproof: The fiberglass radome is ultraviolet inhibited. The heavy wall aluminum mounting sleeve is epoxy powder coated for superior weather protection.

Lightweight: These antennas are lightweight at less than 3 lbs.

Simple Installation: These antennas are terminated with an N type female connector or an optional pigtail.



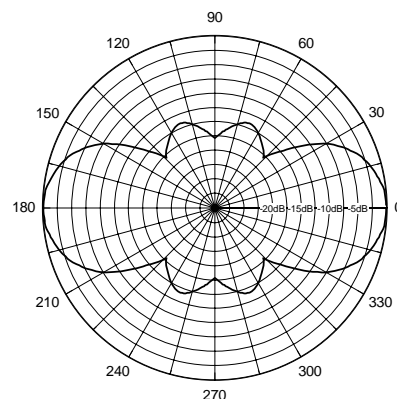
ELECTRICAL SPECIFICATIONS:

FREQUENCY:	2400-2500MHz
GAIN:	5dBi (3dBd)
VERT BEAMWIDTH:	40°
BANDWIDTH:	100MHz @ <2.0:1
POWER RATING:	250 watts
IMPEDANCE:	50 ohms

MECHANICAL SPECIFICATIONS:

RADIATOR:	Internal copper alloy elements
RADOME:	1" dia. white UV fiberglass
OVERALL LENGTH:	15"
TERMINATION:	Female "N"
MOUNTING SLEEVE:	1.35" X 3 1/2"
WEIGHT:	2 lbs
FLAT PLATE AREA:	.0825 ft ²
WIND RATING:	125 MPH
LATERAL THRUST:	5.6 lbs.

Vertical Pattern



Wideband Ceiling Mount Omnidirectional Antenna

The MC2400PT wideband omnidirectional ceiling mount antenna is designed to cover frequencies from 2300 to 2500 MHz with a VSWR of less than 1.35:1 across the band. This antenna provides a low profile ceiling mount solution for indoor applications

requiring minimum visibility.

It includes a 12" pigtail that can be fitted with a wide variety of connector options. It can be easily mounted to drop ceiling tiles or to a solid ceiling surface where cable routing access is available.

Features and Benefits:

- Attractive, low profile housing. Blends well in office environments and other locations where aesthetic considerations are important.
- UL listed materials and cable. Meets strict safety specifications.
- Single hole stud mount or optional side cable exit option. Easy to install on standard ceiling tiles or solid ceiling surfaces.
- Includes side cable exit adapter for solid ceiling mounting.
- Excellent value: superior performance at a competitive price.



MC2400PT

General Specifications:

Polarization:
Vertical, linear

Nominal Impedance:
50 Ohms

Radome Housing:
UL listed plastic

Mounting Method:
Stud mount, single hole.
Includes side cable exit adapter for solid ceiling mounting.
Above ceiling tile mounting bracket is available for applications requiring no visibility of the antenna (sold separately as part #MACM).

Connector Options:

(add connector part number after the PT prefix)
Example: MC2400PTNF (model MC2400PT with N, female connector)
BNC, Male (part #BN)
N, Female (part #NF)
N, Male (part #NM)
Female SMA (part #FSMA)
Male SMA (part #MSMA)
Female SMA, reverse threaded (part #FSMART)
Male SMA, reverse threaded (part #MSMART)
Reverse Polarity TNC Plug (part #MRPC)
TNC, Male (part #C)
Female FME (part #FFME)

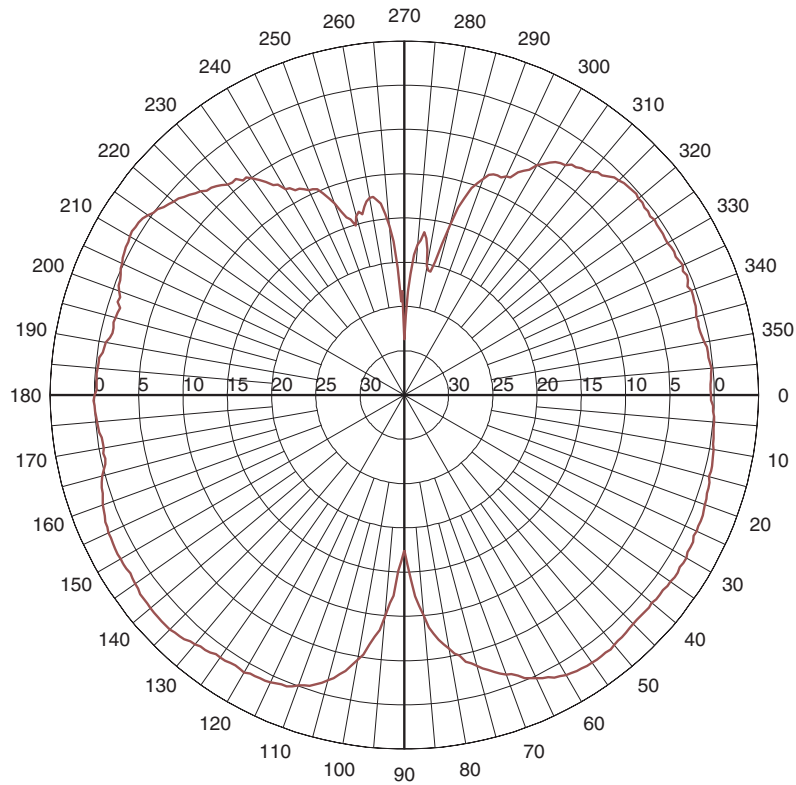
2.3-2.5 GHz Wideband

Electrical Specifications

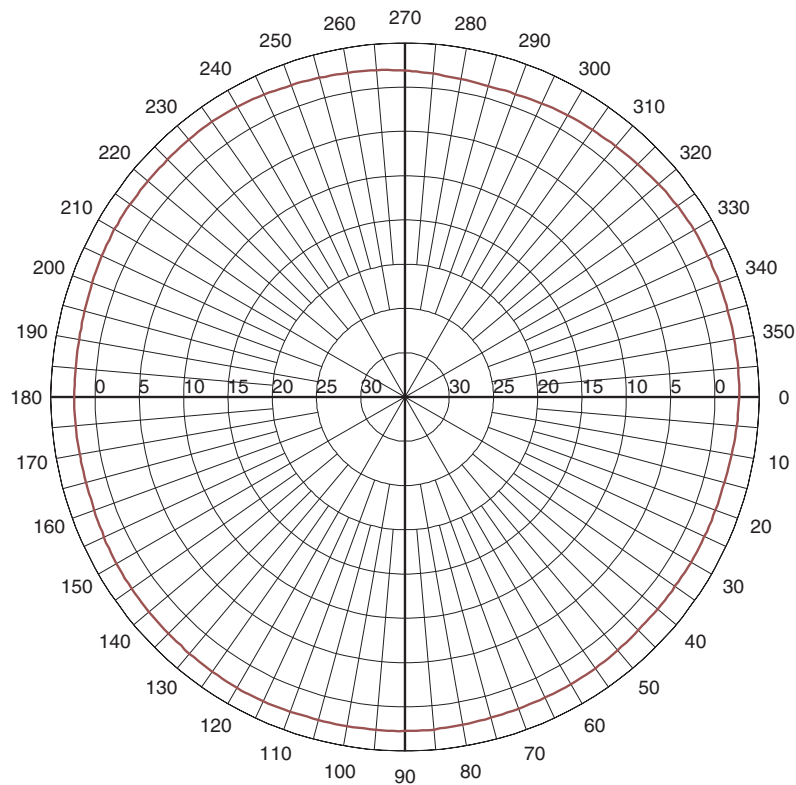
Model #	Frequency Range	Gain	VSWR across the Band	Maximum Power Input	Connector
MC2400PT	2300-2500 MHz	2.5 dBi	< 1.35:1	50 Watts	Various options

Mechanical Specifications

Model #	Temperature Range	Dimensions	Weight	Cable
MC2400PT	-40°C to +80°C	4.25" OD x 0.5" D 10.8 x 1.27 cm	8 oz. (0.23 kg)	12" (30.5 cm) Plenum RG58/U



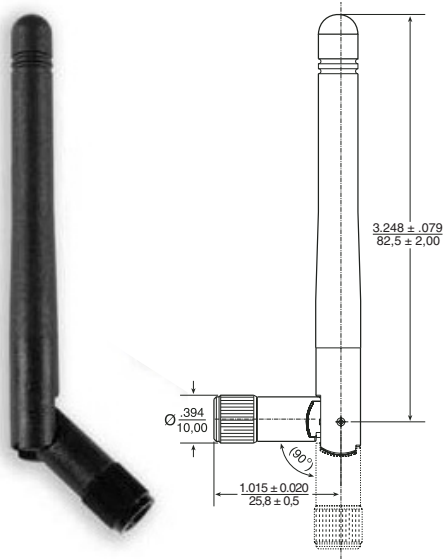
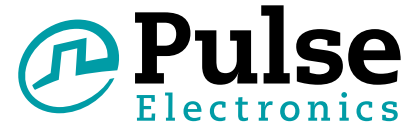
MC2400PT Elevation Cut



MC2400PT Azimuth Cut

Wireless External Antenna for 2.4 GHz Applications

Pulse Part Number W1030



Features

- Shortest antennas in product line
- For WLAN devices using WiFi (802.11b/g), Bluetooth® and ZigBee™
- Omni-directional radiation pattern provides broad 360° coverage
- One-quarter wavelength dipole configuration
- Connection options easily integrate with OEM designs

Connector

- Reverse SMA (Male)*
- SMA (Male)

** Default Configuration - Please contact Pulse Applications Engineering for assistance in ordering connectors*

Weight 6.3 grams
 Carton 20/bag, 500/carton

Dimensions [in / mm]

Unless otherwise specified, all tolerances are ± .010 / 0.25

Electrical Specifications @ 25 °C

Note: This part number is lead-free and RoHS compliant. No additional suffix or identifier is required

Part Number	Frequency [GHz]	Gain [dBi]	Impedance [Nom]	VSWR	Polarization	Electrical Length	Radiation
W1030	2.4 - 2.5	2.0	50 Ω	≤2.0	Vertical	1/4, dipole	Omni

Wireless External Antenna for 2.4 GHz Applications

Pulse Part Number W1030

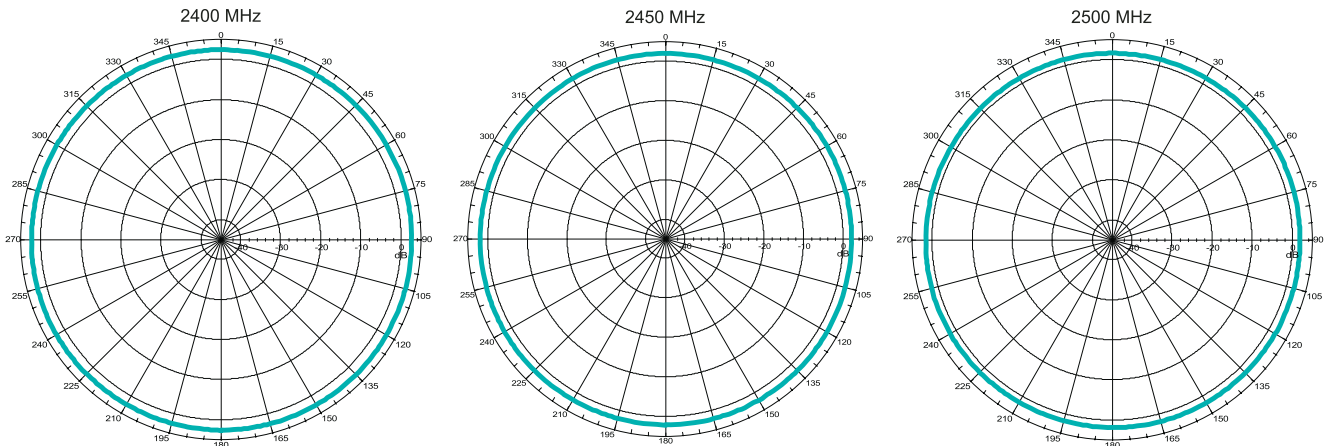
Application Notes

Omni-directional antennas provide a uniform, donut-shaped, 360° radiation pattern. The omni-directional pattern is suitable for point-to-multipoint broadcasting in all directions. The antenna is primarily used for

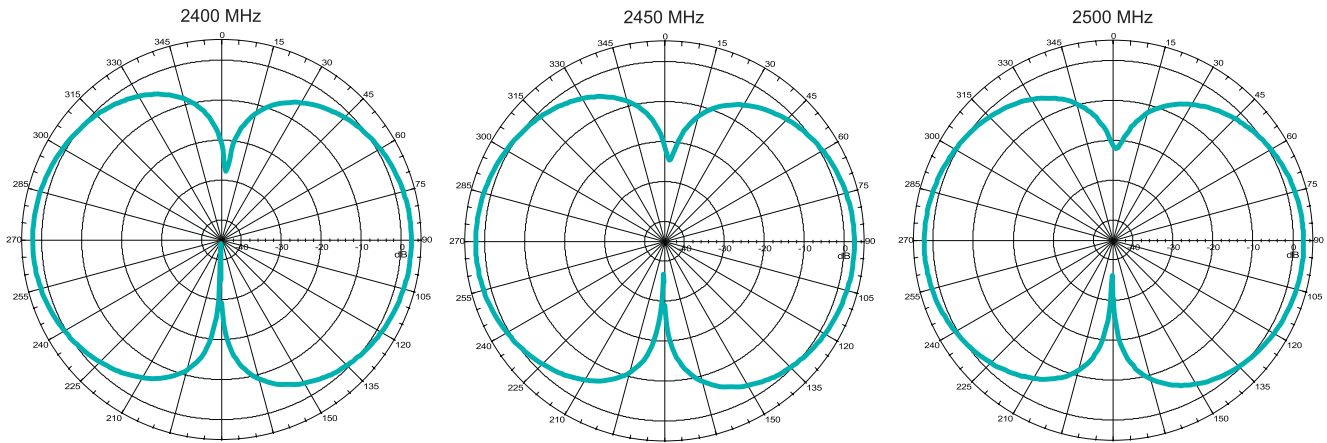
WLAN applications. However, it can also be used for a variety of other applications within the specified frequency range. When used as an access point, the antenna is ideally located at the center of the coverage area.

Gain Performance W1030

Horizontal Position



Vertical Position



For More Information

Pulse Worldwide Headquarters

12220 World Trade Drive
San Diego, CA 92128
U.S.A.

Larsen Brand Antennas

3611 NE 112th Avenue
Vancouver, WA 98682
USA

Europe Headquarters

Pulse GmbH & Co. KG
Zeppelinstrasse 15
Herrenberg
Germany

Asia Headquarters

B402, Shenzhen Academy of
Aerospace Technology Bldg,
10th Kejian Road, High-Tech Zone
Nanshan District, Shenzhen, PR China 518057

Pulse North Asia

3F, No. 198, Zhongyuan Road
Zhongli City, Taoyuan County 320
Taiwan R. O. C.

Pulse (Suzhou) Wireless Products Co., Inc.

99 Huo Ju Road, (#29 Bldg, 4th Phase)
Suzhou New District
Science & Tech Industrial Park
Jiangsu Province, Suzhou 215009 PR China

Tel: 858 674 8100
Fax: 858 674 8262

Tel: 360 944 7551
Fax: 360 944 7556

Tel: 49 7032 7806 0
Fax: 49 7032 7806 135

Tel: 86 755 33966678
Fax: 86 755 33966700

Tel: 886 3 4356768
Fax: 886 3 4356823

Tel: 86 512 6807 9998
Fax: 86 512 6809 8023

Performance warranty of products offered on this data sheet is limited to the parameters specified. Data is subject to change without notice. Other brand and product names mentioned herein may be trademarks or registered trademarks of their respective owners. © Copyright, 2014, Pulse Electronics, Inc. All rights reserved.