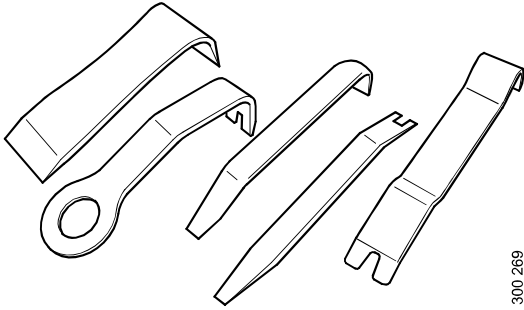


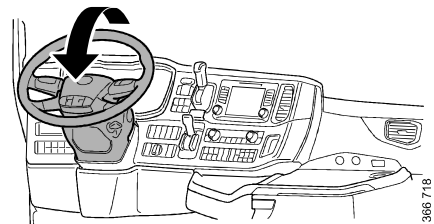


## 16-15 E130, infotainment system Removal - E130, AUS4

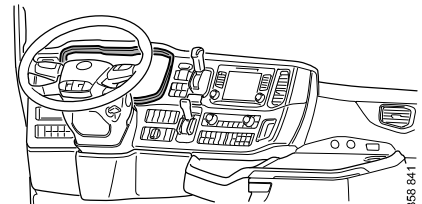
### Tools

Number	Designation	Illustration	Tool board
588 390	Plastic removal tools, 5 parts		N/A

1. Lower the steering wheel.

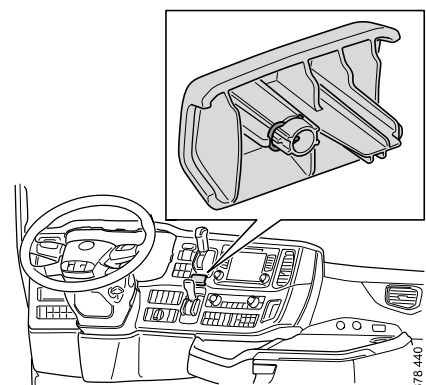


2. Remove the frame around the instrument cluster. The frame is attached with panel studs.



3. **For vehicles equipped with an interlock valve:**

Remove the interlock valve casing.

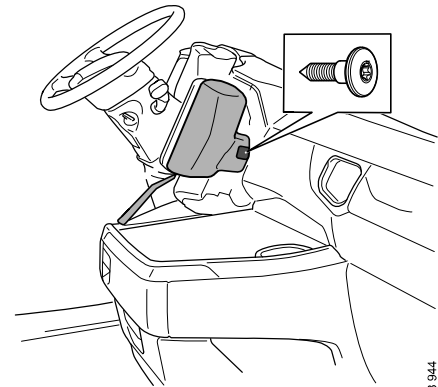




- 4. On vehicles equipped with an additional instrument panel module, you must first remove the casing for this additional instrument panel module:**

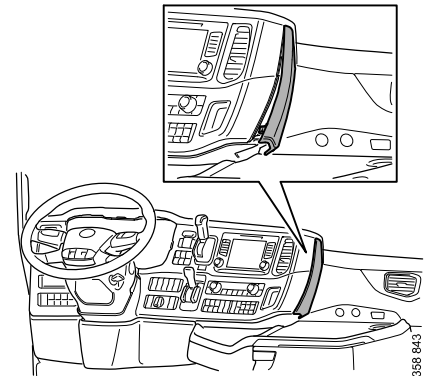
Remove the screw.

The casing for the additional instrument panel module is secured with a latch hook at the bottom edge. Remove the additional instrument panel module casing. Use *588 390 Plastic removal tools, 5 parts*.



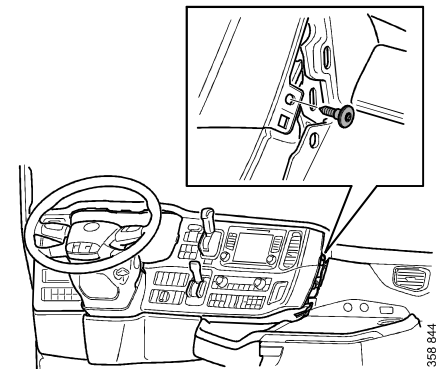
388 944

- 5. Remove the panel.**



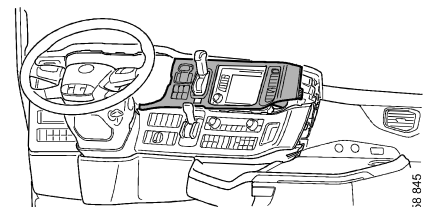
388 843

- 6. Remove the screw.**



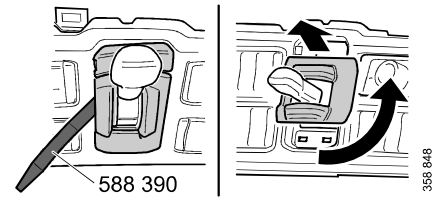
358 844

- 7. Remove the upper switch panel. Detach from right to left.**

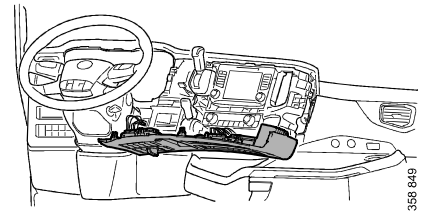


358 845

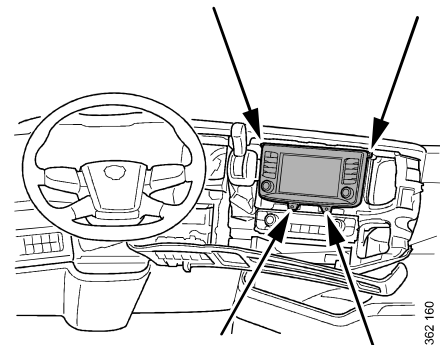
8. Remove the casing around the parking brake valve lever.



9. Remove the lower switch panel and fold down the panel without undoing the harness-to-component connectors.



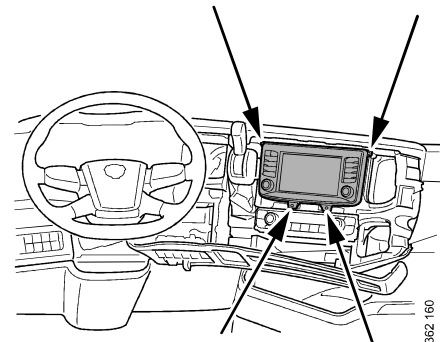
10. Remove the screws.



11. Move the infotainment system straight out and disconnect the connector and the antenna.

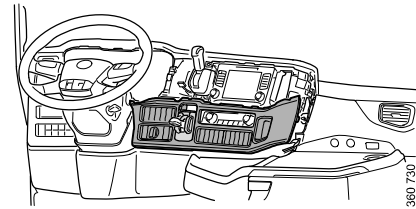
## Fitting - E130, AUS4

1. Fit the connector and the antenna to the infotainment system, and push the infotainment system into place.
2. Fit the screws.

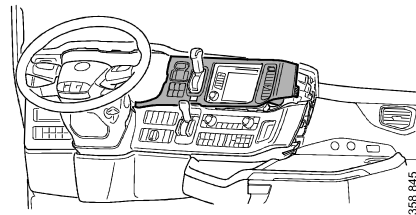




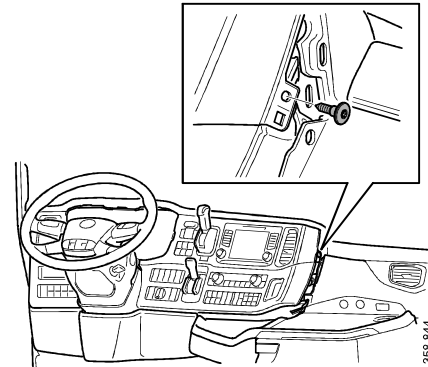
3. Fit the lower switch panel and the casing around the parking brake valve lever.



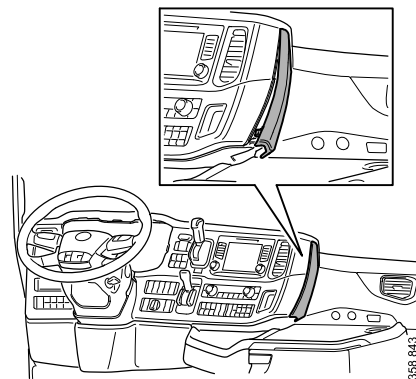
4. Fit the upper switch panel.



5. Fit the screw.

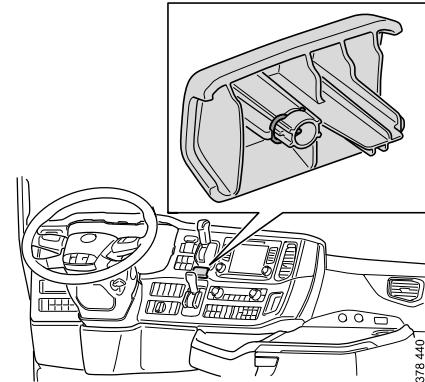


6. Fit the panel.

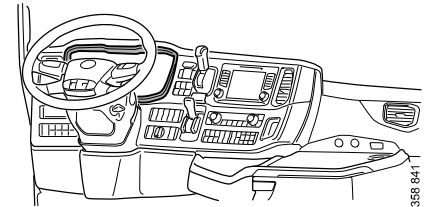


**7. For vehicles equipped with an interlock valve:**

- Fit the clamp in the interlock valve casing.
- Fit the casing.



**8. Fit the frame around the instrument cluster.**



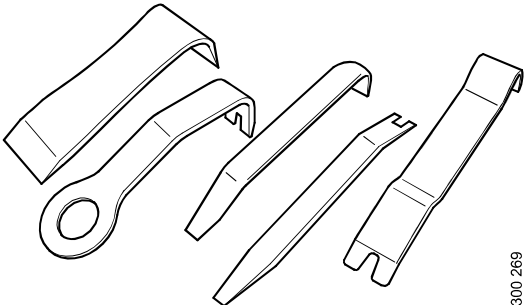
**9. Fold back the steering wheel.**

**10. Carry out spare parts programming of the control unit using SDP3.**



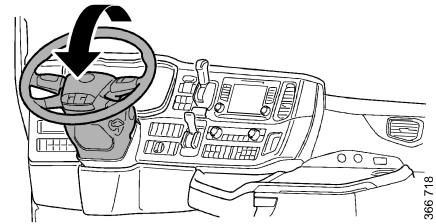
## Removal - E130, AUS4

### Tools

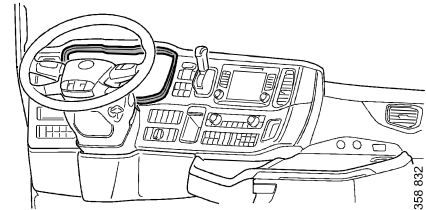
Number	Designation	Illustration	Tool board
588 390	Plastic removal tools, 5 parts	 <p>300 269</p>	N/A



1. Lower the steering wheel.



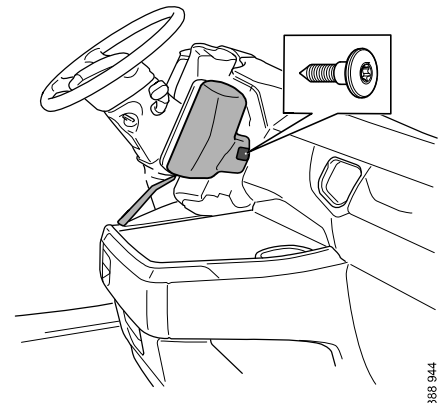
2. Remove the frame around the instrument cluster. The frame is attached with panel studs.



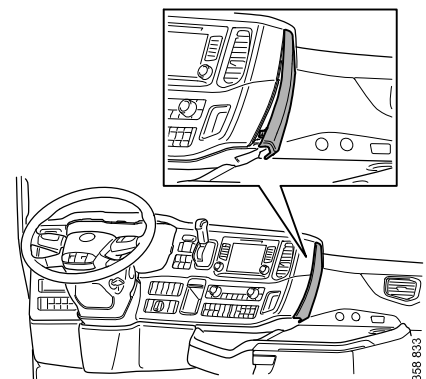
3. **On vehicles equipped with an additional instrument panel module, you must first remove the casing for this additional instrument panel module:**

Remove the screw.

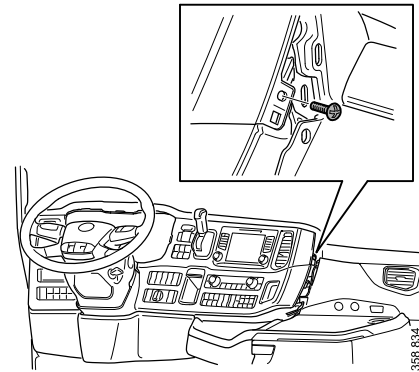
The casing for the additional instrument panel module is secured with a latch hook at the bottom edge. Remove the additional instrument panel module casing. Use *588 390 Plastic removal tools, 5 parts*.



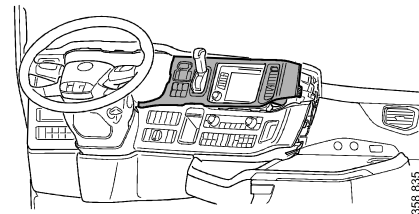
4. Remove the panel.



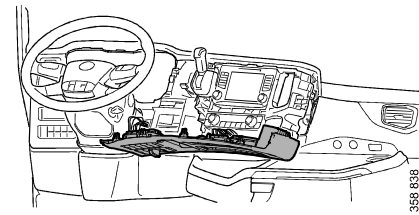
5. Remove the screw.



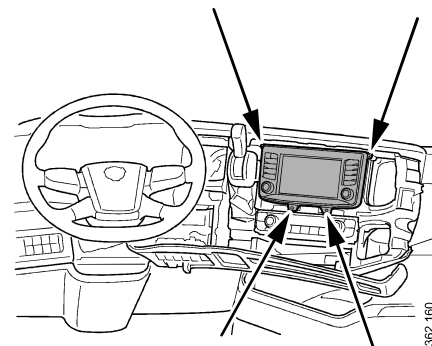
6. Remove the upper switch panel. Detach from right to left.



7. Remove the lower switch panel and fold down the panel without undoing the harness-to-component connectors.



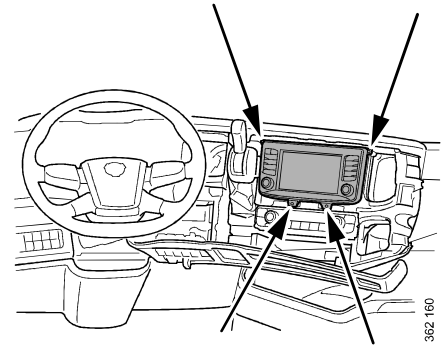
8. Remove the screws.



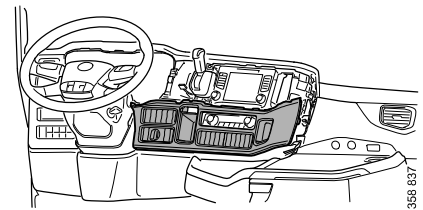
9. Move the infotainment system straight out and disconnect the connector and the antenna.

## Fitting - E130, AUS4

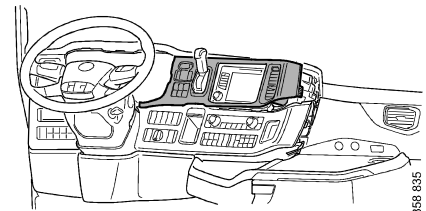
1. Fit the connector and the antenna to the infotainment system, and push the infotainment system into place.
2. Fit the screws.



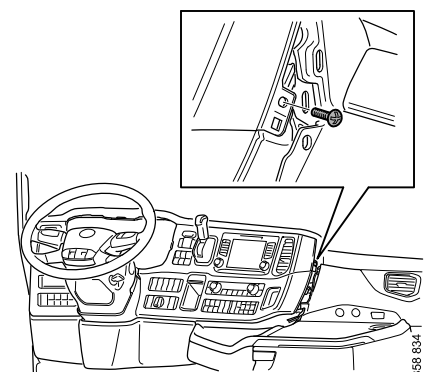
3. Fit the lower switch panel.



4. Fit the upper switch panel.

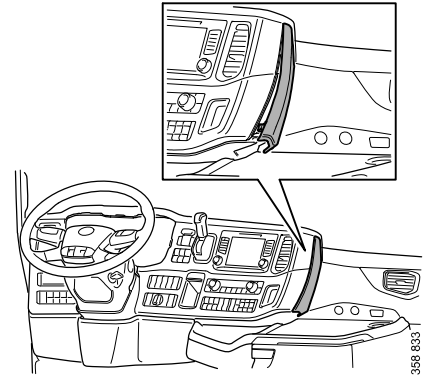


5. Fit the screw.

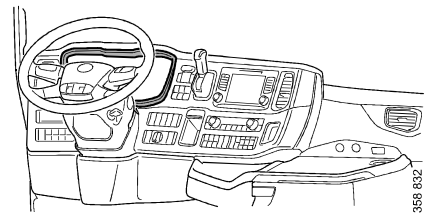




6. Fit the panel.



7. Fit the frame around the instrument cluster.



8. Fold back the steering wheel.
9. Carry out spare parts programming of the control unit using SDP3.

