

US Telecody Keypad Transmitter

⚠ WARNING

There is a possible risk of injury or death if safety instructions will not be observed.

Please read and follow all instructions in this manual as well as the information for each receiver you are planning to operate with this device.

Please share this important information with other users.

No modifications to this device are permissible.

Modifications performed to this device other than described in this manual or granted by the manufacturer, will result in the loss of the operating license.

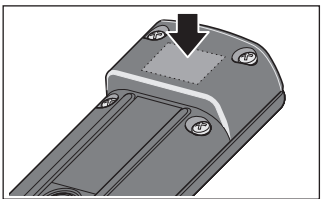
This device complies with FCC rules part 15. The operation of this device is subject to the following conditions:

- This device may not cause harmful interference, and
- This device must accept any interference received, including interference that may cause undesired operation.

Use only original equipment manufacturer (OEM) parts and accessories as well as fixing supplies.

Do not expose this device to a power pressure washer or to a water hose as water may penetrate into the interior and damage or destroy this device.

Serial number label



On the outside of the Telecody – Keypad is a label which indicates the serial number. The factory preprogrammed access codes (see chapter "programming access codes") can only be deleted by using this serial number. Otherwise the transmitter needs to be returned to the factory for the deletion of these access codes.

Information! Keys ● and ○ cannot be programmed as part of the access code.

Example: Programming an access code for key/command 3

- ▶ Press **P**
- ▶ Press key # **3**
- ▶ Press **P**
- ▶ Enter block one of the access code: Press key # **3**
- ▶ Enter block two of the access code, for example a birth date 8.12.1967 (max. seven digits) **8 1 2 1 9 6 7**
- ▶ Press **P**
- ▶ LED 1 + 2 will light up for two seconds, indicating that the programming process is completed.
- ▶ To verify correct code, enter an correct code: Enter **3 8 1 2 1 9 6 7** LED 1 will light up for one second.

Programming additional codes

▶ Repeat step "Programming (learning in) the transmitter with the receiver" and step "Programming the access code".

Note: Each code must start with a different starting number!

Changing the access code

For example changing access code for key # **3**

- ▶ Press **P**
- ▶ Enter current access code: **3 8 1 2 1 9 6 7**
- ▶ Press **P**
- ▶ Enter block one of the access code: Press key # **3**
- ▶ Enter block two of the new selected access code, for example **5 5 5** (max. seven digits)
- ▶ Press **P**
- ▶ LED 1 + 2 will light up for two seconds, indicating that the programming process is completed.
- ▶ To verify correct code, enter an correct code: Enter **3 5 5 5** LED 1 will light up for 1 second.

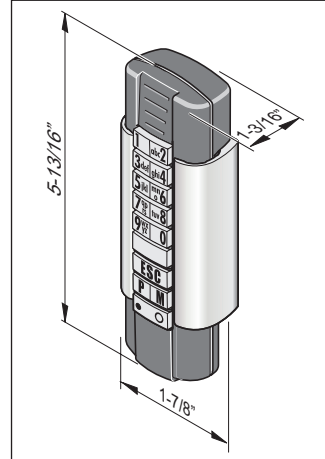
▶ Attach this label in a secure location for example: your address book or the controller housing of your operator.

Operation

The transmitter sends a signal to a receiver i.e. the garage door opener which will result in an opening and closing of the garage door. To prevent unwanted operation of the keypad it is advisable to program access codes to the transmitter.

The Telecody – Keypad was developed for the exterior operation. Simply use the included holder and attach to either a wall or to the garage door frame if available.

Technical data



Frequency
310 MHz

Operational temperature
-5°F to +130°F
(-20 °C to +55 °C)

Range
Approx. 80 ft (24 m)
(depending on surroundings)

IP Rating
IP 64

Battery (included)
Lithium CR 123 A, 3 Volt

Dimensions (incl. holder)
Height: 5-13/16" (147 mm)

Width: 1-7/8" (48 mm)

Depth: 1-3/16" (30 mm)

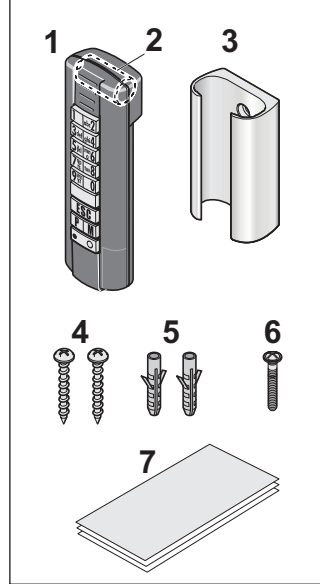
Weight (incl. battery and holder)
Approx. 6.4 oz (180 g)

Radio codes
12 different codes (10 codes with programmable access codes and 2 without)

Scope of delivery

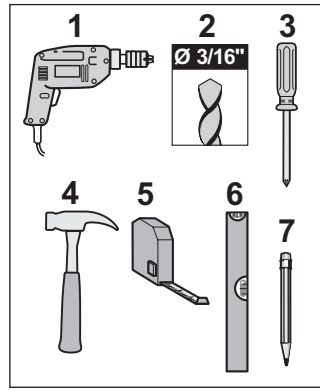
Please check package contents. In case something is missing, please contact your dealer who will be happy to assist.

Please do dispose packaging according to your local waste regulations.



- Transmitter assembled
- Battery (already inserted)
- Holder (attach to either a wall or to the garage door frame if available)
- 2 screws to mount the holder
- 2 anchors 3/16" (Ø 6 mm)
- 1 screw to attach the transmitter to the holder
- 1 installation and operating manual

Required tools



- Hammer Drill
- Drill bit for masonry
- Phillips screwdriver (medium)
- Hammer
- Measuring/Tape
- Level
- Pencil

Installation and installation requirements

⚠ WARNING

There is a possible risk of injury or death if safety instructions will not be observed. The transmitter shall only be installed if the following installation requirements are given.

For the installation, choose an easy accessible location within the transmitter range. The distance from the ground needs to be at least 5' (1.50 meter) to prevent that children could play with the transmitter.

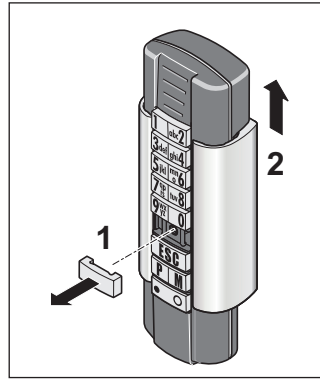
Mount the holder on a flat surface.

To control a door opener or gate operator with the transmitter, please select the installation location as follows:

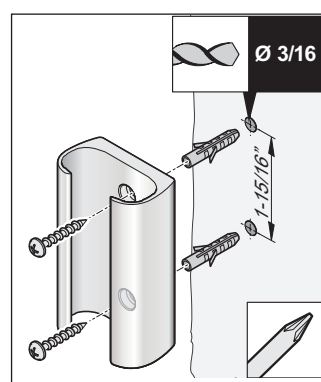
- away from the door and the operator mechanics
- whoever is using the device, needs to have a clear view to the garage door
- that the user will be able to be outside of the door and the operator mechanics while using the transmitter.

Installation

The transmitter incl. the holder can be mounted by using the included fixing supplies to either wood or brick.



▶ Remove the cover (1) and slide the transmitter out of the holder.



▶ Mark two mounting point in a distance of 1-15/16" (50 mm) apart in a vertical line.

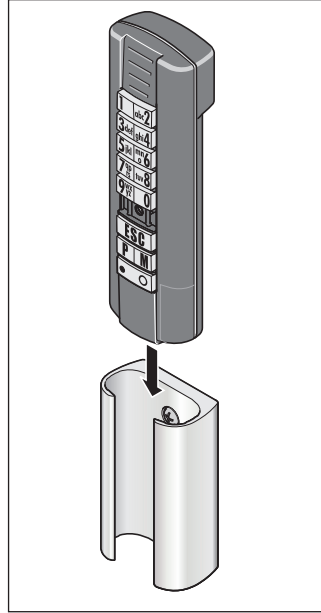
⚠ WARNING

There is a risk of injury from flying chips when drilling. Drill chips could get into the eyes and cause injury to the eyes.

Make sure to always wear safety glasses when drilling.

▶ Drill two holes by using a masonry drill bit 3/16" (Ø 6 mm) and insert two anchors 3/16" (Ø 6 mm) into the holes.

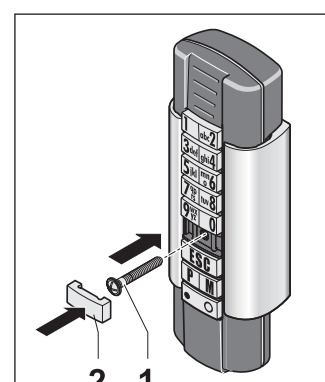
▶ Mount the actual holder by using two screws to the wall.



⚠ WARNING

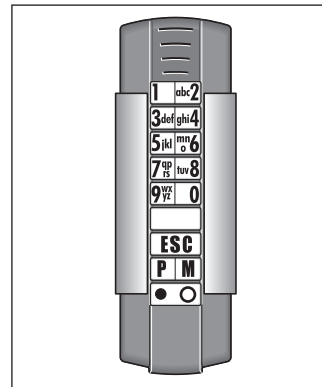
When sliding the transmitter back into the holder, there is a possible risk of squeezing or abrasion to the hand.

▶ Slide the transmitter carefully from the top into the holder until it stops.



▶ Attach the transmitter with a screw (1) and clip the cover (2) onto the transmitter.

Function of buttons



0-9 (a-z) – digits- (letters) keys
- Sending command¹⁾
- Enter access code²⁾

ESC – Cancel- /Delete button
- Active time³⁾
- Cancel the command

P – Programming button
- Change access code
- Reset device back to factory settings (in combination with the M-Button)

M – Programming button
- Remove locking of button
- Turn on/off the active time
- Reset device back to factory settings (in combination with the P-Button)

● – Dot button
- Send command without access code
- Turn on keypad illumination

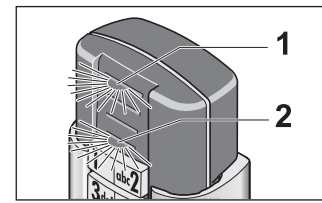
○ – Circle button
- Send command without access code
- Turn on keypad illumination

1) The transmitter sends a radio signal to a receiver i.e. the garage door operator which will result in opening and closing of the garage door. The transmitter has 12 radio commands. (0...9, 10 =>0, 11 ●, 12 => ○) which can be transmitted by pressing one of the buttons.

2) The access code is an encrypted code. The transmitter will only send the command if the correct code is entered.

3) The active time is a time gap for transmitting the previous entered code again by using any of the digit-keys.

LED Indicators



LED – Red (1)

- Lights up = Signal gets transmitted
- Lights blinking = Error-/Reset-Message
- Lights blinking while transmitting = Battery needs to be replaced

LED – Yellow (2)

- Lights briefly = Confirms button entry
- Lights blinking = Reset-Message, active time, transmitting delay
- Lights blinking briefly = Transmitter is locked

LED 1 + 2

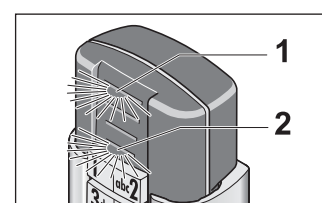
- Lights up for two seconds = Program access code / Deletion of all access codes, Turn on/off the active time
- Light is alternate blinking for 20 seconds = Buttons are locked

Programming (learning in) the transmitter with the receiver

Removing the key lock

At the time of delivery, the buttons of the transmitter have been locked to prevent unwanted activation during the transport. Prior to the first operation (one time only) the buttons need to be unlocked:

▶ Press **M** button for five seconds.



LED blinks three times after that LED 1 + 2 will light up for two seconds. The buttons are now unlocked.



Learn Radio Power Status Safety

▶ Press learn button (1) on the receiver. Please refer to the installation manual of the receiver, i.e. "synoris 550/800", how to program a garage door opener.

▶ Press selected key (0...9) on the transmitter. The code has been programmed on this button.

The code will from now on be transmitted on the selected key.

Programming the access code

For security reasons, each radio command (keys 0...9) requires an additional access code to prevent unauthorized operation.

Each access code consist out of two parts with a maximum of 8 digits.

Block 1 (digit 1)

→ Selected radio command (keys 0...9)

Block 2 (digits 2...8)

→ Choose your code combination

Example for a radio combination:

3 8 1 2 1 9 6 7

3 = part one (digit 1)

8 1 2 1 9 6 7 = part two (digits 2...8) maximum of seven digits

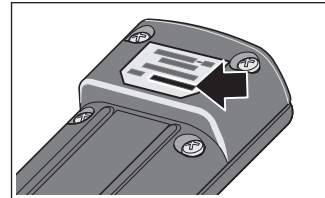
Information! Instead of numbers it is also possible to remember the access code using letters or words, for example "Telecody" which would be:

8 3 5 3 2 6 3 9

Deleting the access code

In this step all access codes will be deleted and reset back to factory settings. No access codes are programmed only radio commands (0...9, ● and ○).

- ▶ Press **M**
- ▶ Press **P**



▶ Enter reset code (9 digits), see serial number label

- ▶ Press **M**
- ▶ Press **P**

All access codes are now deleted.

LED 1 + 2 will light up for two seconds.

Operation

⚠ WARNING

There is a possible risk of injury or death if safety instructions will not be observed.

Please take notice of all information before using the device.

Please read and follow all instructions in this manual as well as the information for each receiver you are planning to operate with this device.

Only use this transmitter if you have a clear and direct view to the receiver i.e. Garage Door and only if no persons or objects are in the area of door movement.

Turning on/off keypad illumination

▶ Press key ● or ○.
The light will turn off automatically after a preset time.

Sending radio command

Requirement: The transmitter has been previously programmed (learned in).

If no access code has been previously programmed:

▶ Press corresponding key (0...9, ●, ○). The transmitter sends the signal to the receiver i.e. garage door opener.

If access code has been previously programmed:

- ▶ Enter access code. The transmitter sends the signal to the receiver i.e. Garage Door opener.
- Information!** Only the last digit of the correct code will trigger the transmitter to send the command to the receiver and LED 1 will light up for two seconds.

Turn on/off the active time

During the active time (approx. 20 seconds) any key (except P, M, ESC) can be pressed consequently the access code will be transmitted again and the active time will start again for 10 seconds. The active time applies to all radio commands.

At the time of delivery the active time has been activated.

Turn on active time

- ▶ Press **M**
- ▶ Press ●
- ▶ Press **M**

Active time is now activated. LED 1 + 2 will light up for 2 seconds.

Turn off active time

Same procedure as "Turn On" active time.

Is active time turned on?

How can I check if the active time is turned on or off?

- ▶ Enter valid access code – radio command is send and LED 1 lights up.
- ▶ LED 2 continues to blink for 20 consecutive seconds.

Turn on/off the transmitting lag-time

The transmitting lag-time could be helpful if the travel time between transmitting the command and the opened door would be too long.

The command will be transmitted with a lag-time of 1...9 seconds. Keys 0...9, please note that key 0 translates to OFF. The transmitting lag-time applies to all radio commands.

At the time of delivery the transmitting lag-time has not been activated.

Turn on transmitting lag-time

- ▶ Press **M**
- ▶ Press ○
- ▶ Press desired transmitting lag-time (0...9)
- ▶ Press **M**

Transmitting lag-time is now programmed and LED 1+2 will light up for 2 seconds.

Turn off the transmitting lag-time

Same procedure as "Turn On" transmitting lag-time.

Replacing the battery

⚠ WARNING

Dispose battery. There is a possible risk of injury or death if safety instructions will not be observed. Please take notice of all information before working with batteries.

Keep batteries away from children as a child could play or accidentally swallow batteries.

If a battery has been swallowed, contact a doctor immediately.

Do not throw batteries into fire, as they may explode. Do not expose batteries to with water, fire or high temperatures.

Pack batteries individually to store or dispose them. Batteries should never get in contact with other metal items as this could discharge or damage the battery or lead to ignition.

Avoid short-circuits which could be caused when the positive pole (+) and the negative pole (-) are connected (for example wrapping them in aluminum foil).

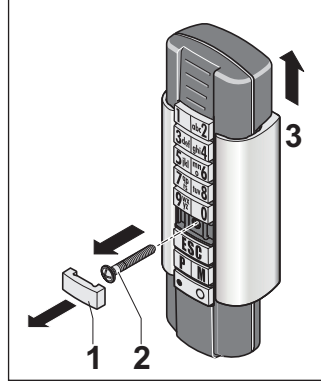
The included battery is not rechargeable.

Do not attempt to open or to recharge the battery.

Do only replace the battery with the same kind of battery as indicated in this manual.

Do not dispose battery in household waste. Dispose batteries according to your local waste regulations.

Replacing the battery

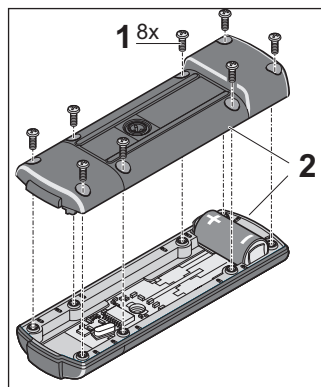


- ▶ Remove cover (1).
- ▶ Remove the screw (2).
- ▶ Slide the transmitter out of the holder (3).

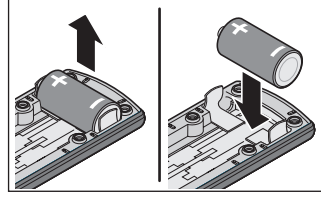
⚠ WARNING

Risk of injury when loosening and tightening screws.

When loosen or tighten screws you could lose grip and could get injured. It is best to place the transmitter on a firm surface and hold it tight instead of just holding it in your hand while loosen or tighten the screws.



- ▶ Remove all 8 screws (1).
- ▶ Separate the housing (2).



▶ Remove empty battery and replace it with a new battery (Lithium CR 123 A, 3 Volt) insert the battery in the same direction and observe correct polarity (see picture).

▶ When assembling housing back together, please make sure that it perfectly aligned.

▶ Insert screws (1) and tighten them over cross alternating like tightening wheel nuts.

Information! This procedure will assure that housing will seal properly

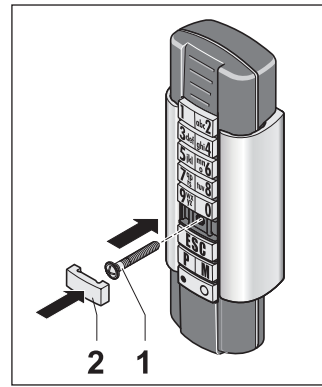
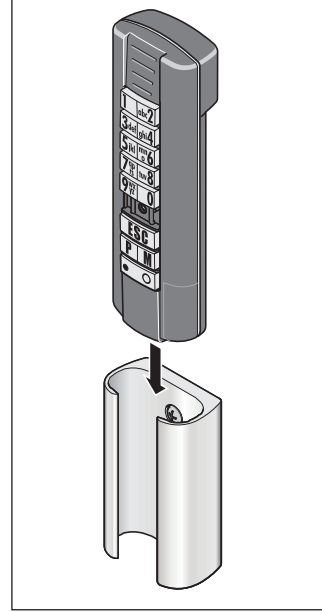
to prevent penetration of water.

⚠ WARNING

When sliding the transmitter back into the holder, there is a possible risk of squeezing or abrasion to the hand.

▶ Slide the transmitter carefully from the top into the holder until it stops.

▶ The transmitter should easily slide into the holder, if that's not the case, tighten screw (1).



▶ Tighten the transmitter with screw (1) and clip cover (2) back on.

Placing transmitter out of operation and disposal

Remove the battery before placing out of operation.

Dispose and recycle the transmitter according to your local waste regulations.

⚠ WARNING

Dispose battery. There is a possible risk of injury or death if safety instructions will not be observed.

Please take notice of all information before working with batteries.

Keep batteries away from children as a child could play or accidentally swallow batteries.

If a battery has been swallowed, contact a doctor immediately.

Do not throw batteries into fire, as they may explode. Do not expose batteries to with water, fire or high temperatures.

Pack batteries individually to store or dispose them. Batteries should never get in contact with other metal items as this could discharge or damage the battery or lead to ignition.

Avoid short-circuits which could be caused when the positive pole (+) and the negative pole (-) are

Troubleshooting

In case troubleshooting guide will not resolve the issue, please contact your dealer.

Problem	Solution
Receiver (i.e. garage door operator) does not work	Receiver has not been "learned in" Battery is empty Check if radio signal arrives at receiver → LED lights up?
Not possible to enter access code. LED 1 + 2 blinks alternate for two seconds.	Access code has been entered three times incorrectly or aborted with the ESC key. Keypad is now locked for 20 seconds.
LED 2 is blinking	Wrong access code
LED 2 is blinking: twice – break – twice	Active time in process
LED 1 is blinking when sending the access code	Battery empty
No response at all	Key lock is active, please see chapter Programming (learning in) the transmitter with the receiver. Removing the key lock." Battery empty
LED 2 is blinking with two short breaks	Transmitting lag-time in process
Not possible to enter an access code	Electrostatic discharge (ESD) caused by user → Press ESC button