

FCC ID LABEL ARTWORK

**FREEFLIGHT SYSTEMS
PROPRIETARY AND
CONFIDENTIAL**

THE INFORMATION CONTAINED
WITHIN THIS DOCUMENT IS
PROPRIETARY AND COPYRIGHT
2010. ALL RIGHTS RESERVED. IT IS
UNLAWFUL TO CREATE OR
POSSESS UNAUTHORIZED COPIES
OF THIS DOCUMENT AND/OR ITS
ATTACHMENTS.

REVISIONS

REV	DESCRIPTION	DATE	APPROVED
A	INITIAL RELEASE PER NPR	3/28/11	RW
A1	REV PER ECN F11007	4/19/11	RW
A2	REV PER ECN F11024	9/8/11	RW

2.40

FDL-978-TX
 P/N:
 DOM: MM/DD/YYYY
 WT: 0.8 LBS.
FCC ID: T7YFDL978XXXX

WACO, TX USA
76706-3756

S/N:

MOD:

TSO-C154C (LEVEL C)

.62

NOTES:

1. MATERIAL METALIZED POLYESTER FFS PN# 81620
2. LABEL SHALL HAVE A BLACK IMAGE ON A NATURAL BACKGROUND
3. PRINT ON BRADY THERMAL TRANSFER PRINTER OR EQUIVALENT
 FILENAME: 86912a1.LAB
4. SERIAL NUMBER FORMAT PER 85855-DP

		UNLESS OTHERWISE SPECIFIED:		NAME	DATE
		DIMENSIONS ARE IN INCHES AND APPLY AFTER FINISH		DRAFTER	R.RANDANT 9/8/11
		TOLERANCES:		CHECKER	R.WARD 9/8/11
		X ± .1		ENGINEER	R.RANDANT 9/8/11
		.XX ± .02 ANG		QUALITY	M.JESSUP 9/8/11
		.XXX ± .005 ± 1 DEG			
		CAGE CODE:			
		1WAN0			
85595-00	RANGR				
NEXT ASSY	USED ON				
APPLICATION		DO NOT SCALE DRAWING			

**FREEFLIGHT
SYSTEMS**

TITLE: LABEL ASSY, FDL-978-TX

SIZE	DWG. NO.	REV
B	86912	A2

SCALE: 3:1
WEIGHT:
SHEET 1 OF 1

LABEL LOCATION

**FREEFLIGHT SYSTEMS
PROPRIETARY AND
CONFIDENTIAL**

THE INFORMATION CONTAINED
WITHIN THIS DOCUMENT IS
PROPRIETARY AND COPYRIGHT
2010, ALL RIGHTS RESERVED. IT IS
UNLAWFUL TO CREATE OR
POSSESS UNAUTHORIZED COPIES
OF THIS DOCUMENT AND/OR ITS
ATTACHMENTS.

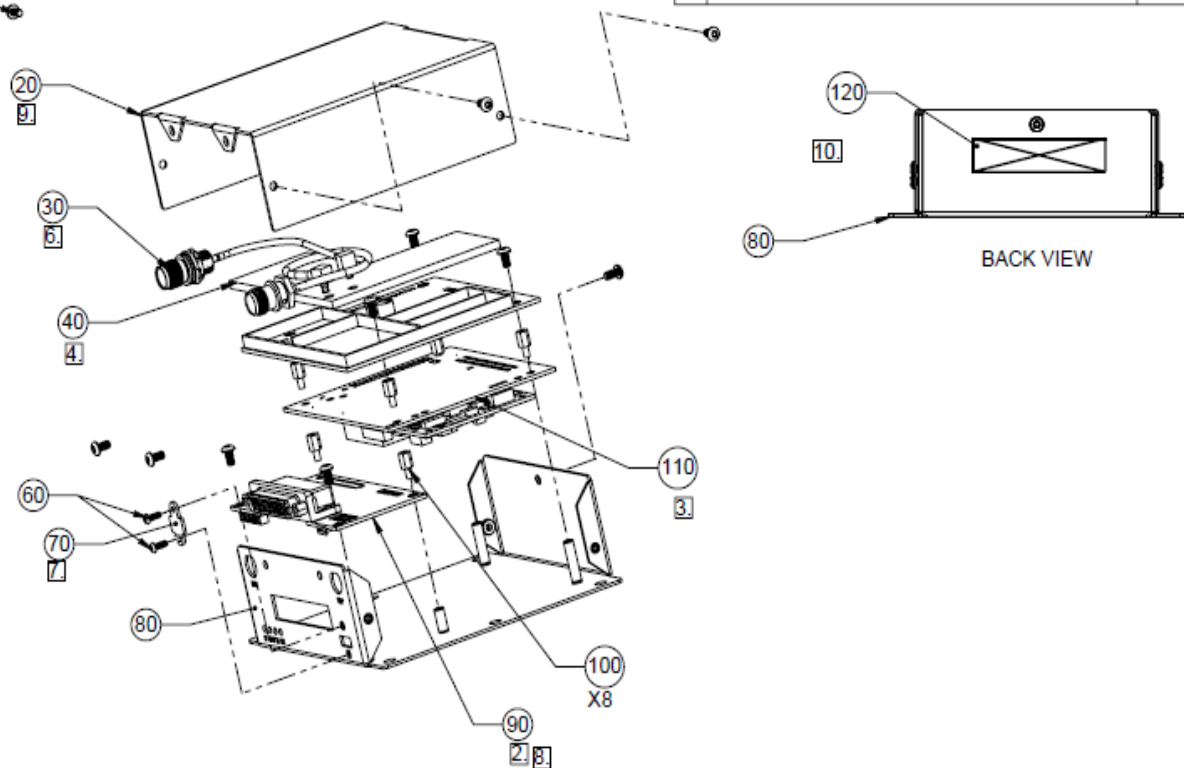
REVISIONS

REV	DESCRIPTION	DATE	APPROVED
A	INITIAL RELEASE PER ECN F11007	4/19/11	RW
B	REV PER ECN F11014	5/18/11	RW
C	REV PER ECN F11023	8/24/11	RW

10
X13

NOTES: UNLESS OTHERWISE SPECIFIED

- 1 Assemble using 85595-00 (BOM) and 85595-00-AD dwg.
- 2 Mount Power Supply CCA (item 90) to case bottom (item 80) using 2 screws (item 10) and 2 standoffs (item 100).
- 3 Mount Main CCA (item 110) onto Power Supply CCA using 4 standoffs (item 100).
- 4 Remove RF Shield from RF CCA (item 40) if installed. Mount RF CCA onto Main CCA using 4 screws (item 10).
- 5 Install RF Shield on clips on RF CCA. Ensure shield is properly seated into all clips.
- 6 Install both antenna cable assemblies (item 30) as shown.
- 7 Install USB cover (item 70) using screws (item 60).
- 8 Install 2 standoffs (item 100) into DSUB connector on power supply board (item 90).
- 9 Install case top (item 20), as shown, using 7 each screws (item 10). Take care not to scratch the finish.
- 10 Apply ID label (item 120) approximately where shown on back of unit.



SEE SEPARATE BOM 85595-00

UNLESS OTHERWISE SPECIFIED: DIMENSIONS ARE IN INCHES AND APPLY AFTER FINISH		NAME	DATE
		DRAFTER	R.RANDANT 8/24/11
TOLERANCES: X ± .1 XX ± .02 XXX ± .005		CHECKER	R.WARD 8/24/11
		ENGINEER	R.RANDANT 8/24/11
CAGE CODE: 1WAN0		QUALITY	M.JESSUP 8/24/11
		TITLE: FINAL ASSY, RANGR	
NEXT ASSY	USED ON	SIZE	DWG. NO.
APPLICATION	DO NOT SCALE DRAWING	B	85595-00-AD
		SCALE: 1:2	WEIGHT:
		SHEET 1 OF 1	
		REV	C