

Intertek
70 Codman Hill Road
Boxborough, MA 01719

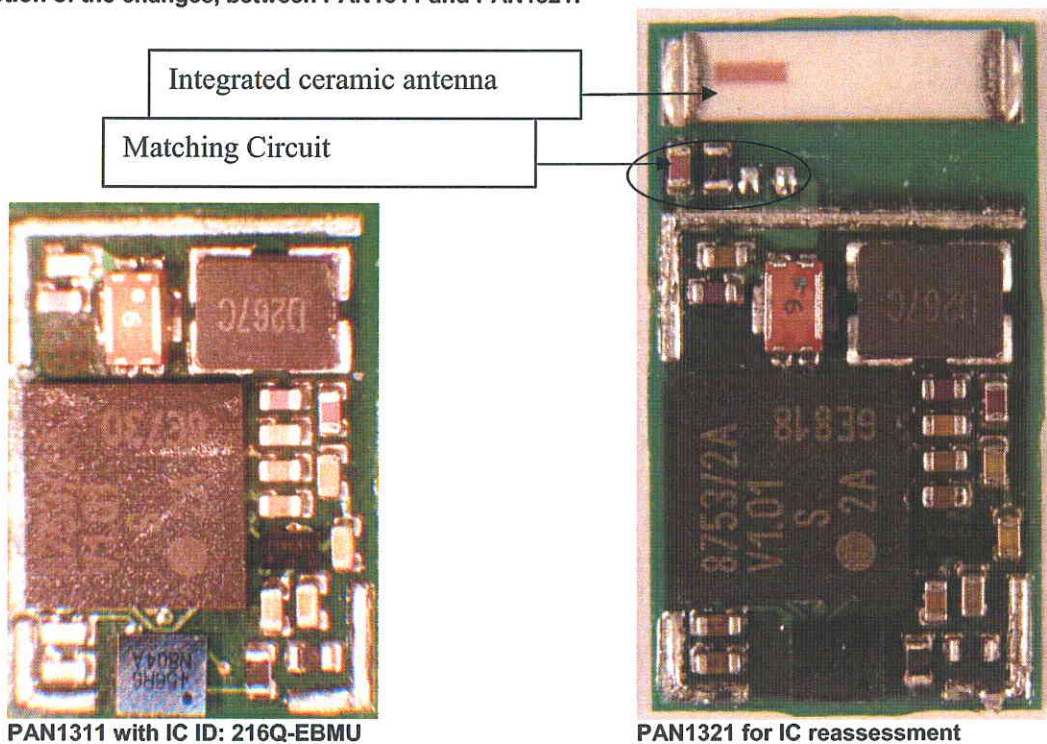
January 27, 2009

REF: **Class II permissive change**, pursuant to §2.1043, for FCC ID: **T7VEBMU**

Dear Sir or Madam:

Pursuant to §2.1043, **Panasonic Electronic Devices Europe GmbH** hereby submit a request for Class II permissive change to our Bluetooth module, model PAN1321, FCC ID: **T7VEBMU**.

Description of the changes, between PAN1311 and PAN1321:



Above pictures shows that the PAN1321 has an integrated ceramic antenna, including matching circuit, which PAN1311 does not have.

Instead of the ceramic antenna, PAN1311 has only an RF output pin on the bottom side.

Compliance statement:

- Test reports according to FCC Part 15.247, 15.205, 15.209, 15.109, 15.207 and Canada RSS-210 of the original grant remains valid and applicable and they are representative of the compliance of this module.
- New exhibits to demonstrate compliance with RF exposure requirements are submitted with this application.
- The product remains compliant with all the applicable rules and requirements.

Sincerely,

Heino Kähler, Manager
Panasonic Electronic Devices Europe GmbH
Zeppelinstrasse 19
21337 Lüneburg
Germany