

REASONING

PANASONIC WIFI/BT MODUL PAN9028

WITHOUT FCC ID ON PRODUCT CAUSED BY

SIZE RESTRICTIONS

In KDB784748D01V09r01 chapter 3 the FCC states the following:

(3) CERTIFICATION

For certification, the product shall bear a nameplate or label with the FCC Identifier (FCC ID), as defined in Section 2.925.13 The FCC ID must always be accessible when using the product. The placement of the FCC ID must be a physical label on the product, unless an e-label is used.

Physical FCC ID labels must be located on the surface of the product, or within a user-accessible non-detachable compartment (such as the battery compartment). The label shall be permanently affixed, permitting the device to be positively identified. The font needs to be readily legible, consistent with the dimensions of the equipment and its label area.

When the device is so small, or for such use that it is impracticable to label with a font size that is **four-points or larger** (and the device does not utilize electronic labeling), then the FCC ID shall be placed in the user manual, and the FCC ID shall also be placed either on the device packaging or on a removable label attached to the device

Definition of point (pt)

A computer point (pt) is the smallest unit of measure in typography. It is a subdivision of the larger pica. The contemporary desktop publishing point (also called the PostScript point) was defined as 72 points to the inch (1 point = 1/72 inches = 25.4/72 mm = 0.3527 mm).

Conversion 4pt to mm

$4\text{pt} = 0.3527 \times 4\text{mm} = 1,4108\text{mm}$

The below dimensioned and magnified graphic shows the product with the actual label and a visualized FCC ID printed in 4pt font size. It demonstrates that the FCC ID doesn't fit on the label if printed in 4pt.

The brand name, product number, lot code and 2D data matrix code are laser printed in a font smaller than 2pt and are intended to be read by machines (scanner) or in a factory using a microscope.

This product is intended to be sold to OEM's only. The OEM is obliged to print on the label of the end product containing this WIFI/BT module the following

This product contains transmitter FCC ID: T7V9028

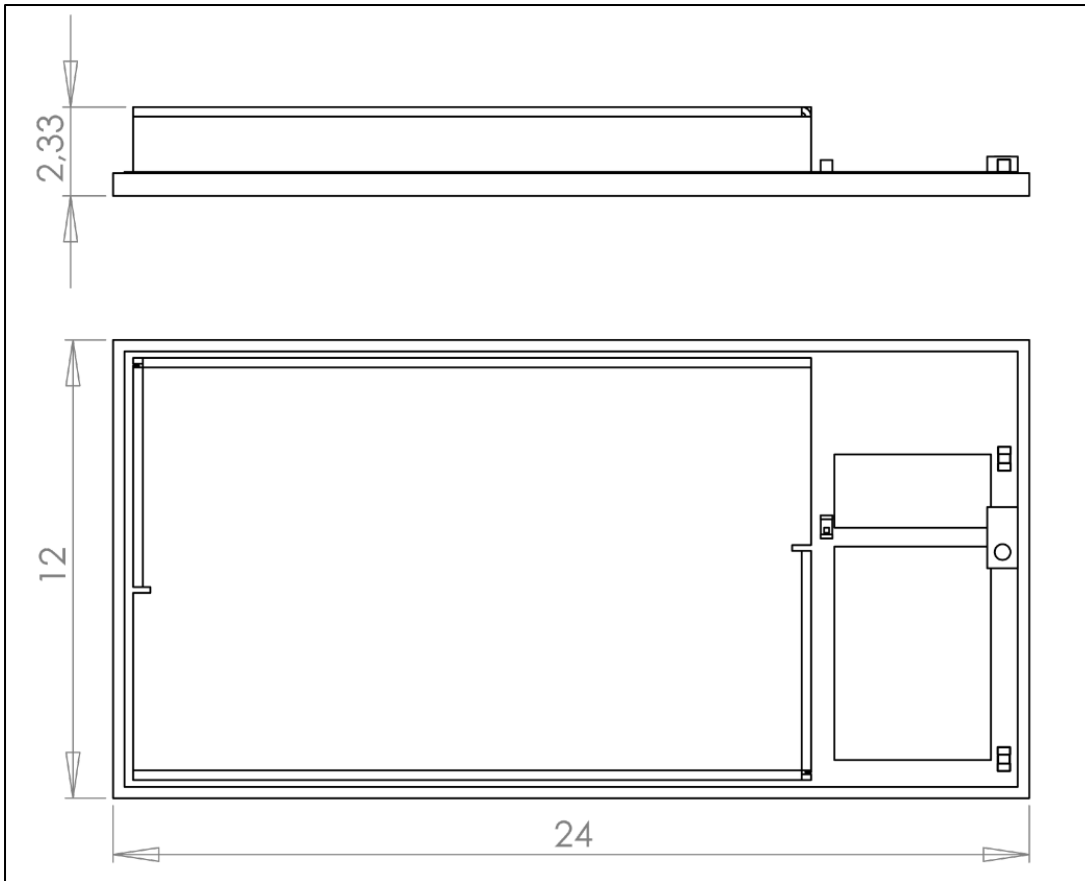


Figure 1 Dimension in mm Module

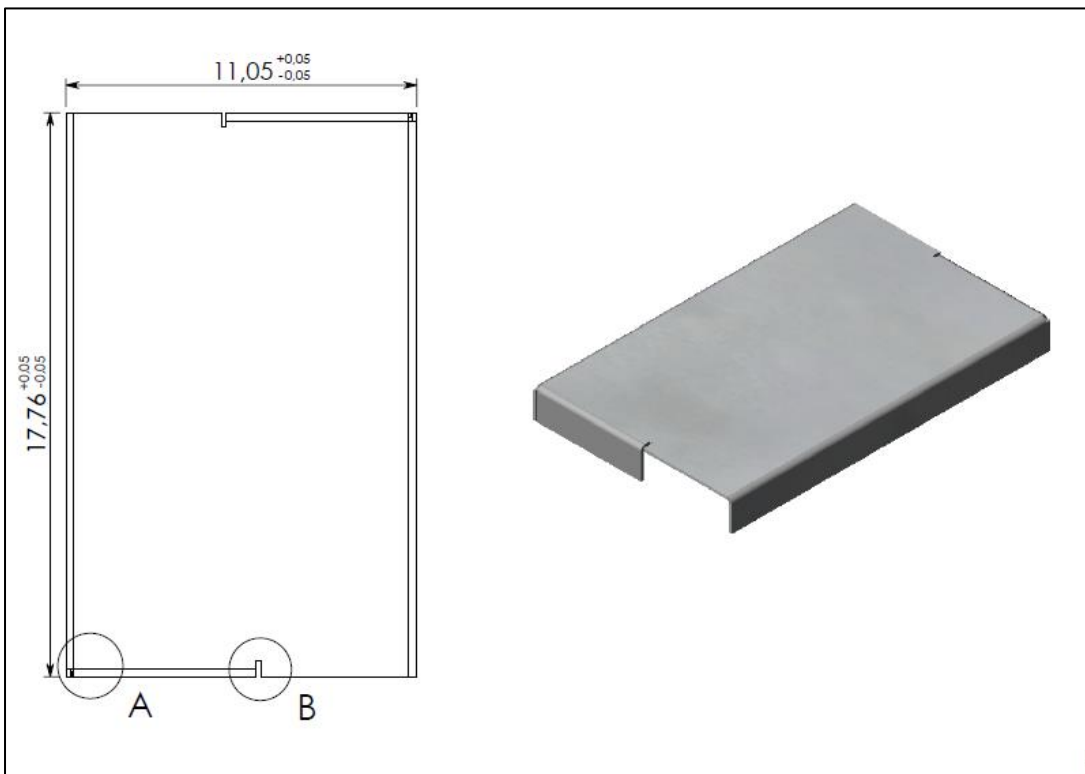
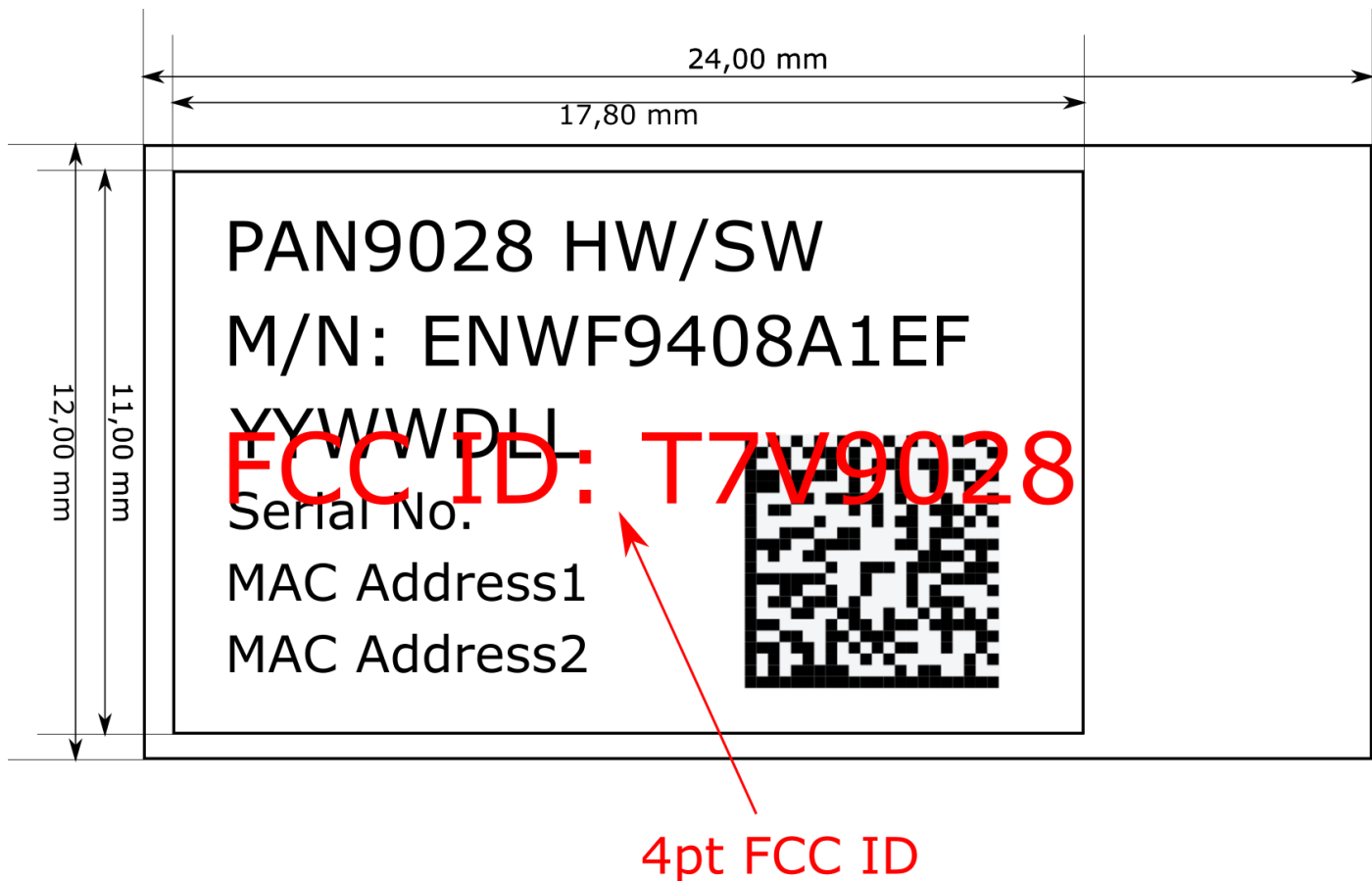


Figure 2 Metal Case Dimension in mm



Module Laser Marking Description

Item	Description
Series (Brand)	PAN9028
HW/SW Version	HW/SW
ENW-No. / Model Name	M/N: ENWF9408A1EF M/N: ENWF9408A2EF
Lot number YYWWDLL	YYWWDLL YY - year last 2 digits WW - calendar week number D - day in week (e.g. Friday is 5) L - line number L - lot in the same day
Serial Number	12345678
MAC Address for Wi-Fi Panasonic range	0013430B801E MAC Address, 12 digits, hexadecimal count
BD Address for Bluetooth Panasonic range	0013430B801F BD Address, 12 digits, hexadecimal count (e.g. 0013430B801F => MAC + 1 hexadecimal)
2D-code	Contains in total 43 characters, seperated by a semicolon. YYWWDLL;SNSNSNSN;MACMACMACMAC;P/N;Hw(Minor)Sw(Minor)