

# RTX HONG KONG LTD

February 15, 2023

Federal Communications Commission  
Equipment Authorization Division  
7435 Oakland Mills Road  
Columbia, MD 21046  
USA

Attn: OET Dept.

Ref: FCC Class II Permissive change for FCC ID: T7HHT7254

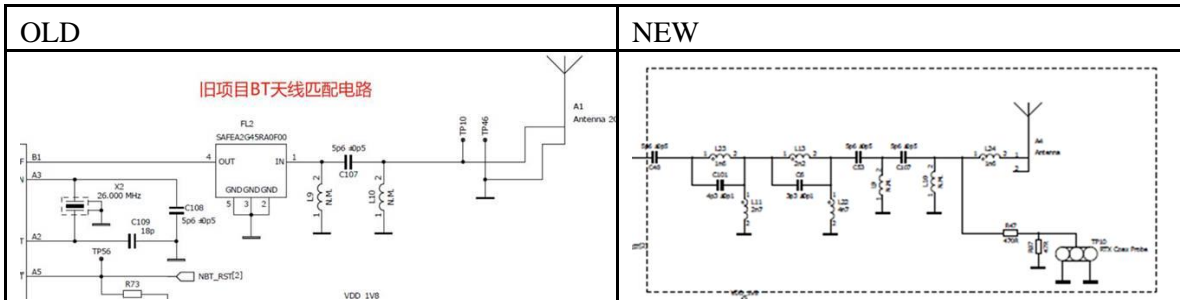
Applicant: RTX HONG KONG LTD

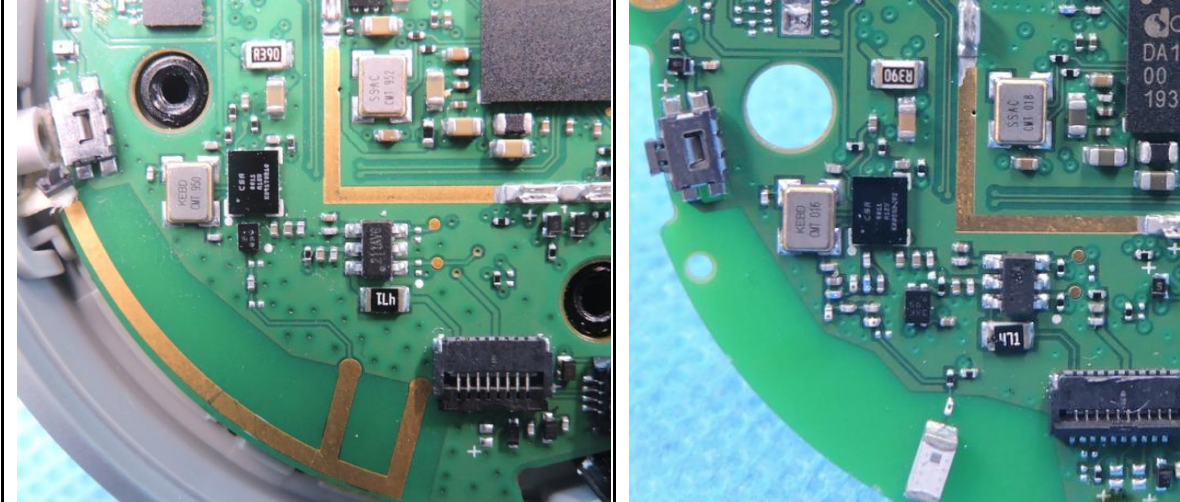
Dear Examiner,

This is to request a Class II Permissive change for FCC ID: T7HHT7254 originally granted on 10/28/2020 (date).

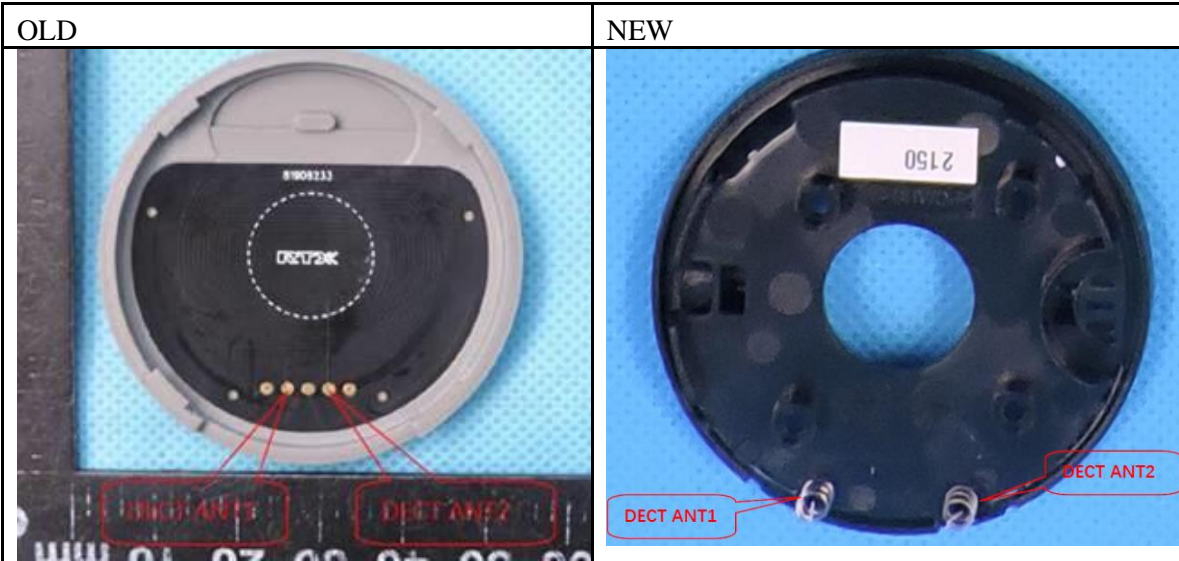
The change under this application is to .....

1. BT antenna change from PCB type antenna to chip antenna, filter for BT change from IC type to discrete component. The BT test data and standard has been updated.





2. DECT antenna change: Antenna position and material change, SAR and radiation spurious have been retested.



3. Update, applicant and manufacturer address.

I attest that the certified device will not be capable of ad-hoc mode operation outside of the grant conditions.

Sincerely,

**Name:** Erik Pedersen

**Date:** 2023.02.14

**Title:** Engineering Director

**Signature of applicant:**

*Erik Pedersen*