

huddl General Information.

Model numbers covered by this information

huddl system (VCH8000)

huddl hub (VCH8100)

huddl dock (VCH8400)

Series 5e Headset (VCH8200)

Document Control

Version	Author	Release date	Comments
1.0	Peter Hancock	06/11/2023	Initial version
2.0	Peter Hancock	08/11/2023	Added model numbers
3.0	Peter Hancock	14/11/2023	Added section for separately mounting the base station
4.0	Peter Hancock	06/12/2023	Added Appendix with FCC and ISED statements

Table Of Contents

huddl General Information.	1
Setting your VoCoVo system up.	2
LED	2
Rack charger with Base station	2
Headset	3
Battery	3
Range	3
Headset buttons	4
Separately mounting the base station	4
Appendix	5

Setting your VoCoVo system up.

Your VoCoVo system is designed to be plug and play helping you to be able to start using the system right out of the box.

Steps:

1. Unplug the headsets from the Rack charger.
2. Connect the Rack Charger to the power.
3. Wait for the Rack Charger to show a solid green LED.
4. Plug the headsets to the Rack Charger.
5. Press the volume button for 5-10 seconds to see if LED on Headsets come up.
6. Pick up the headsets from the Rack charger to hear the announcement – “Joining Conference-1”.

LED

Rack charger with Base station

- Solid Green – huddl ready to Use.
- Blinking Green – Initialisation.
- Blinking Orange – No IP received.
- Slow Blinking Green – Radio not synchronised or huddl not ready for use.

Headset

Headset Battery and LED when placed in Rack charger:

- 00%-08% - Solid Red
- 09%-19% - Solid Red
- 20%-49% - Flash Red (900mS on, 1100mS off)
- 50%-89% - Flash Green (900mS on, 1100mS off)
- 90%-100% - Solid Green

Headset LED when its not in the Rack Charger:

Blinking Blue – Headset Powered ON.

Blinking RED – Headset in Push to Talk to Talk-lock mode.

Battery

Base station in the Rack charger does not have a battery and needs to be plugged in for operation.

Headset Charging:

- 0-100% in less than 3 hrs.
- 0-50% in 80 mins.

Headset Talk-Time with 100% battery:

- 9 hours Talk-time. OR
- 1 hour Talk-time with 19 hours standby. OR
- 3 hours Talk-time with 14 hours standby. OR
- 5 hours Talk-time with 10 hours standby.

Range

Range of Headset from Rack Charger (containing BU).

- Indoor: 50 metres.
- Outdoor: 200 metres.

Headset buttons

PTT button- Circular Grey button on S5e.

Push to Talk (PTT): PTT is used to start speaking into the conference broadcast.

Volume Button: S5e circles through the volume using a Small Black button with LED.

Power-ON – PTT button (Big round light grey button) for 05 secs.

Power-OFF - Volume (Small Black button with LED) + PTT button for 05 secs.

Talk-Lock: PTT button + Volume Button.

Talk-lock allows sending audio into a conference without the need of pressing the PTT button every time you speak.

Separately mounting the base station

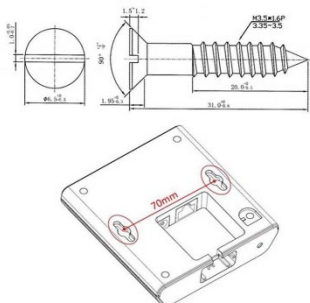
If required, the base station can be mounted separately from the charge rack to improve radio coverage.

Avoid mounting the base station upside down as it significantly reduces radio coverage. The arrow on the rear of the base station indicates which way is up.

Screws and anchors are not included in the packaging therefore, you will have to provide two screws M3.5 x 31mm as appropriate for the mounting surface.

The distance between the screws is 70mm (please see the images below).

The base station should be mounted no more than 2 metres from the ground.



Appendix

FCC Caution:

Any Changes or modifications not expressly approved by the party responsible for compliance could void the user's authority to operate the equipment.

This device complies with part 15 of the FCC Rules. Operation is subject to the following two conditions: (1) This device may not cause harmful interference, and (2) this device must accept any interference received, including interference that may cause undesired operation.

Privacy of communications may not be ensured when using this phone.

IMPORTANT NOTE:

Note: This equipment has been tested and found to comply with the limits for a Class B digital device, pursuant to part 15 of the FCC Rules. These limits are designed to provide reasonable protection against harmful interference in a residential installation. This equipment generates, uses and can radiate radio frequency energy and, if not installed and used in accordance with the instructions, may cause harmful interference to radio communications. However, there is no guarantee that interference will not occur in a particular installation. If this equipment does cause harmful interference to radio or television reception, which can be determined by turning the equipment off and on, the user is encouraged to try to correct the interference by one or more of the following measures:

- Reorient or relocate the receiving antenna.
- Increase the separation between the equipment and receiver.
- Connect the equipment into an outlet on a circuit different from that to which the receiver is connected.
- Consult the dealer or an experienced radio/TV technician for help.

ISED Warning

This device complies with Innovation, Science, and Economic Development Canada licence-exempt RSS standard(s). Operation is subject to the following two conditions:

- (1) this device may not cause interference, and
- (2) this device must accept any interference, including interference that may cause undesired operation of the device.

Privacy of communications may not be ensured when using this phone.

Le présent appareil est conforme aux CNR d' Innovation, Sciences et Développement économique Canada applicables aux appareils radio exempts de licence. L'exploitation est autorisée aux deux conditions suivantes :

- (1) l'appareil n' doit pas produire de brouillage, et
- (2) l'utilisateur de l'appareil doit accepter tout brouillage radioélectrique subi, même si le brouillage est susceptible d'en compromettre le fonctionnement.

La confidentialité des communications peut ne pas être garantie lors de l'utilisation de ce téléphone

Radiation Exposure Statement

The device has been tested and comply with FCC/ISED SAR limits.

L'appareil a été testé et est conforme aux limites SAR de la FCC/ISED.