



July 30, 2008

RTX Consumer Products Hong Kong Ltd.  
11/F., CAC Tower,  
165 Hoi Bun Road, Kwun Tong,  
Kowloon, Hong Kong.  
Tel. : 852-2487-3718  
Fax : 852-2480-6121

Dear Preben Rasmussen:

Enclosed you will find your file copy of a Part 15 Certification (FCC ID: T7HCT8015).

For your reference, TCB will normally take another 15 to 20 days for reviewing the report. Approval will then be granted when no query is sorted.

Please contact me if you have any questions regarding the enclosed material.

Sincerely,

Leung Wai Leung, Tommy  
Senior Manager

Enclosure



**RTX Consumer Products Hong Kong Ltd.**

Application  
For  
47 CFR Part 15 Certification

Unlicensed Personal Communication Service Devices

**FCC ID: T7HCT8015**

**Test Report Number: HK08060834-1**

**Issue Date: July 30, 2008**

TL/ ac

- The test report only allows to be revised within the retention period unless further standard or the requirement was noticed.
- This report is for the exclusive use of Intertek's Client and is provided pursuant to the agreement between Intertek and its Client. Intertek's responsibility and liability are limited to the terms and conditions of the agreement. Intertek assumes no liability to any party, other than to the Client in accordance with the agreement, for any loss, expense or damage occasioned by the use of this report. Only the Client is authorized to permit copying or distribution of this report and then only in its entirety. Any use of the Intertek name or one of its marks for the sale or advertisement of the tested material, product or service must first be approved in writing by Intertek. The observations and test results in this report are relevant only to the sample tested. This report by itself does not imply that the material, product, or service is or has ever been under an Intertek certification program.

**Intertek Testing Services Hong Kong Ltd.**

2/F., Garment Centre, 576 Castle Peak Road, Kowloon, Hong Kong.  
Tel: (852) 2173 8888 Fax: (852) 2785 5487 Website: [www.hk.intertek-etlsemko.com](http://www.hk.intertek-etlsemko.com)

**LIST OF EXHIBITS**

*INTRODUCTION*

- EXHIBIT 1:* Summary of Tests
- EXHIBIT 2:* General Description
- EXHIBIT 3:* System Test Configuration
- EXHIBIT 4:* Measurement Results
- EXHIBIT 5:* Equipment Photographs
- EXHIBIT 6:* Product Labelling
- EXHIBIT 7:* Technical Specifications
- EXHIBIT 8:* Instruction Manual
- EXHIBIT 9:* UTAM Affidavit
- EXHIBIT 10:* Letter of Agency
- EXHIBIT 11:* Confidentiality Request



# INTERTEK TESTING SERVICES

---

## Table of Contents

<b>1.0 Summary of Test Results</b> .....	7
<b>2.0 General Description</b> .....	10
2.1 Product Description .....	10
2.2 Technical Description .....	10
2.3 Related Submittal(s) Grants .....	11
2.4 Test Methodology .....	11
2.5 Test Facility .....	11
<b>3.0 System Test Configuration</b> .....	13
3.1 Justification .....	13
3.2 Conducted Emission Test Configuration .....	14
3.3 Conducted Monitoring and Operational Test Configuration .....	14
3.4 EUT Exercising Software .....	14
3.5 Details of EUT and Description of Peripherals .....	15
3.6 Measurement Uncertainty .....	16
3.7 Equipment Modification .....	16
<b>4.0 Measurement Results</b> .....	18
4.1 Antenna Requirement .....	18
4.2 Digital Modulation Techniques .....	18
4.3 Emission Bandwidth .....	19
4.4 Directional Gain of the Antenna .....	20
4.5 Peak Transmit Power .....	21
4.6 Power Spectral Density .....	22
4.7 Automatic Discontinuation of Transmission .....	23
4.8 Unwanted Emission Inside the Sub-Band .....	24
4.9 Emissions Outside the Sub-Band .....	25
4.9.1 Radiated Emissions Configuration Photographs .....	26
4.9.2 Radiated Emissions Data .....	27
4.9.3 Field Strength Calculation .....	32
4.9.4 Average Factor Calculation and Transmitter ON Time Measurements .....	33
4.10 AC Power Lines Conducted Emissions from Transmitter portion of EUT .....	34
4.10.1 AC Power Lines Conducted Emissions Configuration Photographs .....	35
4.10.2 AC Power Line Conducted Emissions Data .....	36
4.11 Radiated Emissions from Computing Device Peripheral Portion of EUT .....	37
4.12 AC Power Lines Conducted Emissions from Computing Device Peripheral Portion of EUT .....	38
4.13 Radio Frequency Radiation Exposure .....	39
4.14 Frame Repetition Stability .....	40
4.15 Frame Period and Jitter .....	41
4.16 Carrier Frequency Stability .....	42
4.17 Monitoring Threshold .....	43
4.17.1 Lower Monitoring Threshold .....	44
4.17.2.1 Upper Monitoring Threshold .....	45
4.17.2.2 Least Interfered Channel (LIC) Selection .....	46
4.17.2.3 Least Interfered Channel (LIC) Confirmation .....	47

# INTERTEK TESTING SERVICES

---

## Table of Contents

4.17.2.4 Maximum Spectrum Occupancy.....	47
4.18 Monitoring Time.....	48
4.19 Maximum Transmit Period.....	49
4.20 System Acknowledgement .....	50
4.21 Random Waiting.....	51
4.22 Monitoring Bandwidth .....	52
4.23 Maximum Reaction Time .....	53
4.24 Monitoring Antenna .....	54
4.25 Duplex Connections .....	55
4.26 Alternative Monitoring Interval for Co-located Device.....	57
4.27 Fair Access.....	58
<b>5.0 Equipment Photographs.....</b>	<b>60</b>
<b>6.0 Product Labelling.....</b>	<b>62</b>
<b>7.0 Technical Specifications.....</b>	<b>64</b>
<b>8.0 Instruction Manual .....</b>	<b>66</b>
<b>9.0 UTAM Affidavit.....</b>	<b>68</b>
<b>10.0 Letter of Agency.....</b>	<b>70</b>
<b>11.0 Confidentiality Request .....</b>	<b>72</b>

## INTERTEK TESTING SERVICES

---

### List of Attached Files

<b>Exhibit Type</b>	<b>File Description</b>	<b>Filename</b>
Operational Description	Technical Description	descri.pdf
Test Report	Test Report	report.pdf
Test Report	Emission Bandwidth and Test Frequency Plots	26bw.pdf
Test Report	Peak Transmit Power Plots	peaktp.pdf
Test Report	Power Spectral Density Plots	psd.pdf
Test Report	Unwanted Emission Inside Sub-Band Plots	inband.pdf
Test Report	AC Lines Conducted Emission Data	conduct.pdf
Test Setup Photo	Radiated Emission Test Configuration	config photos.pdf
Test Setup Photo	AC Lines Conducted Emission Test Configuration	
RF Exposure Info	RF Safety	RF exposure info.pdf
External Photos	External Photo	external photos.pdf
Internal Photos	Internal Photo	internal photos.pdf
ID Label/Location Info	Label Artwork and Location	label.pdf
Block Diagrams	Block Diagram	block.pdf
Schematics	Circuit Diagram	circuit.pdf
User Manual	User Manual	manual.pdf
Attestation Statement	UTAM affidavit	utam.pdf
Attestation Statement	Declaration	declaration.pdf
Cover Letter	Letter of Agency	letter of agency.pdf
Cover Letter	Confidentiality Request	request.pdf

**EXHIBIT 1  
SUMMARY OF TEST RESULTS**



## INTERTEK TESTING SERVICES

---

### 1.0 Summary of Test Results

**RTX Consumer Products Hong Kong Ltd. - Model: MBU 400, RTX8015**

**FCC ID: T7HCT8015**

<b>General Technical Requirements</b>				
<b>Test Items</b>	<b>FCC Part 15 Section</b>	<b>Test Procedure ANSI C63.17 / ANSI C63.4 *</b>	<b>Results</b>	<b>Details see section</b>
Antenna Requirement	15.317	---	Pass	4.1
Digital Modulation Techniques	15.319(b)	6.1.4	Pass	4.2
Emission Bandwidth	15.323(a)	6.1.3	Pass	4.3
Directional Gain of the Antenna	15.319(e)	4.3.1	Pass	4.4
Peak Transmit Power	15.319(c)	6.1.2	Pass	4.5
Power Spectral Density	15.319(d)	6.1.5	Pass	4.6
Automatic Discontinuation of Transmission	15.319(f)	---	Pass	4.7
AC Power Lines Conducted Emissions from Transmitter Portion of EUT	15.315	7 *	Pass	4.10
Radiated Emissions from Computing Device Peripheral Portion of EUT	15.109(a)	8 *	NA	4.11
AC Power Lines Conducted Emissions from Computing Device Peripheral Portion of EUT	15.107(a)	7 *	NA	4.12
Radio Frequency Radiation Exposure	15.319(i)	---	Pass	4.13

**Test Engineer:**



\_\_\_\_\_  
Ken Sit  
Supervisor

Date: July 30, 2008

**Approved By:**



\_\_\_\_\_  
Leung Wai Leung, Tommy  
Senior Manager

Date: July 30, 2008

## INTERTEK TESTING SERVICES

---

### 1.0 Summary of Test Results (continued)

**RTX Consumer Products Hong Kong Ltd. - Model: MBU 400, RTX8015**

**FCC ID: T7HCT8015**

<b>Specific Requirements for UPCS Device</b>				
<b>Test Items</b>	<b>FCC Part 15 Section</b>	<b>Test Procedure ANSI C63.17 / ANSI C63.4</b>	<b>Results</b>	<b>Details see section</b>
Unwanted Emission Inside the Sub-Band	15.323(d)	6.1.6.1	Pass	4.8
Emissions Outside the Sub-Band	15.323(d)	6.1.6.2	Pass	4.9
Frame Repetition Stability	15.323(e)	6.2.2	Pass	4.14
Frame Period and Jitter	15.323(e)	6.2.3	Pass	4.15
Carrier Frequency Stability	15.323(f)	6.2.1	Pass	4.16
Lower Monitoring Threshold	15.323(c)(2)	7.3.1(b)	NA	4.17.1
Upper Monitoring Threshold	15.323(c)(5)	7.3.2	Pass	4.17.2.1
Least Interfered Channel (LIC) Selection,	15.323(c)(5)	7.3.3	Pass	4.17.2.2
Least Interfered Channel (LIC) Confirmation	15.323(c)(5)	7.3.3 , 7.3.4	Pass	4.17.2.3
Maximum Spectrum Occupancy	15.323(c)(5)	---	Pass	4.17.2.4
Monitoring Time	15.323(c)(1)	7.3.4	Pass	4.18
Maximum Transmit Period	15.323(c)(3)	---	Pass	4.19
System Acknowledgement	15.323(4)	8.1 or 8.2	Pass	4.20
Random Waiting	15.323(c)(6)	8.1.2 & 8.1.3	Pass	4.21
Monitoring Bandwidth	15.323(c)(7)	7.4	Pass	4.22
Maximum Reaction Time	15.323(c)(7)	7.5	Pass	4.23
Monitoring Antenna	15.323(c)(8)	4	Pass	4.24
Duplex Connections	15.323(c)(10)	8.3	NA	4.25
Alternative Monitoring Interval for Co-located Device	15.323(c)(11)	8.4	NA	4.26
Fair Access	5.323(c)(12)	---	Pass	4.27

**Test Engineer:**



Ken Sit  
Supervisor

Date: July 30, 2008

**Approved By:**



Leung Wai Leung, Tommy  
Senior Manager

Date: July 30, 2008

**EXHIBIT 2  
GENERAL DESCRIPTION**

## INTERTEK TESTING SERVICES

---

### 2.0 General Description

#### 2.1 Product Description

The MBU 400 is a 1.9GHz DECT VoIP and PSTN Gateway. It operates at frequency range of 1921.536MHz to 1928.448MHz with 5 channels (1921.536MHz, 1923.264MHz, 1924.992MHz, 1926.720MHz and 1928.448MHz). The Base Unit is powered by a switching AC adaptor 100-240VAC to 12VDC 300mA.

The circuit wiring is consistent under the requirement of part 68.

The antennas used in base unit are integral, and the test sample is a prototype.

The Model: RTX8015 is the same as the Model: MBU 400 in hardware aspect. The difference in model number serves as marketing strategy.

Connection between the base unit and the telephone network is accomplished through the use of USOC RJ11C in the 2-wire loop calling central office line.

#### 2.2 Technical Description

The circuit description and digital modulation techniques are saved as filename: descri.pdf.

## INTERTEK TESTING SERVICES

---

### 2.3 Related Submittal(s) Grants

This is an application for Certification of a PUB - Part 15 Unlicensed PCS Base Station. The device is also subject to Part 68 Registration. The FCC ID of the associated handset is T7H-CT8010 and is in process of being filed.

A Verification report has been prepared for the digital device portion.

### 2.4 Test Methodology

The radiated emission measurements for unintentional radiator (if any) and AC power line-conducted emission measurements were performed according to the test procedures specified in ANSI C63.4 (2003). The radiated emission measurements for intentional radiator contained in UPCS device, conducted emission measurements, Listen Before Transmit (LBT) tests, Time Frame and Frequency Stability tests were performed according to the test procedures specified in ANSI C63.17 (2006). All radiated measurements were performed in Open Area Test Sites. Preliminary scans were performed in the Open Area Test Sites only to determine worst case modes. All radiated tests were performed at an antenna to EUT distance of 3 meters, unless stated otherwise in the "Justification Section" of this Application. All other measurements were made in accordance with the procedures in 47 CFR Part 2.

### 2.5 Test Facility

The open area test site and conducted measurement facility used to collect the emission data is located at Garment Centre, 576 Castle Peak Road, Kowloon, Hong Kong. This test facility and site measurement data have been fully placed on file with the FCC.

**EXHIBIT 3  
SYSTEM TEST CONFIGURATION**

## INTERTEK TESTING SERVICES

---

### 3.0 System Test Configuration

#### 3.1 Justification

For emissions testing, the equipment under test (EUT) was setup to transmit continuously in burst mode with pseudo-random data to simplify the measurement methodology. Care was taken to ensure proper power supply voltages during testing. During testing, all cables (if any) were manipulated to produce worst-case emissions. The handset (if any) was powered by a fully charged battery.

For the measurements, the EUT was attached to a plastic stand if necessary and placed on the wooden turntable. If the base unit attached to peripherals, they were connected and operational (as typical as possible).

The signal was maximized through rotation and placement in the three orthogonal axes. The antenna height and polarization were varied during the search for maximum signal level. The antenna height was varied from 1 to 4 meters. Detector function was in peak mode. Radiated emissions were taken at three meters unless the signal level was too low for measurement at that distance. If necessary, a pre-amplifier was used and/or the test was conducted at a closer distance.

The spectrum analyzer resolution bandwidth was approximately 1% of the EUT emission bandwidth, unless otherwise specified.

Radiated emission measurements were performed from the lowest radio frequency signal generated in the device which is greater than 9 kHz to the tenth harmonic of the highest fundamental frequency or to 40 GHz, whichever is lower.

As the base unit has 2 antennas, both have been checked. While conducting the test on one of antennas, another one was being disable its transmission. The data in this report represented the worst-case.

# INTERTEK TESTING SERVICES

## 3.2 Conducted Emission Test Configuration

The setup and equipment setting were made in accordance with ANSI C63.17. The antenna of EUT transmitter was replaced by a coaxial cable. The impedance matching of connection, cable loss and external RF attenuator were taken into account. The EUT was arranged to communicate via a fixed carrier frequency between its transmitter and a companion device. The transmission was configured in burst mode with pseudo-random data as typical as normal operation.

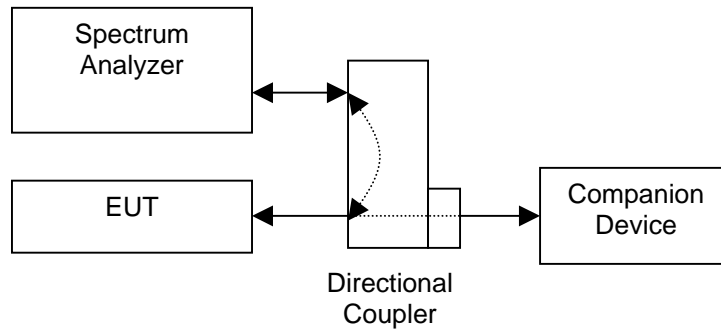


Figure 3.2.1

## 3.3 Conducted Monitoring and Operational Test Configuration

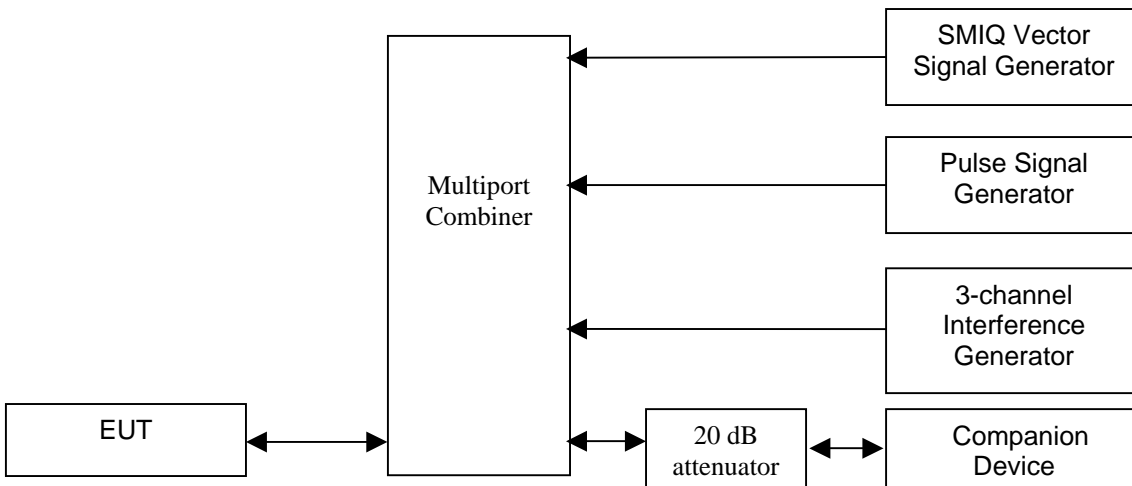


Figure 3.3.1

## 3.4 EUT Exercising Software

The EUT exercise program (if any) used during radiated and conducted testing was designed to exercise the various system components in a manner similar to a typical use.



## INTERTEK TESTING SERVICES

---

### 3.5 Details of EUT and Description of Peripherals

#### Details of EUT:

An AC adaptor and/or a battery (provided with the unit) were used to power the device. Their descriptions are listed below.

- (1) Base Unit: A switching AC adaptor (100-240VAC to 12VDC 300mA, Model: SSW-1187US) (Supplied by Client)

#### Description of Peripherals:

- (1) Telecommunication cable with RJ11C connectors (1m, unshielded), terminated (Supplied by Intertek)
- (2) CAT5 LAN unshielded cable with 2 meter long (Supplied by Intertek)
- (3) A headset for telephone use with 1.2m unshielded cable. (Supplied by Intertek)
- (4) Handset (Model: 420d, FCC ID: T7H-CT8010) (Supplied by Client)
- (5) A 3.7V 650mAh "Li-ion" type rechargeable battery for handset (Supplied by Client)

## INTERTEK TESTING SERVICES

---

### 3.6 Measurement Uncertainty

When determining of the test conclusion, the Measurement Uncertainty test has been considered.

Uncertainty and Compliance - Unless the standard specifically states that measured values are to be extended by the measurement uncertainty in determining compliance, all compliance determinations are based on the actual measured value.

### 3.7 Equipment Modification

Any modifications installed previous to testing by RTX Consumer Products Hong Kong Ltd. will be incorporated in each production model sold/leased in the United States.

No modifications were installed by Commercial & Electrical Division, Intertek Testing Services Hong Kong Ltd.

All the items listed under section 3.0 of this report are confirmed by:

*Confirmed by:*

*Leung Wai Leung, Tommy  
Senior Manager  
Intertek Testing Services Hong Kong Ltd.  
Agent for RTX Consumer Products Hong Kong Ltd.*



\_\_\_\_\_  
Signature

July 30, 2008 Date

**EXHIBIT 4  
MEASUREMENT RESULTS**

## INTERTEK TESTING SERVICES

---

Company: RTX Consumer Products Hong Kong Ltd. Date of Test: June 24-July 7, 2008  
Model: MBU 400

### 4.0 **Measurement Results**

#### 4.1 Antenna Requirement, FCC Rule 15.317:

EUT must meet the antenna requirement of FCC Rule 15.203.

EUT uses a permanently attached antenna which is considered sufficient to comply with the provisions of this rule. Please refer to Exhibit 5: Internal Photos for more details.

EUT uses a unique antenna jack or electrical connector which is considered sufficient to comply with the provisions of this rule. Please refer to Exhibit 5: Internal Photos for more details.

#### 4.2 Digital Modulation Techniques, FCC Rule 15.319(b):

All transmissions must use only digital modulation techniques.

The requirements are made in accordance with ANSI C63.17 sub-clause 6.1.4.

Attestation:

Please refer to the technical description in section 2.2 or relevant DECT standards for more details.

## INTERTEK TESTING SERVICES

---

Company: RTX Consumer Products Hong Kong Ltd.    Date of Test: June 24-July 7, 2008  
Model: MBU 400

### 4.3 Emission Bandwidth, FCC Rule 15.323(a):

Operation shall be contained within the 1920 – 1930 MHz band. The emission bandwidth (*B*) shall be less than 2.5 MHz and greater than 50 kHz.

Measurements are made in accordance with ANSI C63.17 sub-clause 6.1.3. Test setup is shown in section 3.2 Figure 3.2.1.

Test Results:

#### I. Traffic Carrier

Channel	Channel Frequency (MHz)	Measuring Signal Level	Measured Emission Bandwidth (MHz)	Results
Lowest	1921.536	26 dB down	1.45	Pass
Highest	1928.448	26 dB down	1.44	Pass

#### II. Dummy Carrier

Channel	Channel Frequency (MHz)	Measuring Signal Level	Measured Emission Bandwidth (MHz)	Results
Lowest	1921.536	26 dB down	1.35	Pass
Highest	1928.448	26 dB down	1.33	Pass

Please refer to the attached plots for more details:

Plot 1A: Lowest Channel 26dB Emission Bandwidth (Traffic Carrier)

Plot 1D Highest Channel 26dB Emission Bandwidth (Traffic Carrier)

Plot 1G: Lowest Channel 26dB Emission Bandwidth (Dummy Carrier)

Plot 1J: Highest Channel 26dB Emission Bandwidth (Dummy Carrier)

The plots of emission bandwidth and test frequency are saved as filename: 26bw.pdf

## INTERTEK TESTING SERVICES

---

Company: RTX Consumer Products Hong Kong Ltd. Date of Test: June 24-July 7, 2008  
Model: MBU 400

### 4.4 Directional Gain of the Antenna, FCC Rule FCC 15.319(e):

The peak transmit power shall be reduced by the amount in dB that the maximum directional gain of the antenna exceeds 3 dBi.

The requirements are made in accordance with ANSI C63.17 sub-clause 4.3.1.

- Manufacturer declares that the directional gain of the antenna is less than or equal to 3dBi. No peak transmit power reduction is required.
- Manufacturer declares that the directional gain of the antenna is greater than 3dBi. The peak transmit power shall be reduced by \_\_\_\_\_ dB.

## INTERTEK TESTING SERVICES

---

Company: RTX Consumer Products Hong Kong Ltd.    Date of Test: June 24-July 7, 2008  
 Model: MBU 400

### 4.5 Peak Transmit Power, FCC Rule 15.319(c):

The peak transmit power ( $P_{EUT}$ ) shall not exceed  $100\mu W$  multiplied by the square root of the emission bandwidth ( $B$ ) in Hz or  $5 \log_{10} B - 10$  dBm. The peak transmit power shall be reduced by the amount in dB that the maximum directional gain of the antenna exceeds 3 dBi.

Measurements are made in accordance with ANSI C63.17 sub-clause 6.1.2. Test setup is shown in section 3.2 Figure 3.2.1. The cable loss and/or external attenuation are included in OFFSET function of spectrum analyzer.

Calculation of Peak Transmit Power Limit ( $P_{max}$ ):

$$\begin{aligned} [ \times ] \quad P_{max} &= 5 \log_{10} B - 10 \text{ dBm} && \text{when } G_A \leq 3\text{dBi} \\ [ \quad ] \quad P_{max} &= 5 \log_{10} B - 10 \text{ dBm} - (G_A - 3\text{dBi}) && \text{when } G_A > 3\text{dBi} \end{aligned}$$

Where  $G_A$  = EUT Antenna Gain: 0 dBi  
 $B$  = Measured Emission Bandwidth: (26dB down BW) in Hz

Test Results:

#### I. Traffic Carrier

Channel	Channel Frequency (MHz)	Measured Peak Transmit Power (dBm)	Limit (dBm)	Results
Lowest	1921.536	19.27	20.81	Pass
Highest	1928.448	19.05	20.79	Pass

#### II. Dummy Carrier

Channel	Channel Frequency (MHz)	Measured Peak Transmit Power (dBm)	Limit (dBm)	Results
Lowest	1921.536	19.24	20.65	Pass
Highest	1928.448	19.02	20.62	Pass

Please refer to the attached plots for more details:

- Plot 2A: Lowest Channel Peak Transmit Power (Traffic Carrier)
- Plot 2B: Highest Channel Peak Transmit Power (Traffic Carrier)
- Plot 2C: Lowest Channel Peak Transmit Power (Dummy Carrier)
- Plot 2D: Highest Channel Peak Transmit Power (Dummy Carrier)

The plots of peak transmit power are saved as filename: peaktp.pdf

## INTERTEK TESTING SERVICES

---

Company: RTX Consumer Products Hong Kong Ltd.    Date of Test: June 24-July 7, 2008  
Model: MBU 400

### 4.6 Power Spectral Density, FCC Rule 15.319(d):

Power spectral density shall not exceed 3 mW (4.8dBm) in any 3 kHz bandwidth as measured with a spectrum analyzer having a resolution bandwidth of 3 kHz.

Measurements are made in accordance with ANSI C63.17 sub-clause 6.1.5. Test setup is shown in section 3.2 Figure 3.2.1.

Test Results:

#### I. Traffic Carrier

Channel	Channel Frequency (MHz)	Measured Power Spectral Density (dBm/3kHz)	Limit (dBm/3 kHz)	Results
Lowest	1921.536	-5.2	4.8	Pass
Highest	1928.448	-5.7	4.8	Pass

#### II. Dummy Carrier

Channel	Channel Frequency (MHz)	Measured Power Spectral Density (dBm/3kHz)	Limit (dBm/3 kHz)	Results
Lowest	1921.536	-10.5	4.8	Pass
Highest	1928.448	-11.9	4.8	Pass

Please refer to the attached plots for more details:

- Plot 3A: Lowest Channel Power Spectral Density (Traffic Carrier)
- Plot 3B: Highest Channel Power Spectral Density (Traffic Carrier)
- Plot 3C: Lowest Channel Power Spectral Density (Dummy Carrier)
- Plot 3D: Highest Channel Power Spectral Density (Dummy Carrier)

The plots of the power spectral density are saved as filename: psd.pdf



## INTERTEK TESTING SERVICES

---

Company: RTX Consumer Products Hong Kong Ltd.    Date of Test: June 24-July 7, 2008  
Model: MBU 400

### 4.7 Automatic Discontinuation of Transmission, FCC Rule 15.319(f):

The EUT shall automatically discontinue transmission in case of either absence of information to transmit or operational failure. These provisions are not intended to preclude transmission of control and signaling information or use of repetitive codes used by certain digital technologies to complete frame or burst intervals.

#### Test Procedures:

The following tests simulate the reaction of EUT in case of either absence of information to transmit or operational failure after a connection of its companion device is established. Test setup is shown in section 3.2 Figure 3.2.1.

#### Test Descriptions and Results:

	Test Descriptions	Reaction of EUT	Results
1	Switch-off companion device	NA	NA
2	On Hook by companion device	B	Pass
3	Remove power from companion device	B	Pass
4	Switch-off EUT	NA	NA
5	On Hook on EUT Side	NA	NA
6	Remove power from EUT	A	Pass
7	Reset EUT	B	Pass

- A – Connection is terminated and, transmission ceases.
- B – Connection is terminated but EUT transmits control or signaling information.
- C – Connection is terminated but companion device transmits control or signaling information.
- NA – Not applicable, represents the device does not contain a hook switch or a power off switch

[ x ] The manufacturer declares that the EUT can automatically discontinue transmission in case of either absent information to transmit or operational failure. The manufacturer's declaration is saved as filename: declaration.pdf

## INTERTEK TESTING SERVICES

---

Company: RTX Consumer Products Hong Kong Ltd.    Date of Test: June 24-July 7, 2008  
Model: MBU 400

### 4.8 Unwanted Emission Inside the Sub-Band, FCC Rule 15.323(d):

Emissions inside the sub-band must comply with the following emission mask:

1. In the bands between  $1B$  and  $2B$  measured from the center of the emission bandwidth, emission shall be at least 30 dB below the permitted peak transmit power
2. In the bands between  $2B$  and  $3B$  measured from the center of the emission bandwidth, emission shall be at least 50 dB below the permitted peak transmit power
3. In the bands between  $3B$  and the band edge, emission shall be at least 60 dB below the permitted peak transmit power

Where         $B$  = emission bandwidth in Hz

Measurements are made in accordance with ANSI C63.17 sub-clause 6.1.6.1. Test setup is shown in section 3.2 Figure 3.2.1.

### Test Results:

#### I. Traffic Carrier

Channel	Channel Frequency (MHz)	Results
Lowest	1921.536	Pass
Highest	1928.448	Pass

#### II. Dummy Carrier

Channel	Channel Frequency (MHz)	Results
Lowest	1921.536	Pass
Highest	1928.448	Pass

Please refer to the attached plots for more details:

- Plot 4A: Lowest Channel Unwanted Emission Inside the Sub-Band (Traffic Carrier)
- Plot 4B: Highest Channel Unwanted Emission Inside the Sub-Band (Traffic Carrier)
- Plot 4C: Lowest Channel Unwanted Emission Inside the Sub-Band (Dummy Carrier)
- Plot 4D: Highest Channel Unwanted Emission Inside the Sub-Band (Dummy Carrier)

The plots of the unwanted emission inside the sub-band are saved as filename: inband.pdf

## INTERTEK TESTING SERVICES

---

Company: RTX Consumer Products Hong Kong Ltd.    Date of Test: June 24-July 7, 2008  
Model: MBU 400

### 4.9 Emissions Outside the Sub-Band, FCC Rule 15.323(d):

Emissions outside the sub-band shall be attenuated below a reference power of 112 mW (20.5 dBm) as follows:

1. 30 dB between the band edge and 1.25 MHz above or below the band;
2. 50 dB between 1.25 and 2.5 MHz above or below the band; and
3. 60 dB at 2.5 MHz or greater above or below the band, or shall not exceed the limits of FCC Rule 15.209.

Example: Calculation of Limit for emissions between the band edge and 1.25 MHz (1920.000 – 1918.750 MHz)

The emissions shall not exceed the Limit: 20.5 dBm – 30 dB = -9.5 dBm

Measurements are made in accordance with ANSI C63.17 sub-clause 6.1.6.2. As EUT has non-detachable antenna(s), radiated emissions test method is used for out-of-band emissions tests. Emissions that are directly caused by digital circuits in the transmit path and transmitter portion are measured. Test setup and procedures are described in section 3.2 Figure 3.2.1.

### Test Results:

Channel	Carrier Frequency (MHz)	Measured Band (MHz)	Limit (dBm)	Results
Lowest	1921.536	1920.000 - 1918.750	-9.5	Pass
		1918.750 - 1917.500	-29.5	Pass
		0.009 - 1917.500 & 1932.500 - 19300.000	-39.5	Pass
Highest	1928.448	1930.000 - 1931.250	-9.5	Pass
		1931.250 - 1932.500	-29.5	Pass
		0.009 - 1917.500 & 1932.500 - 19300.000	-39.5	Pass

Please refer to the section 4.9.1 to 4.9.4 for more details.

## INTERTEK TESTING SERVICES

---

Company: RTX Consumer Products Hong Kong Ltd. Date of Test: June 24-July 7, 2008  
Model: MBU 400  
Mode: Transmission

### 4.9.1 Radiated Emissions Configuration Photographs:

Worst Case Radiated Emission  
at

11529.216 MHz

The worst case radiated emission configuration photographs are saved as filename:  
config photos.pdf

## INTERTEK TESTING SERVICES

---

C Company: RTX Consumer Products Hong Kong Ltd. Date of Test: June 24-July 7, 2008  
Model: MBU 400  
Mode: Transmission

### 4.9.2 Radiated Emissions Data:

Data are included of the worst case configuration (the configuration which resulted in the highest emission levels). A sample calculation, configuration photographs and data tables of the emissions are included. All measurements were performed with peak detection unless otherwise specified.

The data in tables 1-4 list the significant emission frequencies, the limit and the margin of compliance.

Judgement -

Passed by 8.8 dB Margin

### **TEST ENGINEER:**



---

Signature

Ken Sit, Supervisor  
Typed/Printed Name

July 30, 2008  
Date

## INTERTEK TESTING SERVICES

---

Company: RTX Consumer Products Hong Kong Ltd.    Date of Test: June 24-July 7, 2008  
Model: MBU 400  
Mode: Transmission

Table 1

**Radiated Emissions Data  
Pursuant To FCC Part 15 Section 15.323 (d) Emissions Requirements**

Lowest Channel:

Polarization	Frequency (MHz)	Measured Power (dBm)	Power Limit (dBm)	Margin (dB)
V	1919.754	-38.4	-9.5	-28.9
V	1918.500	-52.7	-29.5	-23.2
V	1917.400	-53.6	-39.5	-14.1
V	3843.072	-52.8	-39.5	-13.3
V	5764.608	-51.3	-39.5	-11.8
V	7686.144	-50.8	-39.5	-11.3
V	9607.680	-49.4	-39.5	-9.9
V	11529.216	-48.3	-39.5	-8.8

NOTES:

1. Peak detector is used for the emission measurement.
2. All measurements were made at 3 meters.
3. Negative value in the margin column shows emission below limit.

## INTERTEK TESTING SERVICES

---

Company: RTX Consumer Products Hong Kong Ltd.    Date of Test: June 24-July 7, 2008  
Model: MBU 400  
Mode: Transmission

Table 2

**Radiated Emissions Data  
Pursuant To FCC Part 15 Section 15.323 (d) Emissions Requirements**

Highest Channel:

Polarization	Frequency (MHz)	Measured Power (dBm)	Power Limit (dBm)	Margin (dB)
V	1930.125	-39.5	-9.5	-30.0
V	1931.300	-53.8	-29.5	-24.3
V	1932.506	-54.4	-39.5	-14.9
V	3856.896	-53.2	-39.5	-13.7
V	5785.344	-51.6	-39.5	-12.1
V	7713.792	-50.7	-39.5	-11.2
V	9642.240	-49.6	-39.5	-10.1
V	11570.688	-48.5	-39.5	-9.0

NOTES:

1. Peak detector is used for the emission measurement.
2. All measurements were made at 3 meters.
3. Negative value in the margin column shows emission below limit.

## INTERTEK TESTING SERVICES

---

Company: RTX Consumer Products Hong Kong Ltd.    Date of Test: June 24-July 7, 2008  
Model: MBU 400  
Mode: Talk (Through PSTN)

Table 3

**Radiated Emissions Data  
Pursuant To FCC Part 15 Section 15.323 (d) Emissions Requirements**

Polarization	Frequency (MHz)	Measured Power (dBm)	Power Limit (dBm)	Margin (dB)
V	39.380	-66.0	-39.5	-26.5
V	50.000	-66.8	-39.5	-27.3
V	52.490	-66.4	-39.5	-26.9
V	65.675	-66.0	-39.5	-26.5
V	78.785	-68.5	-39.5	-29.0
H	118.115	-64.8	-39.5	-25.3
H	131.225	-64.4	-39.5	-24.9
H	157.445	-64.7	-39.5	-25.2

NOTES:

1. Peak detector is used for the emission measurement.
2. All measurements were made at 3 meters.
3. Negative value in the margin column shows emission below limit.



## INTERTEK TESTING SERVICES

---

Company: RTX Consumer Products Hong Kong Ltd.    Date of Test: June 24-July 7, 2008  
Model: MBU 400  
Mode: VoIP Online (Through LAN)

Table 4

**Radiated Emissions Data  
Pursuant To FCC Part 15 Section 15.323 (d) Emissions Requirements**

Polarization	Frequency (MHz)	Measured Power (dBm)	Power Limit (dBm)	Margin (dB)
V	39.380	-65.8	-39.5	-26.3
V	50.000	-66.7	-39.5	-27.2
V	52.490	-66.1	-39.5	-26.6
V	65.680	-65.7	-39.5	-26.2
V	78.785	-68.3	-39.5	-28.8
H	118.115	-64.7	-39.5	-25.2
H	131.225	-64.5	-39.5	-25.0
H	157.444	-65.1	-39.5	-25.6

NOTES:

1. Peak detector is used for the emission measurement.
2. All measurements were made at 3 meters.
3. Negative value in the margin column shows emission below limit.

## INTERTEK TESTING SERVICES

---

Company: RTX Consumer Products Hong Kong Ltd. Date of Test: June 24-July 7, 2008  
Model: MBU 400

### 4.9.3 Field Strength Calculation

The field strength is calculated by adding the reading on the Spectrum Analyzer to the factors associated with preamplifiers (if any), antennas, cables, pulse desensitization and average factors (when specified limit is in average and measurements are made with peak detectors). A sample calculation is included below.

$$FS = RA + AF + CF - AG + PD + AV$$

Where

- FS = Field Strength in dB $\mu$ V/m
- RA = Receiver Amplitude (including preamplifier) in dB $\mu$ V
- CF = Cable Attenuation Factor in dB
- AF = Antenna Factor in dB
- AG = Amplifier Gain in dB
- PD = Pulse Desensitization in dB
- AV = Average Factor in -dB

In the radiated emission table which follows, the reading shown on the data table may reflect the preamplifier gain. An example of the calculations, where the reading does not reflect the preamplifier gain, follows:

$$FS = RA + AF + CF - AG + PD + AV$$

#### Example

Assume a receiver reading of 62.0 dB $\mu$ V is obtained. The antenna factor of 7.4 dB and cable factor of 1.6 dB is added. The amplifier gain of 29.0 dB is subtracted. The pulse desensitization factor of the spectrum analyzer is 0.0 dB, and the resultant average factor is -10.0 dB. The net field strength for comparison to the appropriate emission limit is 32.0 dB $\mu$ V/m. This value in dB $\mu$ V/m is converted to its corresponding level in  $\mu$ V/m.

RA = 62.0 dB $\mu$ V  
AF = 7.4 dB  
CF = 1.6 dB  
AG = 29.0 dB  
PD = 0.0 dB  
AV = -10 dB

$$FS = 62.0 + 7.4 + 1.6 - 29.0 + 0.0 + (-10.0) = 32.0 \text{ dB}\mu\text{V/m}$$

$$\text{Level in mV/m} = \text{Common Antilogarithm} [(32.0 \text{ dB}\mu\text{V/m})/20] = 39.8 \mu\text{V/m}$$

## INTERTEK TESTING SERVICES

---

Company: RTX Consumer Products Hong Kong Ltd. Date of Test: June 24-July 7, 2008  
Model: MBU 400

### 4.9.4 Average Factor Calculation and Transmitter ON Time Measurements, FCC Rule 15.35(b), (c)

- The EUT antenna output port was connected to the input of the spectrum analyzer. The analyzer center frequency was set to EUT RF channel carrier. The SPAN function on the analyzer was set to ZERO. The transmitter ON time was determined from the resultant time-amplitude display:

Please refer to the attached plots for more details:

Plot 5A: Transmitter ON Time Measurements (Traffic Carrier)

Plot 5B: Transmitter ON Time Measurements (Dummy Carrier)

The plots of Transmitter ON Time Measurements are saved as filename: txon.pdf

- Please refer to the attached transmitter timing diagram that are provided by manufacturer
- Not applicable - No average factor is required.
- Please refer to Exhibit 2.2 Technical Description for more details

## INTERTEK TESTING SERVICES

---

Company: RTX Consumer Products Hong Kong Ltd. Date of Test: June 24-July 7, 2008  
Model: MBU 400

### 4.10 AC Power Lines Conducted Emissions from Transmitter portion of EUT, FCC Rule 15.315:

The AC power lines conducted emission shall not exceed the limits of FCC Rule 17.207.

Measurements are made in accordance with ANSI C63.4 sub-clause 7. Emissions that are directly caused by digital circuits in the transmit path and transmitter portion are measured.

Not applicable – EUT is only powered by battery for operation.

EUT connects to AC power lines. Emission Data are listed in following pages.  
Please refer to the section 4.10.1 to 4.10.2 for more details.

## INTERTEK TESTING SERVICES

---

Company: RTX Consumer Products Hong Kong Ltd. Date of Test: June 24-July 7, 2008  
Model: MBU 400  
Mode: Talk (Through PSTN)

### 4.10.1 AC Power Lines Conducted Emissions Configuration Photographs:

Worst Case AC Power Line Conducted Emission  
at

1.845 MHz

The worst case AC power Line conducted emission configuration photographs are saved  
as filename: config photos.pdf

## INTERTEK TESTING SERVICES

---

Company: RTX Consumer Products Hong Kong Ltd. Date of Test: June 24-July 7, 2008  
Model: MBU 400  
Mode: Talk (Through PSTN)

### 4.10.2 AC Power Line Conducted Emissions Data:

The data on the following pages list the significant emission frequencies, the limit, and the margin of compliance.

Judgment -

Passed by 2.8 dB margin compare with the average limit

The worst case AC power line conducted emission data are saved as filename:  
conduct.pdf

### **TEST ENGINEER:**



---

*Signature*

Ken Sit, Supervisor  

---

*Typed/Printed Name*

July 30, 2008  

---

*Date*

## INTERTEK TESTING SERVICES

---

Company: RTX Consumer Products Hong Kong Ltd.    Date of Test: June 24-July 7, 2008  
Model: MBU 400

### 4.11 Radiated Emissions from Computing Device Peripheral Portion of EUT, FCC Rule 15.109(a):

EUT includes computing device peripheral circuitry and is subject to the requirements of FCC Part 15 Subpart B. The radiated emission shall not exceed the limits of FCC Rule 15.109(a).

Measurements are made in accordance with ANSI C63.4 sub-clause 8 and section 3.1. Radiated emissions shall be measured with EUT operating in typical operation modes. The spectrum analyzer resolution bandwidth was 100 kHz or greater for frequencies below 1000 MHz.

- [ x ] Not applicable – No computing device peripheral
  
- [ ] The computing device peripheral portion of EUT is subject to FCC Part 15 Subpart B, Certification. Please refer to the section 4.11.1 for more details.
  
- [ ] The computing device peripheral portion of EUT is subject to FCC Part 15 Subpart B, DoC. Emission Data are included in the separated DoC report.

## INTERTEK TESTING SERVICES

---

Company: RTX Consumer Products Hong Kong Ltd. Date of Test: June 24-July 7, 2008  
Model: MBU 400

### 4.12 AC Power Lines Conducted Emissions from Computing Device Peripheral Portion of EUT, FCC Rule 15.107(a):

EUT includes computing device peripheral and is subject to the requirements of FCC Part 15 Subpart B. The AC power lines conducted emission shall not exceed the limits of FCC Rule 15.107(a).

Measurements are made in accordance with ANSI C63.4 sub-clause 7. Conducted emissions shall be measured with EUT operating in typical operation modes.

- Not applicable – No computing device peripheral
- The computing device peripheral portion of EUT is subject to FCC Part 15 Subpart B, Certification. Please refer to the section 4.10.1 for more details.
- The computing device peripheral portion of EUT is subject to FCC Part 15 Subpart B, DoC. Emission Data are included in the separated DoC report.



## INTERTEK TESTING SERVICES

---

Company: RTX Consumer Products Hong Kong Ltd. Date of Test: June 24-July 7, 2008  
Model: MBU 400

### 4.13 Radio Frequency Radiation Exposure, FCC Rule 15.319(i):

EUT is subject to the radio frequency exposure requirements specified in FCC Rule §§ 1.1307(b), 2.1091 and 2.1093. It shall be considered to operate in a “general population / uncontrolled” environment.

- EUT was evaluated for Specific Absorption Rate (SAR) evaluation compliance according to OET Bulletin 65, Supplement C (Edition 01-01). It is in compliance with the SAR evaluation requirements. The caution statement specified in the user manual. A SAR test report was submitted at the same time and saved as SAR report 1 of 2.pdf and SAR report 2 of 2.pdf
- EUT was evaluated for Maximum Permissible Exposure (MPE) evaluation compliance according to OET Bulletin 65, Supplement C (Edition 01-01). The evaluation calculation results are saved as filename: RF exposure info.pdf.

## INTERTEK TESTING SERVICES

---

Company: RTX Consumer Products Hong Kong Ltd.    Date of Test: June 24-July 7, 2008  
Model: MBU 400

### 4.14 Frame Repetition Stability, FCC Rule 15.323(e):

- [ ] EUT implements Time Division Duplex (TDD) in order to support duplex connection on a given frequency carrier shall maintain a frame repetition rate whereby 3 X the standard deviation of the frequency stability shall not exceed 50 ppm, not including a shift of the mean.
  
- [ x ] EUT uses Time Division Multiple Access (TDMA) in order to support multiple communication links on a given frequency carrier shall maintain a frame repetition rate whereby 3 X standard deviation of the frequency stability shall not exceed 10 ppm, not including a shift of the mean.

Measurements are made in accordance with ANSI C63.17 sub-clause 6.2.2. Test setup is shown in section 3.2 Figure 3.2.1. A spectrum analyzer measures the time duration between rising edges of two consecutive frames over a time period of at least 1000 frame periods. These measurement values are used to compute the 3 X standard deviation of the frequency stability.

### Test Results:

Maximum Frame Repetition Stability (ppm)	Limit (ppm)	Results
<0.0001	10	Pass

## INTERTEK TESTING SERVICES

---

Company: RTX Consumer Products Hong Kong Ltd.    Date of Test: June 24-July 7, 2008  
Model: MBU 400

### 4.15 Frame Period and Jitter, FCC Rule 15.323(e):

The frame period (a set of consecutive time slots in which the position of each time slot can be identified by reference to a synchronizing source) of EUT operating in these sub-bands shall be 20 ms or 10 ms/X where X is a positive whole number.

The jitter (time-related, abrupt, spurious variations in the duration of the frame interval) introduced at the two ends of such a communication link shall not exceed 25  $\mu$ s for any two consecutive transmissions. Transmissions shall be continuous in every time and spectrum window during the frame period defined for EUT.

Measurements are made in accordance with ANSI C63.17 sub-clause 6.2.3. Test setup is shown in section 3.2 Figure 3.2.1. A spectrum analyzer measures the time duration between the rising edges of two consecutive frames. The measurements are taken over 100,000 frames. These measurement values are used to compute mean value and the difference between any two consecutive frame periods. The mean value is the frame period.

### Test Results:

#### I. Jitter

Measured Maximum Jitter ( $\mu$ s)	Limit ( $\mu$ s)	Results
-0.3731	$\pm 25$	Pass

## INTERTEK TESTING SERVICES

---

Company: RTX Consumer Products Hong Kong Ltd.    Date of Test: June 24-July 7, 2008  
 Model: MBU 400

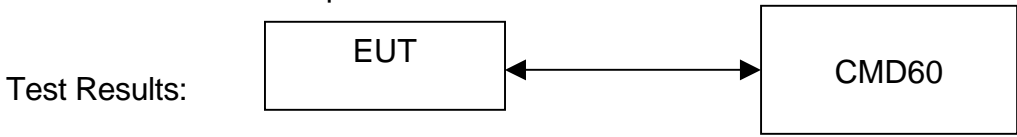
### 4.16 Carrier Frequency Stability, FCC Rule 15.323(f):

The carrier frequency stability of EUT shall be maintained within +/-10 ppm at the following conditions:

1. Over 1 hour at nominal supply voltage and a temperature of +20 °C;
2. Over a variation in the primary supply voltage of 85 % to 115 % of nominal supply voltage at a temperature of +20 °C. This test does not apply to an EUT that is only powered by battery for operation;
3. Over a temperature variation of -20 °C to +50 °C or at extreme temperatures as declared by manufacturer, and at nominal supply voltage.

The nominal supply voltage: 120 VAC and the extreme temperatures of -20°C to +50°C are declared by manufacturer.

Measurements are made in accordance with ANSI C63.17 sub-clause 6.2.1 The EUT and CMD60 is connected with shielded coaxial cable. The EUT is controlled by DECT Radio Communication Tester, CMD60, to use a fixed frequency channel during test as well as record the frequency offset. The transmission of EUT is in burst mode with pseudo-random data. Test setup is shown as follows.



#### I. Carrier Frequency Stability over time

Supply Voltage	Temperature (°C)	Measured Frequency Offset Over an hour (ppm)		Limit (ppm)	Results
		Max.	Min.		
Nominal	+20°C	0.69	-0.87	±10	Pass

#### II. Carrier Frequency Stability over Power Supply Voltage

Supply Voltage	Temperature (°C)	Measured Frequency Offset (ppm)	Limit (ppm)	Results
85%	+20°C	1.21	±10	Pass
115%	+20°C	0.17	±10	Pass

#### III. Carrier Frequency Stability over Temperature

Supply Voltage	Temperature (°C)	Measured Frequency Offset (ppm)	Limit (ppm)	Results
Nominal	-20°C	-6.59	±10	Pass
Nominal	+50°C	-1.39	±10	Pass

## INTERTEK TESTING SERVICES

---

Company: RTX Consumer Products Hong Kong Ltd.    Date of Test: June 24-July 7, 2008  
Model: MBU 400

### 4.17 Monitoring Threshold:

Monitoring threshold can be relaxed according to FCC Rule 15.323(c)(9). EUT that has a power output lower than the maximum permitted under FCC Rule 15.319(c) may increase their monitoring detection threshold by one decibel for each one decibel that the transmitter power is below the maximum permitted.

Calculation of Monitoring Threshold Limit:

$$\begin{aligned} \text{Monitoring Threshold } (T) &\leq -174 + 10 \log_{10} B + M + P_{\max} - P_{\text{EUT}} \text{ dBm} \\ &\leq 15 \log_{10} B - 184 + M - P_{\text{EUT}} \text{ dBm} \end{aligned}$$

Where  $B$  = Measured Emission Bandwidth: 1.35 x10<sup>6</sup> Hz  
 $M$  = 30 dB for Lower Monitoring Threshold ( $T_L$ ), or  
= 50 dB for Upper Monitoring Threshold ( $T_U$ )  
 $P_{\max}$  = 5 log<sub>10</sub>  $B$  – 10 dBm  
 $P_{\text{EUT}}$  = Measured Peak Transmit Power: 19.24 dBm

Calculated Monitoring Threshold Limits:

Lower Monitoring Threshold ( $T_L + U_M$ ) in dBm	-75.3
Upper Monitoring Threshold ( $T_U + U_M$ ) in dBm	-55.3

## INTERTEK TESTING SERVICES

---

Company: RTX Consumer Products Hong Kong Ltd.    Date of Test: June 24-July 7, 2008  
Model: MBU 400

### 4.17.1 Lower Monitoring Threshold, FCC Rule 15.323(c)(2):

- [ x ] Not applicable – EUT which supports at least of 40 duplex system access channels and implements Least Interfered Channel (LIC) algorithm is permitted to use an upper monitoring threshold. Please refer to the section 4.17.2 for more details.
- [ ] The lower monitoring threshold must not be more than 30 dB above the thermal noise power for a bandwidth equivalent to the emission bandwidth used by EUT.

Measurements are made in accordance with ANSI C63.17 sub-clause 7.3.1(b). Test setup is shown in section 3.3 Figure 3.3.1. The test is performed on the carrier closest to center of the band. RF signal generators apply uniform CW interference on all EUT carriers each at level  $T_L + U_M + 10$  dB. Then, the interference level is reduced uniformly on all carriers until the EUT can transmit. The interference level shall be lower than or equal to the threshold limit.

### Test Results:

Measured Maximum Interference Level (dBm)	Lower Monitoring Threshold Limit (dBm)	Results
NA	-75.3	NA

NA - Not applicable

## INTERTEK TESTING SERVICES

---

Company: RTX Consumer Products Hong Kong Ltd.    Date of Test: June 24-July 7, 2008  
Model: MBU 400

### 4.17.2 Least Interfered Channel, LIC, FCC Rule 15.323(c)(5):

- [ ] Not implemented – EUT met lower monitoring threshold requirements. Please refer to the section 4.17.1 for more details
  
- [ × ] If access to spectrum is not available as determined by section 4.17.1 and a minimum of 40 duplex system access channels are defined for the EUT, the time and spectrum windows with the lowest power level below a monitoring threshold of 50 dB above the thermal noise power determined for the emission bandwidth may be accessed

Number of duplex channels per frequency channel        = 12  
Number of frequency channel                                = 5  
Total Duplex Channels                                        = 60

Hence, the time and spectrum windows below upper monitoring threshold may be accessed.

### 4.17.2.1 Upper Monitoring Threshold, FCC Rule 15.323(c)(5):

Measurements are made in accordance with ANSI C63.17 sub-clause 7.3.2(b). Test setup is shown in section 3.3 Figure 3.3.1. The test is performed on the carrier closest to center of the band. RF signal generators apply uniform CW interference on all EUT carriers each at level  $T_U + U_M + 10$  dB. Then, the interference level is reduced uniformly on all carriers until the EUT can transmit. The interference level shall be lower than or equal to the threshold limit ( $T_U + U_M$ ).

Test Results:

Measured Maximum Interference Level (dBm)	Upper Monitoring Threshold Limit (dBm) ( $T_U + U_M$ )	Results
-70.4	-55.3	Pass

## INTERTEK TESTING SERVICES

---

Company: RTX Consumer Products Hong Kong Ltd.    Date of Test: June 24-July 7, 2008  
 Model: MBU 400

### 4.17.2.2 Least Interfered Channel (LIC) Selection, FCC Rule 15.323(c)(5):

The criteria are specified in section 4.17.2. In addition, the power measurement resolution for this comparison must be accurate to within 6 dB.

Measurements are made in accordance with ANSI C63.17 sub-clause 7.3.3. Test setup is shown in section 3.3 Figure 3.3.1. RF signal generators apply uniform CW interference on all EUT carriers except two carriers (designated  $f_1$  and  $f_2$ ), each at level  $T_U + U_M$ . EUT can only transmit on these two carriers.

### Test Descriptions and Results:

#### II. LIC Procedure

	Test Descriptions	EUT transmits on	Results
1	Apply interference on $f_1$ at level $T_L + U_M + 7$ dB. Apply interference on $f_2$ at level $T_L + U_M$ . Initiate transmission. Verify transmission on $f_2$ . Terminate transmission. Repeat 5 times.	$f_2$	Pass
2	Apply interference on $f_1$ at level $T_L + U_M$ . Apply interference on $f_2$ at level $T_L + U_M + 7$ dB. Initiate transmission. Verify transmission on $f_1$ . Terminate transmission. Repeat 5 times.	$f_1$	Pass
3	Apply interference on $f_1$ at level $T_L + U_M + 1$ dB. Apply interference on $f_2$ at level $T_L + U_M - 6$ dB. Initiate transmission. Verify transmission on $f_2$ . Terminate transmission. Repeat 5 times.	$f_2$	Pass
4	Apply interference on $f_1$ at level $T_L + U_M - 6$ dB. Apply interference on $f_2$ at level $T_L + U_M + 1$ dB. Initiate transmission. Verify transmission on $f_1$ . Terminate transmission. Repeat 5 times.	$f_1$	Pass

NA - Not applicable



## INTERTEK TESTING SERVICES

---

Company: RTX Consumer Products Hong Kong Ltd. Date of Test: June 24-July 7, 2008  
Model: MBU 400

### 4.17.2.3 Least Interfered Channel (LIC) Confirmation, FCC Rule 15.323(c)(5):

EUT utilizing the provision of FCC Rule 15.323(c)(5) must have monitored all access channels defined for its system within the last 10 s and must verify, within the 20 ms (40 ms for EUT designed to use a 20 ms frame period) immediately preceding actual channel access that the detected power of the selected time and spectrum windows is no higher than the previously detected value.

Measurements are made in accordance with ANSI C63.17 sub-clause 7.3.4. This test is performed in section 4.18.

Results:

The tests are reported in section 4.18.

### 4.17.2.4 Maximum Spectrum Occupancy, FCC Rule 15.323(c)(5):

No EUT or group of co-operating EUTs located within 1 meter of each other shall during any frame period occupy more than 6 MHz of aggregate bandwidth, or alternatively, more than one third of the time and spectrum windows defined by the EUT.

Attestation:

According to the technical description provided, the total number of the time and spectrum windows defined by the system is  $5 \times 12 = 60$

During any frame period, the maximum number of time and spectrum windows occupied by the system will be 12, which is less than one third of the time and spectrum windows defined by the system.

## INTERTEK TESTING SERVICES

---

Company: RTX Consumer Products Hong Kong Ltd.    Date of Test: June 24-July 7, 2008  
Model: MBU 400

### 4.18 Monitoring Time, FCC Rule 15.323(c)(1):

Immediately prior to initiating transmission, EUT must monitor the combined time and spectrum windows in which they intend to transmit for a period of at least 10 ms for EUT designed to use a 10 ms or shorter frame period, or at least 20 ms for EUT designed to use a 20 ms frame period.

Measurements are made in accordance with ANSI C63.17 sub-clause 7.3.4. Test setup is shown in section 3.3 Figure 3.3.1. RF signal generators apply uniform CW interference on all system carriers except two carriers (designated  $f_1$  and  $f_2$ ), each at level  $T_U + U_M$ . EUT can only transmit on these two carriers.

### Test Descriptions and Results:

	Test Descriptions	EUT transmits on	Results
1	Apply interference on $f_1$ at level $T_U + U_M$ , and no interference on $f_2$ . Initiate transmission. Verify transmission on $f_2$ . Then, terminate transmission.	$f_2$	Pass
2	Apply interference on $f_2$ at level $T_U + U_M$ , and remove interference from $f_1$ immediately. Also immediately initiate transmission but is at least 20 ms after interference on $f_2$ is applied. Verify transmission on $f_1$ .	$f_1$	Pass

## INTERTEK TESTING SERVICES

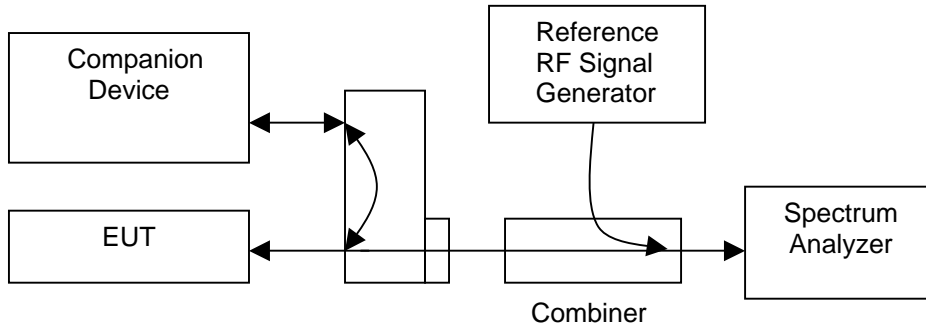
Company: RTX Consumer Products Hong Kong Ltd. Date of Test: June 24-July 7, 2008  
Model: MBU 400

### 4.19 Maximum Transmit Period, FCC Rule 15.323(c)(3):

If no signal above the threshold level is detected, transmission may commence and continue with the same emission bandwidth in the monitored time and spectrum windows without further monitoring. However, occupation of the same combined time and spectrum windows by a EUT or group of co-operating EUTs continuously over a period of time longer than 8 hours is not permitted without repeating the access criteria.

EUT establishes a communication channel with its companion device, which occupies the duplex pair combined time and spectrum windows. Reference RF signal generator synchronized with the sample and then generated a pulse as a time frame reference. The centre frequency of spectrum analyzer was set to the carrier frequency and the SPAN was set to ZERO. The spectrum analyzer was used to monitor the time (reference to the time signal) and spectrum of the communication channel. The occupied time or spectrum of the communication channel shall be changed over a period of time no longer than 8 hours. For a EUT with a frame period of 10/X ms, no more than 2,880,000 X frames should be transmitted without a break.

Test setup is shown as follows:



Test Results:

Measured Maximum Transmission Duration (seconds)	Limit (seconds)	Results
600	28,800	Pass

## INTERTEK TESTING SERVICES

---

Company: RTX Consumer Products Hong Kong Ltd.    Date of Test: June 24-July 7, 2008  
Model: MBU 400

### 4.20 System Acknowledgement, FCC Rule 15.323(c)(4):

Once access to specific combined time and spectrum windows is obtained an acknowledgment from a system participant must be received by the initiating transmitter within one second or transmission must cease. Periodic acknowledgments must be received at least every 30 seconds or transmission must cease. Channels used exclusively for control and signaling information may transmit continuously for 30 seconds without receiving an acknowledgment, at which time the access criteria must be repeated.

Measurements are made in accordance with ANSI C63.17 sub-clause 8.1.1 and 8.2.1. Test setup is shown in section 3.3 Figure 3.3.1.

#### Test Results:

[ x ] Timing for EUTs using control and signaling channel type transmissions:

Conditions	Transmission Duration (seconds)	Limit (seconds)	Results
Time needed to repeat access criteria	1.28	30	Pass

[ x ] Timing for EUTs using communications channel type transmissions:

Conditions	Transmission Duration (seconds)	Limit (seconds)	Results
Activate EUT w/ companion device off	NA	1	NA
Time needed to cease Traffic Channel	4.90	30	Pass

NA - Not applicable

## INTERTEK TESTING SERVICES

---

Company: RTX Consumer Products Hong Kong Ltd.    Date of Test: June 24-July 7, 2008  
Model: MBU 400

### 4.21 Random Waiting, FCC Rule 15.323(c)(6):

If the selected combined time and spectrum windows are unavailable, the EUT may either monitor and select different windows or seek to use the same windows after waiting an amount of time, randomly chosen from a uniform random distribution between 10 and 150 ms, commencing when the channel becomes available.

Measurements are made in accordance with ANSI C63.17 sub-clause 8.1.2 and 8.1.3. Test setup is shown in section 3.3 Figure 3.3.1.

### Test Results:

Random Waiting Interval is not implemented in the EUT:

Conditions	Transmit Channel	Results
Interference applied at operating Channel, $f_1$	$f_2$	Pass

Random waiting is implemented in the EUT:

Maximum time interval from the end of interference to the start of the control channel	The distribution of the measured time intervals	Results
NA	Uniform / Non-uniform	NA

NA - Not applicable

## INTERTEK TESTING SERVICES

---

Company: RTX Consumer Products Hong Kong Ltd.    Date of Test: June 24-July 7, 2008  
Model: MBU 400

### 4.22 Monitoring Bandwidth, FCC Rule 15.323(c)(7).1:

The monitoring bandwidth must be equal to or greater than the emission bandwidth of the intended transmission.

Measurements are made in accordance with ANSI C63.17 sub-clause 7.4. Test setup is shown in section 3.3 Figure 3.3.1.

Attestation:

Monitoring is made through the radio receiver used by the EUT for communication. Please refer to the Exhibit 2.2 Technical Description for more details.

Compliance is demonstrated by Monitoring Bandwidth Tests as shown below.

Test Results:

#### I. Simple Compliance Test Results:

Interference from Carrier	Reaction of EUT	Results
-30% EBW	NA	NA
+ 30% EBW	NA	NA

#### II. Detailed Compliance Test Results:

CW Interference from Carrier	Reaction of EUT	Results
+ 6 dB	NA	NA
+ 12 dB	NA	NA
- 6 dB	NA	NA
- 12 dB	NA	NA

- A – Could Transmit
- B – Could not Transmit
- NA – Not applicable

\*Remarks: Detailed Compliance Test was used to show the compliance of the EUT.

## INTERTEK TESTING SERVICES

---

Company: RTX Consumer Products Hong Kong Ltd.    Date of Test: June 24-July 7, 2008  
Model: MBU 400

### 4.23 Maximum Reaction Time, FCC Rule 15.323(c)(7).2:

The monitoring system bandwidth must have a maximum reaction time less than  $50 \times \text{SQRT}(1.25/\text{emission bandwidth } B \text{ in MHz}) \mu\text{s}$  for signals at the applicable threshold level but shall not be required to be less than  $50 \mu\text{s}$ . If a signal is detected that is 6 dB or more above the applicable threshold level, the maximum reaction time shall be  $35 \times \text{SQRT}(1.25/\text{emission bandwidth } B \text{ in MHz}) \mu\text{s}$  but shall not be required to be less than  $35 \mu\text{s}$ .

Measurements are made in accordance with ANSI C63.17 sub-clause 7.5. Test setup is shown in section 3.3 Figure 3.3.1.

### Test Results:

	Test	Reaction of EUT	Results
1	With Interference Pulse, 50 $\mu\text{s}$	B	Pass
2	With Interference Pulse, 35 $\mu\text{s}$	B	Pass

- A – Could be connected in at least one channel
- B – Could not be connected in all channels
- NA – Not applicable

## INTERTEK TESTING SERVICES

---

Company: RTX Consumer Products Hong Kong Ltd. Date of Test: June 24-July 7, 2008  
Model: MBU 400

### 4.24 Monitoring Antenna, FCC Rule 15.323(c)(8):

The monitoring system shall use the same antenna used for transmission, or an antenna that yields equivalent reception at that location.

EUT uses the same antenna used for transmission and monitoring that is in compliance meet above provision.

EUT uses difference antenna used for transmission and monitoring. It must be verified that the monitoring antenna provides coverage equivalent to that of the transmitting antenna. Measurements are made in accordance with ANSI C63.17 sub-clause 4.



## INTERTEK TESTING SERVICES

---

Company: RTX Consumer Products Hong Kong Ltd.    Date of Test: June 24-July 7, 2008  
Model: MBU 400

### 4.25 Duplex Connections, FCC 15.323(c)(10):

An initiating device may attempt to establish a duplex connection by monitoring both its intended transmit (Tx) and receive (Rx) time and spectrum windows. If both the intended transmit and receive time and spectrum windows meet the access criteria, then the initiating device can initiate a transmission in the intended transmit time and spectrum window. If the power detected by the responding device can be decoded as a duplex connection signal from the initiating device, then the responding device may immediately begin transmitting on the receive time and spectrum window monitored by the initiating device.

Measurements are made in accordance with ANSI C63.17 sub-clause 8.3. Test setup is shown in section 3.3 Figure 3.3.1.

Attestation:

Not applicable.

The EUT is the initiating device of the duplex connection

Test Results:

Dual Access Criteria Check for EUT not Implemented the Upper Threshold:

Interference	Reaction of EUT	Results
All Tx and Rx Window, except one for Rx Window	NA	NA
All Tx and Rx Window, except one for Tx Window	NA	NA

- A – Could be connected on the target Rx window and its duplex mate
- B – Could be connected on the target Tx window and its duplex mate
- C – Could not be connected
- NA – Not applicable

## INTERTEK TESTING SERVICES

---

Company: RTX Consumer Products Hong Kong Ltd.    Date of Test: June 24-July 7, 2008  
 Model: MBU 400

### 4.25 Duplex Connections, FCC 15.323(c)(10): continued

[ ] Dual Access Criteria Check for EUT Implemented the Upper Threshold:

Interference	Reaction of EUT	Results
All Tx windows with level $T_L + U_M$ & Rx windows with level $T_L + U_M + 7\text{dB}$ , except one for Tx window & one for Rx window, which are not duplex.	NA	NA
All Tx windows with level $T_L + U_M + 7\text{dB}$ & Rx windows with level $T_L + U_M$ , except one for Tx window & one for Rx, which are not duplex	NA	NA
All Tx & Rx windows with level $T_U + U_M$ , except one for Tx window & one for Rx Window, which are not duplex	NA	NA

- A – Could be connected on the target Rx window and its duplex mate
- B – Could be connected on the target Tx window and its duplex mate
- C – Could not be connected
- NA – Not applicable

## INTERTEK TESTING SERVICES

---

Company: RTX Consumer Products Hong Kong Ltd.    Date of Test: June 24-July 7, 2008  
Model: MBU 400

### 4.26 Alternative Monitoring Interval for Co-located Device, FCC Rule 15.323(c)(11):

An initiating device that is prevented from monitoring during its intended transmit window due to monitoring system blocking from the transmissions of a co-located (within one meter) transmitter of the same system, may monitor the portions of the time and spectrum windows in which they intend to receive over a period of at least 10 ms. The monitored time and spectrum window must total at least 50 % of the 10 ms frame interval and the monitored spectrum must be within the 1.25 MHz frequency channel(s) already occupied by that device or co-located co-operating devices. If the access criteria is met for the intended receive time and spectrum window under the above conditions, then transmission in the intended transmit window by the initiating device may commence.

Measurements are made in accordance with ANSI C63.17 sub-clause 8.4.

#### Attestation:

- [ ] Appropriate as it is Co-located Device, in which the monitoring system will be blocked from the transmissions of a co-located (Within one meter) transmitter of the same system. Please refer to attachment, 15.323(c)(11).pdf, for details.
  
- [ x ] Not appropriate, as it is Cordless Telephone Application.

## INTERTEK TESTING SERVICES

---

Company: RTX Consumer Products Hong Kong Ltd. Date of Test: June 24-July 7, 2008  
Model: MBU 400

4.27 Fair Access, FCC Rule 15.323(c)(12):

The provisions of FCC Rule 15.323(c)(10) or (c)(11) shall not be used to extend the range of spectrum occupied over space or time for the purpose of denying fair access to spectrum to other devices.

Attestation:

The manufacturer declares that the device does not use any mechanisms as provided by Part 15.323(c)(10) or (c)(11) to extend the range of spectrum occupied over space or time for the purpose of denying fair access to spectrum to other devices.

The Declaration is saved as filename: declaration.pdf.

**EXHIBIT 5  
EQUIPMENT PHOTOGRAPHS**

## INTERTEK TESTING SERVICES

---

### 5.0 Equipment Photographs

The photographs are saved as filename: external photos.pdf & internal photos.pdf

**EXHIBIT 6  
PRODUCT LABELLING**

## INTERTEK TESTING SERVICES

---

### 6.0 Product Labelling

The FCC ID label artwork and its location are saved as filename: label.pdf



**EXHIBIT 7  
TECHNICAL SPECIFICATIONS**

## INTERTEK TESTING SERVICES

---

### 7.0 Technical Specifications

The block diagram and circuit diagram are saved as filename: block.pdf and circuit.pdf respectively.

**EXHIBIT 8  
INSTRUCTION MANUAL**

## INTERTEK TESTING SERVICES

---

### 8.0 Instruction Manual

A preliminary copy of the Instruction Manual is saved as filename: manual.pdf.

The required FCC Information to the User is stated on the of Instruction Manual.

This manual will be provided to the end-user with each unit sold/leased in the United States.

**EXHIBIT 9  
UTAM Affidavit**

## INTERTEK TESTING SERVICES

---

### 9.0 UTAM Affidavit

A copy of the UTAM affidavit is saved as filename: utam.pdf

**INTERTEK TESTING SERVICES**

---

**EXHIBIT 10  
LETTER OF AGENCY**

## INTERTEK TESTING SERVICES

---

### 10.0 Letter of Agency

A copy of the Letter of Agency is saved as filename: letter of agency.pdf



**INTERTEK TESTING SERVICES**

---

**EXHIBIT 11  
CONFIDENTIALITY REQUEST**

## INTERTEK TESTING SERVICES

---

### 11.0 Confidentiality Request

A copy of the Confidentiality Request is saved as filename: request.pdf