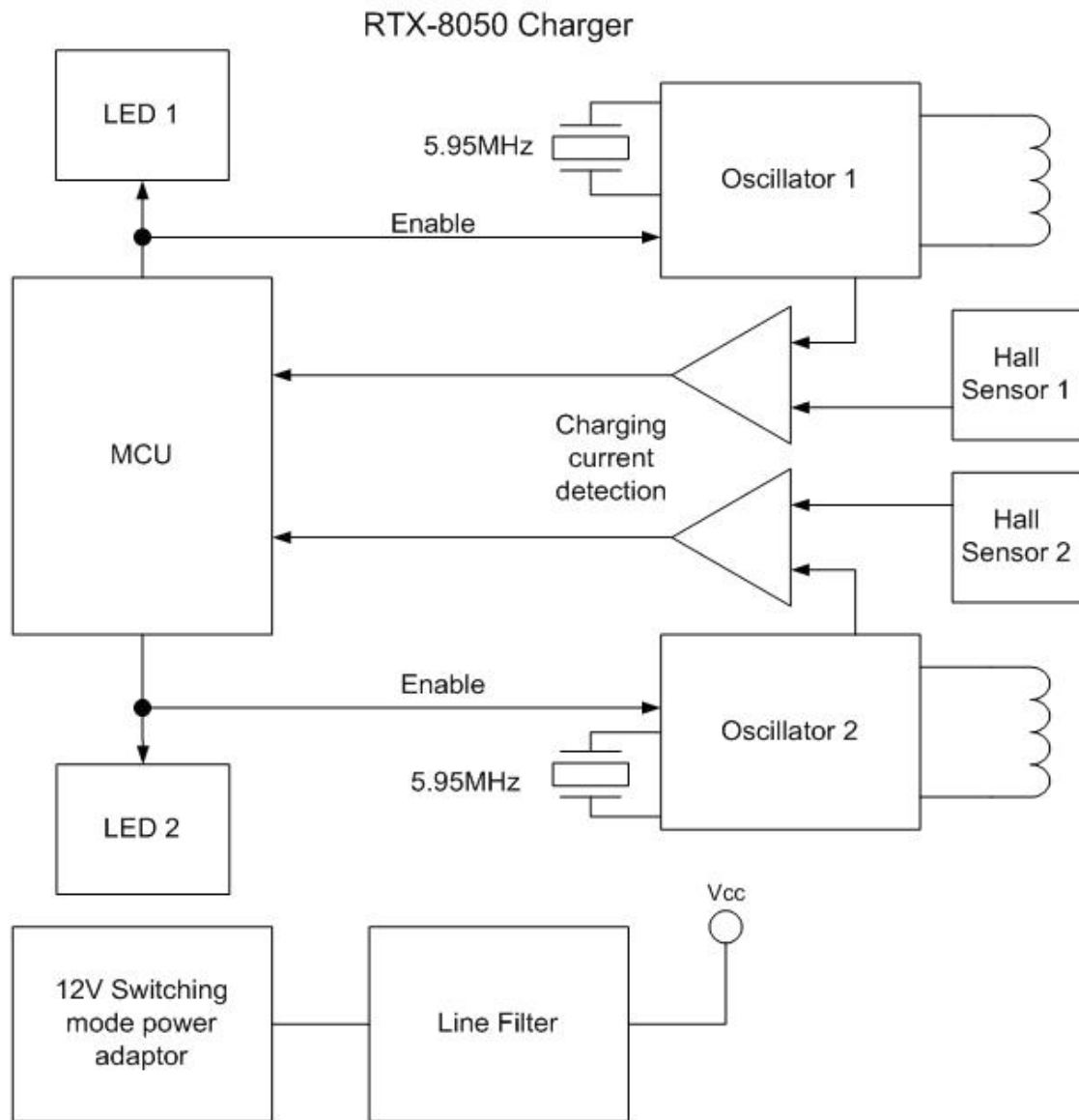


# RTX8050 Circuit Description and Block Diagram

## 1 ChargerUnit



<b>Date:</b> 21 July, 2008	<b>RTX8050 Circuit description and Block Diagram</b>	
<b>File:</b> RTX8050_Phantom_Technical_description_V1.doc	<b>Ref.:</b> BIL/KSC	<b>Page:</b> 1 of 9

This document and the information contained is property of RTX Telecom A/S, Denmark, and should be regarded as confidential. Unauthorized copying is not allowed. The information in this document is believed to be correct at the time of writing. RTX Telecom A/S reserves the right at any time to change said content, circuitry and specifications.