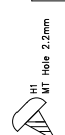
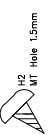


F1 Fiducial Mark  
F2 Fiducial Mark  
F3 Fiducial Mark  
F4 Fiducial Mark

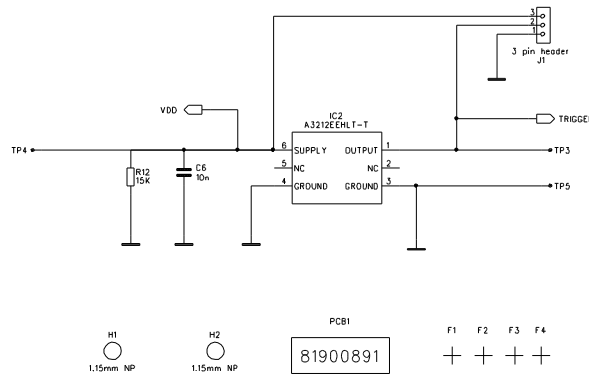


PCB1  
81900873

PROJECT	RTX8050	VER	3
TITLE	Inductive Charging cradle	REV	D
DATE	23-09-08	REF	KSC
FILENAME	RTX8050_Icharger_V3_RD.sch		
SHEET OF SHEETS	1/1		



LED PCB



PROJECT	RTX8050	VER	1
TITLE	Hall Sensor	REV	A
DATE	2/4/2008	REF	KKW
FILENAME	RTX8050_Hall_V1_RA.sch		
SHEET OF SHEETS	1/1		

