

## LED Indicators



LED	Name	Indicator
	Power	Green = On or Standby
	Network	Green = Network available Off = Network unavailable
	Battery	Orange = Battery is charging Off = Battery is charged or power is not connected.

## Basic Operation

### Before You Start

The n\_sight MCD2000 is designed to communicate with an MCA (Mobile Collaboration Application) software client on a PC, using a network that has already been set up and configured.

- For more information on operating the MCD2000, see the MCD2000 User Manual provided on the n\_sight CD.
- For information on the MCA software client, see the MCA User Manual provided on the n\_sight CD.

### Turning Power On

If the MCD is Off or in Standby mode, press and release the power button.

### Going to Standby

Press and release the power button to go to Standby mode. The Viewfinder turns off to use less power but the Power LED remains on.

**Note:** The MCD will automatically enter Standby mode if it is on but not used for a period (default two minutes).

### Turning Power Off

If the MCD is On or in Standby mode, press and hold the power button for two seconds to turn the MCD Off.

## Logging in

If your installation requires a login, you will be prompted with a login screen on the Viewfinder, as shown below.

To login:

1. Tap the Username field with the stylus and select your user name from the list (your site administrator will provide this to you).
2. Tap the Password field with the stylus. An onscreen keyboard will appear.
3. Use the stylus to tap characters to enter them in the Password field.
4. Tap the Login button to finish logging in.



Logging in on the Viewfinder screen

**Important:** When you are using the Viewfinder screen, always use the stylus provided with the MCD2000. Do not use other objects, as this could damage the Viewfinder screen.

### Displaying the Directory

Press the **Send** button to display the Directory window.

### Starting a Call

Display the Directory and use the stylus or navigation pad to select a name from the Local Contacts list. Then press **Send** to start the call. You will hear outgoing rings or a busy signal.

### Answering an Incoming Call

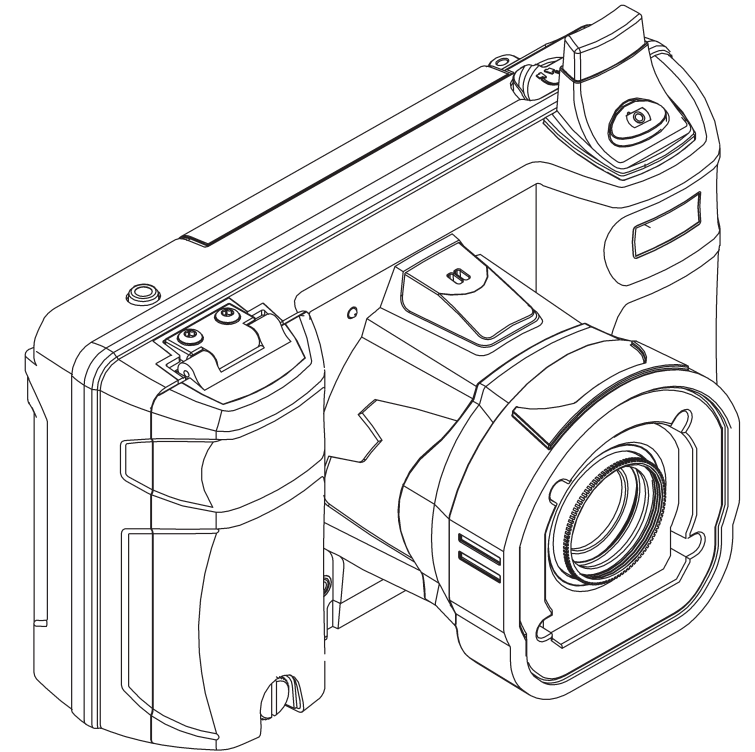
To answer a call, press **Send**.

### Turning Streaming On or Off

When a call has been established (you can talk to the other user), press the green button on top of the MCD to start streaming media to the MCA software client. Press it again to stop streaming.

### Ending a Call

To end a call, press the **End** button.



**LibreStream Technologies, Inc.**

General inquiries: 204.487.0612

Support: 800.849.5507

support@LibreStream.com

www.LibreStream.com

© LibreStream Technologies Inc. 2006 - 2008

**libreStream**<sup>TM</sup>  
freedom to collaborate

## Unpacking

When you unpack the MCD2000 you should find:

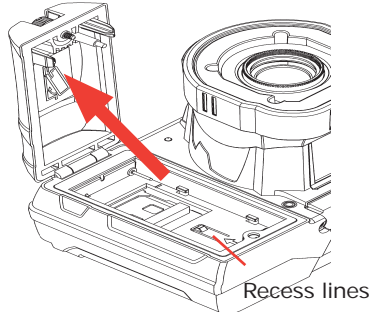
- MCD2000
- External Power Adapter
- Stylus (2)
- Battery
- Wrist Strap
- I/O Cover
- Power Plug
- Lens Cover
- Quick Start Guide (this document)
- CD of user manuals, end user license, copyright, and MCA software
- Safety and regulatory information



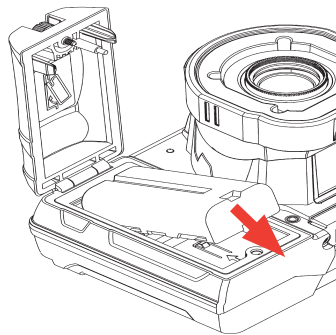
Before using the MCD2000-Ex, you must read the enclosed safety and regulatory information.

## Charging the Battery

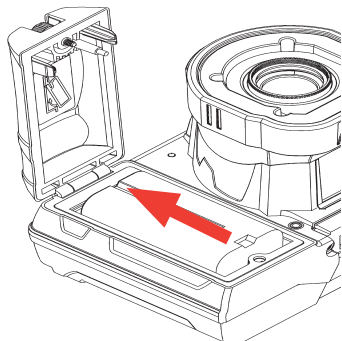
**Important:** Before using this device for the first time you must install and charge the battery.



Open the battery compartment door using the stylus screwdriver. Align the contact end of the battery with the small recess lines in the battery compartment.



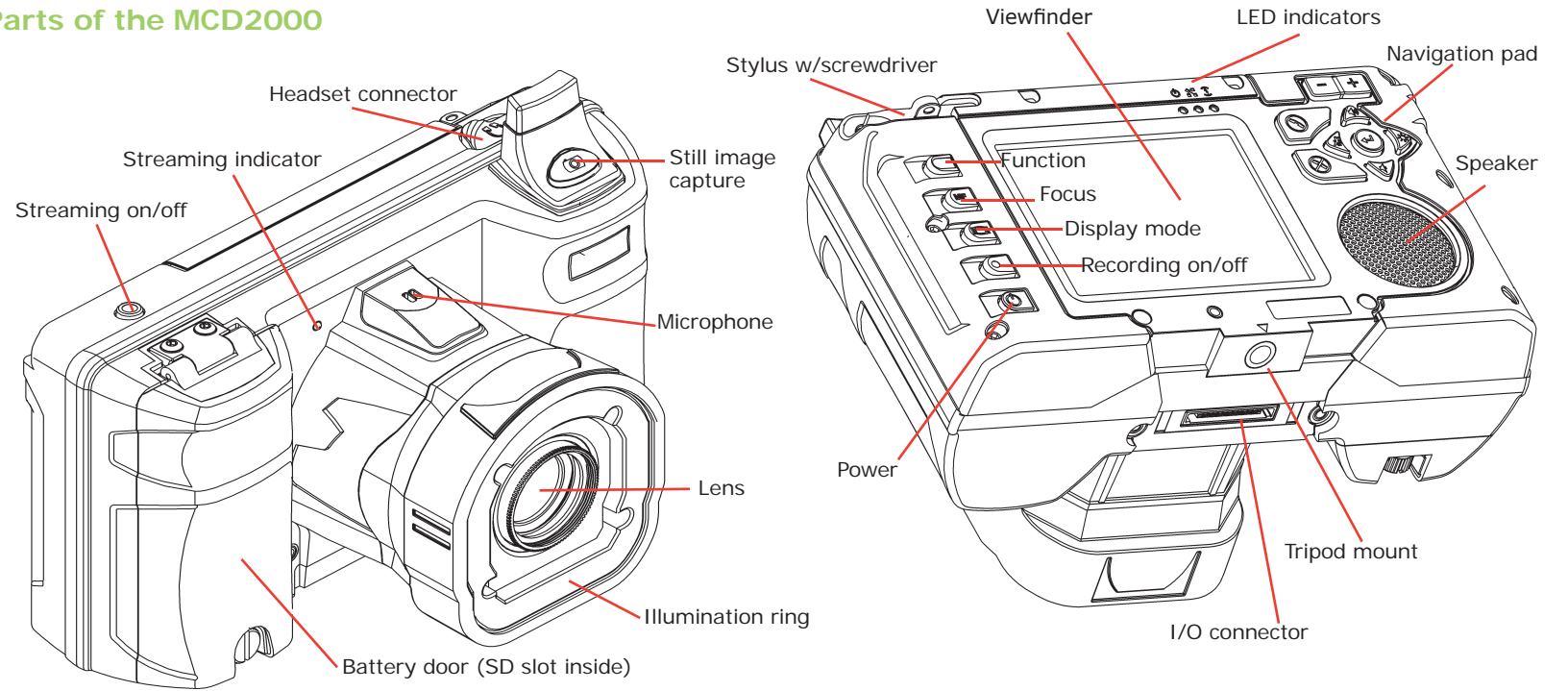
Slide the battery upward and rotate downward to place in battery well. When the battery is sitting flat on the compartment floor, slide the battery towards the compartment door until seated.



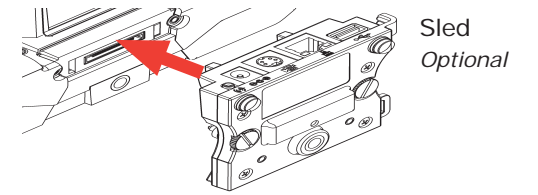
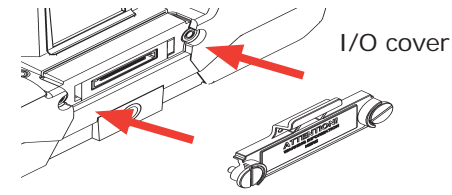
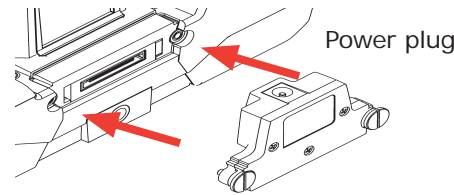
Close the battery compartment and tighten the screw. Note that the door will not close if the battery is not fully inserted.

Connect the external power plug and charge the battery until the orange LED turns off (up to eight hours).

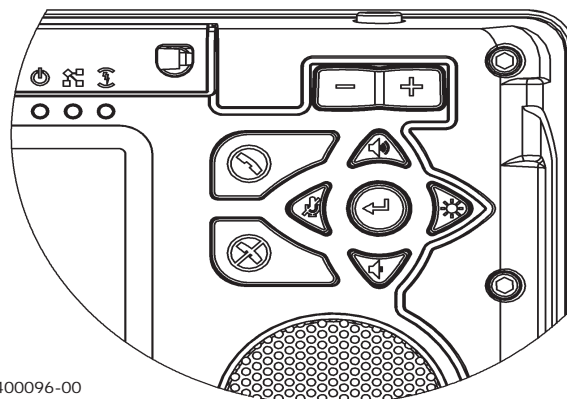
## Parts of the MCD2000



## Accessories



## Navigation Pad



Button	Function
	Start or accept call (Send)
	End a call
	Volume up
	Mic mute
	Volume down
	Illumination ring on/off
	Enter

PN 400096-00  
July 2008

**n sight**™  
Mobile Collaboration Device

**libreStream**  
freedom to collaborate