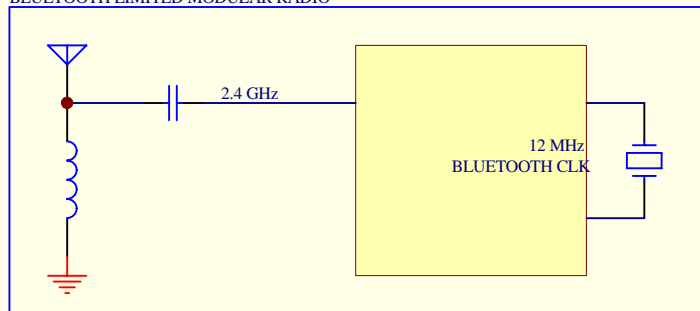
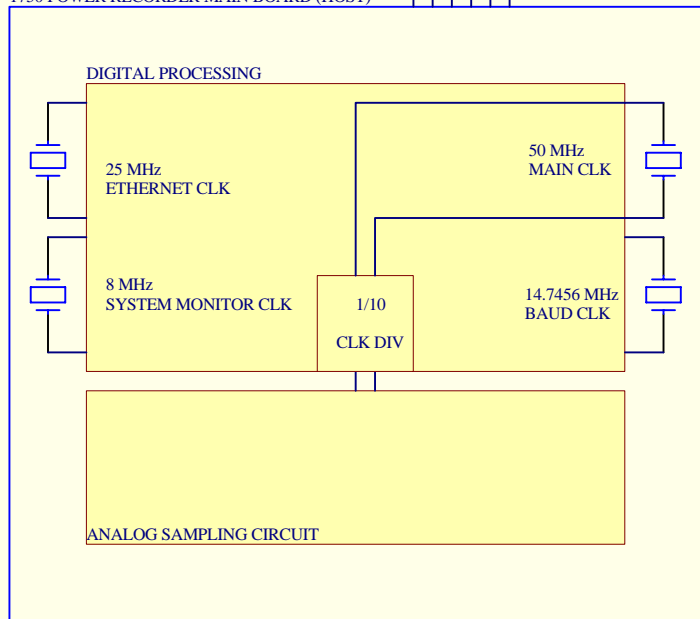


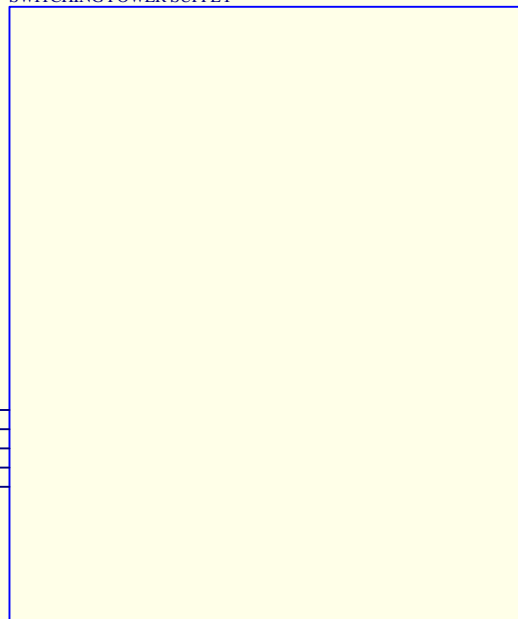
BLUETOOTH LIMITED MODULAR RADIO



1750 POWER RECORDER MAIN BOARD (HOST)



SWITCHING POWER SUPPLY



Title: FLUKE 1750 EMC BLOCK DIAGRAM			Fluke Corporation P.O. Box 9090 6920 Seaway Blvd Everett WA 98203
Size: A	Number: 1750-9002	Revision: A	
Date: 5-Jul-2006	Date: 12:11:00	Sheet: 0 of 0	
File: W:\prodev\lgrponly\Products\Fluke Network Products\Safety Block Diagrams\Safety Block Diagrams.ddb - 1750 Power Recorder FCC block diagram.Sch			