

Date: September 18, 2015

To Whom It May Concern:

Regarding: Unused RF connector in the TiS10, TiS20, TiS40, TiS45, TiS50, TiS55, TiS60, TiS65 family of thermal imagers.

The TiS family of thermal imagers contains a U.FL RF connector located on the main circuit board assembly. This connector is used for testing purposes only. In all product use, it is not connected to any other system component.

A section of the schematic is shown in figure 1. The U.FL connects only to C511 and C512, which are both de-populated.

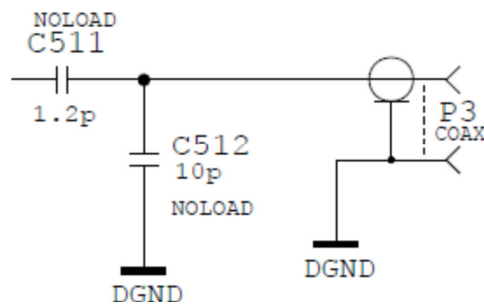


Figure 1.

Figure 2 shows a section of a production PCA, with C511 and C512 depopulated and U.FL P3 unconnected. Note that in the view below, C511 is vertical and shares a pad with C324, which horizontal, and to the right of C511.

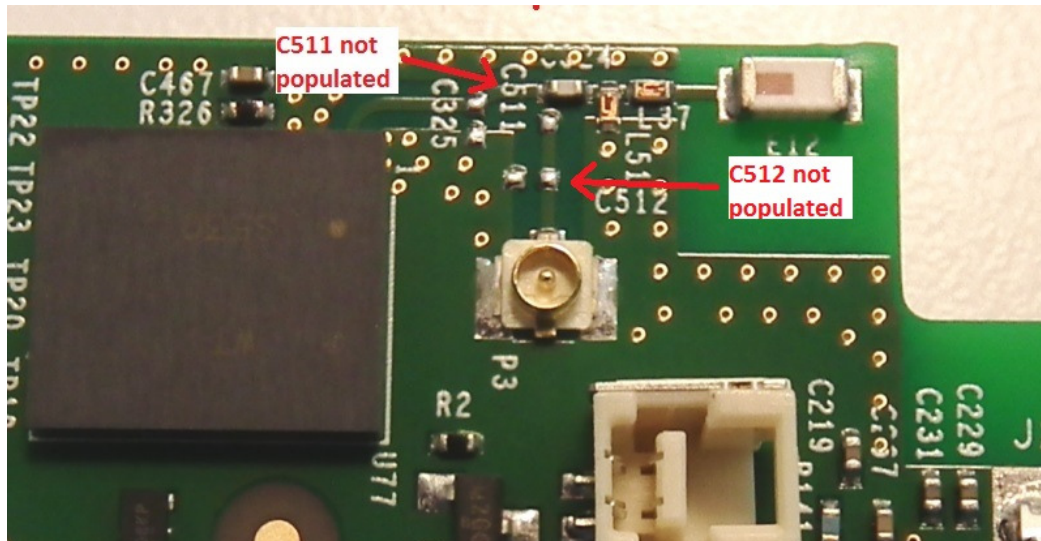


Figure 2.

Sincerely,

David Lentz
Hardware Engineering
Fluke Corporation