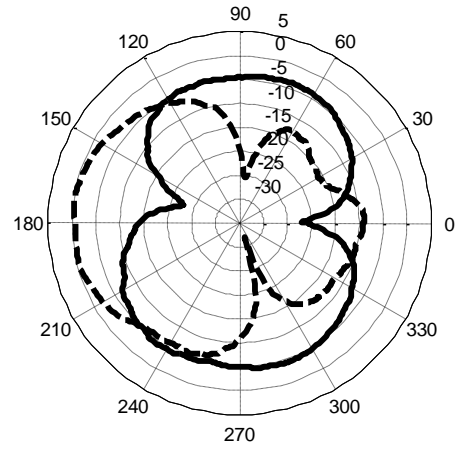


2.4 GHz



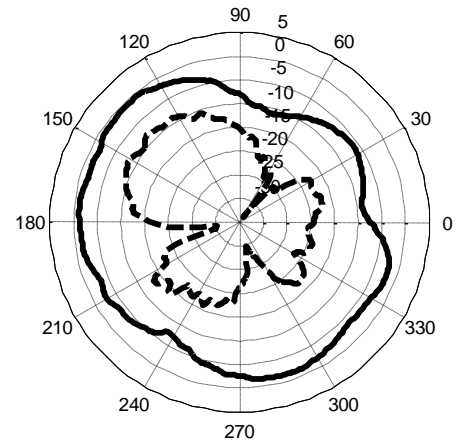
VERTICAL DUT



___ Vertical Polarization Gain (dBi) min: -22.7 max: -3.7 avg: -6.7
 ----- Horizontal Polarization Gain (dBi) min: -32.0 max: -0.2 avg: -6.0



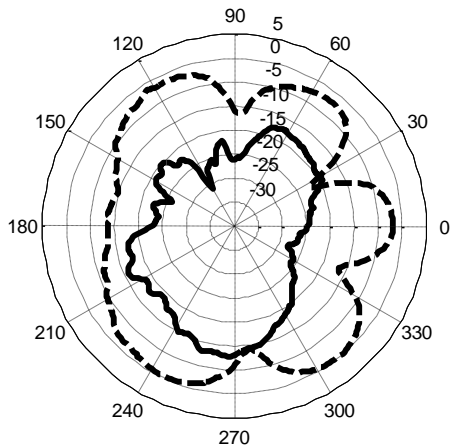
SIDE DUT



___ Vertical Polarization Gain (dBi) min: -11.2 max: -0.6 avg: -3.6
 ----- Horizontal Polarization Gain (dBi) min: -33.7 max: -8.2 avg: -14.8



FLAT DUT

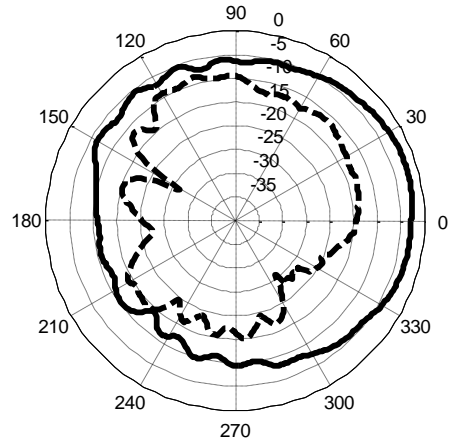


___ Vertical Polarization Gain (dBi) min: -26.1 max: -7.7 avg: -14.0
 ----- Horizontal Polarization Gain (dBi) min: -17.3 max: -0.1 avg: -3.6

1575.42 MHz (GPS)



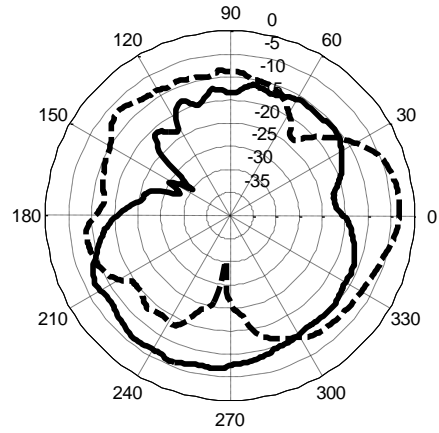
VERTICAL DUT



— Vertical Polarization Gain (dBi) min: -14.2 max: -2.1 avg: -5.9
 - - - Horizontal Polarization Gain (dBi) min: -26.7 max: -8.5 avg: -13.9



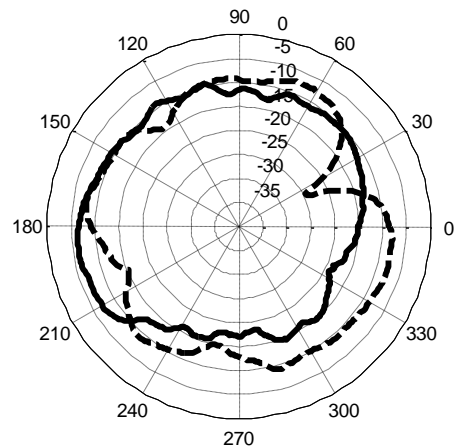
SIDE DUT



— Vertical Polarization Gain (dBi) min: -30.0 max: -5.9 avg: -10.7
 - - - Horizontal Polarization Gain (dBi) min: -30.1 max: -3.2 avg: -8.5



FLAT DUT



— Vertical Polarization Gain (dBi) min: -19.1 max: -6.2 avg: -11.1
 - - - Horizontal Polarization Gain (dBi) min: -24.6 max: -7.3 avg: -10.0