

"High Frequency Ceramic Solutions"

2450 MHz Antenna

P/N 2450AT42B100

Ground Clearance Requirements Minimized

Detail Specification: 11/20/2008

Page 1 of 3

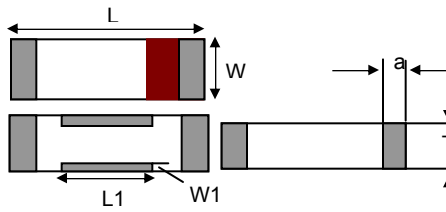
General Specifications

Part Number	2450AT42B100
Frequency Range	2400 - 2500 Mhz
Peak Gain	0 dBi typ. (XZ-V)
Average Gain	-1.5 dBi typ. (XZ-V)
Return Loss	9.5 dB min.

Input Power	3W max.
Impedance	50 Ω
Operating Temperature	-40 to +85°C
Reel Quantity	2,000

Mechanical Dimensions

	In	mm
L	0.197 ± 0.008	5.00 ± 0.20
W	0.079 ± 0.008	2.00 ± 0.20
L1	0.102 ± 0.008	2.60 ± 0.20
W1	0.020 ± 0.008	0.50 ± 0.20
T	0.079 +.004/-0.008	2.00 +0.1/-0.2
a	0.020 ± 0.012	0.50 ± 0.30



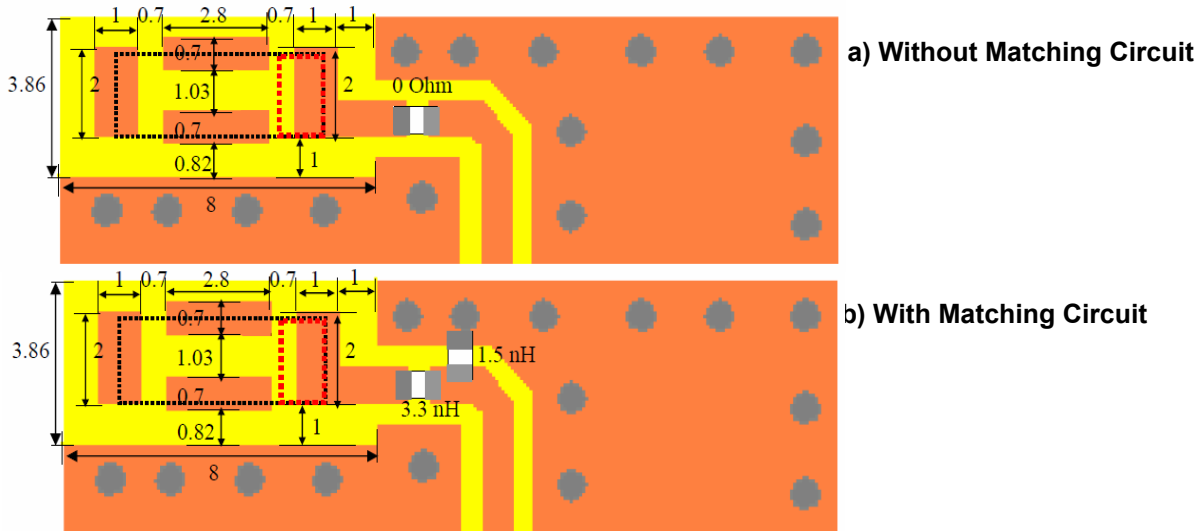
No.	Function
1	Feed Point
2	Anchoring Pin-NC
3	* Anchoring Pin-NC
4	* Anchoring Pin-NC

Mounting Considerations

Mount these devices with brown mark facing up. Units: mm

Line width should be designed to provide 50Ω impedance matching characteristics.

* Note: Pins 3 & 4, although "No Connect", must be soldered to its PCB pads for proper electrical operation



JTI P/N for Matching Circuit:
 Inductor (1.5nH): L-07C1N5SV6T
 Inductor (3.3nH): L-07C3N3SV6T

Johanson Technology, Inc. reserves the right to make design changes without notice.

All sales are subject to Johanson Technology, Inc. terms and conditions.



www.johansontechnology.com

4001 Calle Tecate • Camarillo, CA 93012 • TEL 805.389.1166 FAX 805.389.1821

2008 Johanson Technology, Inc. All Rights Reserved

"High Frequency Ceramic Solutions"

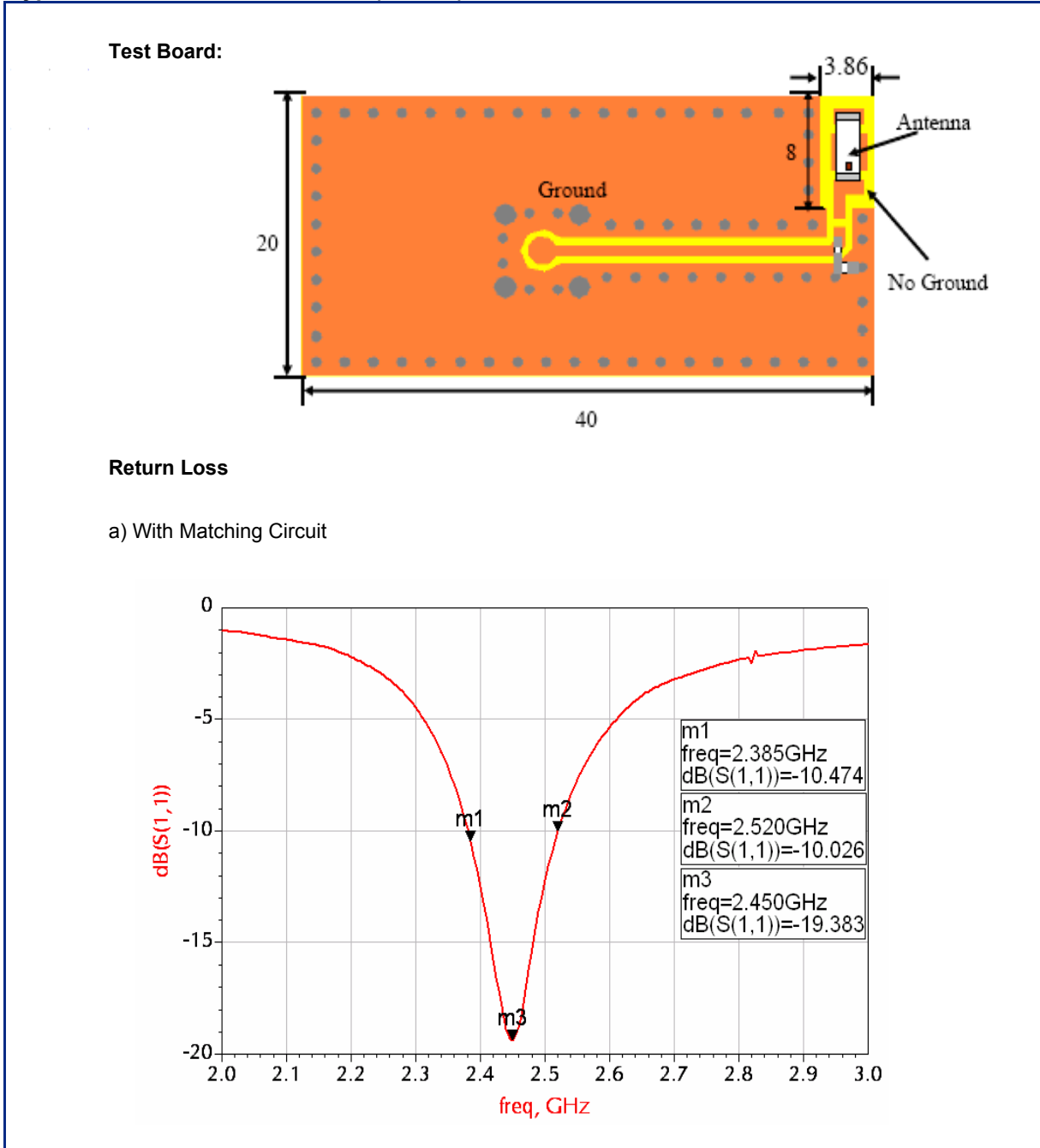
2450 MHz Antenna

P/N 2450AT42B100

Detail Specification: 11/20/08

Page 2 of 3

Typical Electrical Characteristics (T=25°C)



Johanson Technology, Inc. reserves the right to make design changes without notice.

All sales are subject to Johanson Technology, Inc. terms and conditions.

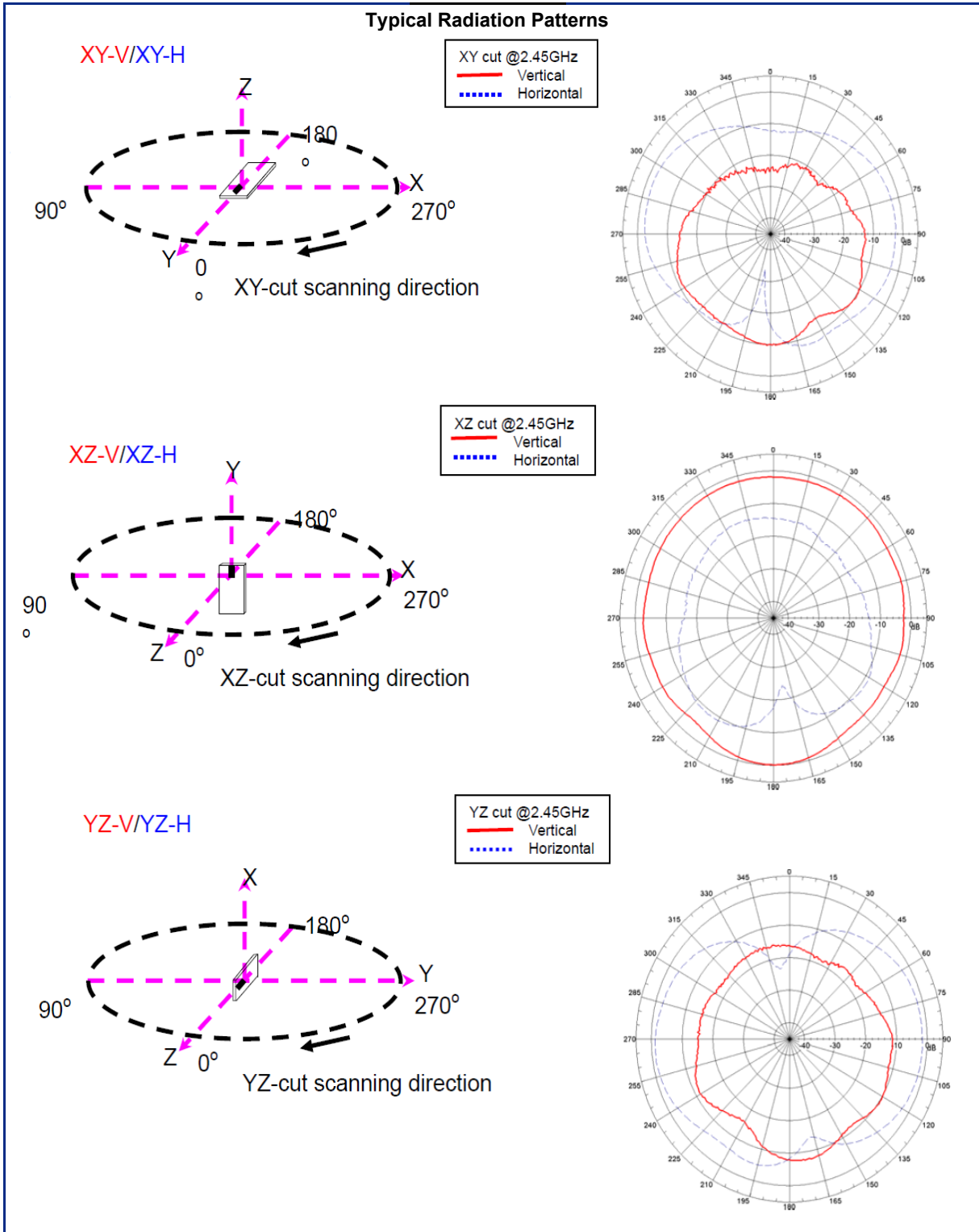
"High Frequency Ceramic Solutions"

2450 MHz Antenna

Detail Specification: 11/20/08

P/N 2450AT42B100

Page 3 of 3



Johanson Technology, Inc. reserves the right to make design changes without notice.

All sales are subject to Johanson Technology, Inc. terms and conditions.