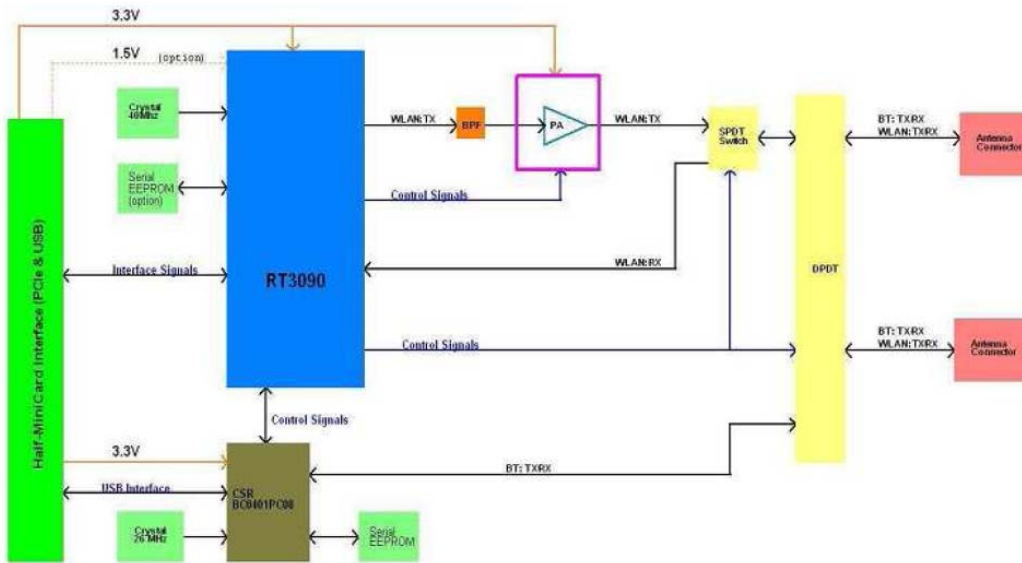


System Specification

System	
Processor	Intel® Atom N2600 Dual core 1.6GHz
BIOS	AMI System BIOS
System Chipset	Intel® NM10 Chipset
System Memory	2GB SODIMM DDR3-800
LAN Controller	Realtek RTL811B GigaLAN Controller
Storage	mSATA SSD
Audio	Audio out for headset, Micro-in for microphone jack, 1.0W Speaker x2 (Internal)
I/O Connectors	
Bottom I/O Port	Stand Connector x1, Standard USB2.0 port x1, LAN & HDMI Out combo connector x1, Mic-in/Line-Out x1
Right I/O Port	SIM card slot x1, DC-in jack x1
Upper side button	Volume up x1, Volume down x1, Hotkey(F1) x1 , Menu key x1
In Front Control	
LED indicator	From right to left shows the status about Power mode , Battery mode , Storage and WiFi status mode
Display Specification	
Size	9.7 inch
Resolution	1024x768 pixels
Touch	Projective Capacitive (4 points)

System Specification (continues)

Mechanical and Environment	
Weight	988g (w/o accessories)
Operating Temperature	0 deg.C to 50 deg.C
Operating Humidity	30% to 90% (non condensing)
IP Proof	IP54
Mounting	Optional table stand / Optional VESA Kit
Shock	Rugged mobile-shock
Vibration	Rugged mobile-vibration
Drop*	4 feets
Certifications	CE, FCC
Power Management	
Power Input	12V DC
Battery	Standard battery 5300mAh
Operating time	5 Hours
Adapter	100-240V AC in , 50-60Hz, 12VDC output
Wireless Communication	
WLAN	built-in 802.11b/g/n
Bluetooth	built-in Bluetooth
3G	Optional built-in 3G Module



Absolute Maximum Ratings

Symbol	Parameter	Max. Rating	Unit
V _{dd33}	Maximum I/O supply voltage	3.46	V
RF _{in}	Maximum RF input (reference to 50 Ω)	0	dBm
T _{store}	Storage temperature	-40~85	°C

Recommended Operating Conditions

Symbol	Parameter	Rating	Unit
V _{dd33}	I/O voltage	3.14~3.46	V

Power Consumption

V_{cc} = +3.3V

WiFi(Bluetooth function is disable.)

Mode	Current(mA)
WLAN Module No Connect AP	224.6 mA
WLAN Module Connect AP	236.7 mA
WLAN RF OFF	67.1 mA
Transmit Packet Test HT 40*	297.6 mA
Receiver Packet Test HT 40*	251.8 mA

BT(WIFI function is disable.)

Mode		Current(mA)
WLAN Module No Connect AP	MAX	75.4 mA
WLAN Module Connect AP	MAX	85.3 mA
WLAN RF OFF		61.6 mA
Transmit Packet Test HT 40*		114.9 mA
Receiver Packet Test HT 40*		102.4 mA

2.7 Country Region Code for 2.4G band (0x39)

Default value = FFh, which means read from INF and registry, more flexible than reading from EEPROM, this is our current InstallShield CCS implementation. We do not recommend customers to read SKU from EEPROM. Value FFh is the default value.

CountryCode— Specify the domain code, can be FFh or one of the followings,

Index	Support Channels
0	CH 1 ~ 11
1	CH 1 ~ 13
2	CH 10 ~ 11
3	CH 10 ~ 13
4	CH 14
5	CH 1 ~ 14
6	CH 3 ~ 9
7	CH 5 ~ 13
30	Manual Channel (Refer to 0x118~119h)
31	CH1 ~ 14 (CH1 ~ 11 active scan, CH12 ~ 14 passive scan)