



規格承認書
Approval Sheet

客戶名稱

Customer Name: NETIS

產品名稱

Product description: RF Antenna assembly

產品型號

Model Name: RG178 (R-SMA)

泓淋料號

Hong Lin P/N: _____

客戶料號

Customer P/N: _____

版別 日期
Version: X2 Date: 2012-12-27

客戶承認簽印 CUSTOMER APPROVED BY	供應商承認簽印 VENDER APPROVED BY
Checked By:	Checked By: 肖輝君
Approval By:	Approval By: 梁興源

工廠/Factory:

- 1) 深圳市寶安區松崗鎮沙浦圍村第二工業區六棟; 電話+86-755-27090678; 電子信箱:
yhh@honglintech.com
Building 6.No.2 Industrial Park, Shapuwei, Songgang Town, Baoan District, Shenzhen, Guangdong, China;
Tel:+86-755-27090678 ; E-mail:yhh@honglintech.com
- 2) 江蘇省常熟市高新技術產業園柳州路8號; 電話: +86-512-51538298; 電子信箱:
jtk@honglincable.com
No.8 Liuzhou Road, Yushan Industrial Park, Hi-tech Development Zone, Changshu, Jiangsu, China
Tel: +86-512-51538298; E-mail: jtk@honglincable.com
Building 6.No.2 Industrial Park, Shapuwei, Songgang Town, Baoan District, Shenzhen, Guangdong, China; Tel:+86-755-27090678 ; E-mail:yhh@honglintech.com

一、Specification

1.1 Electrical Properties

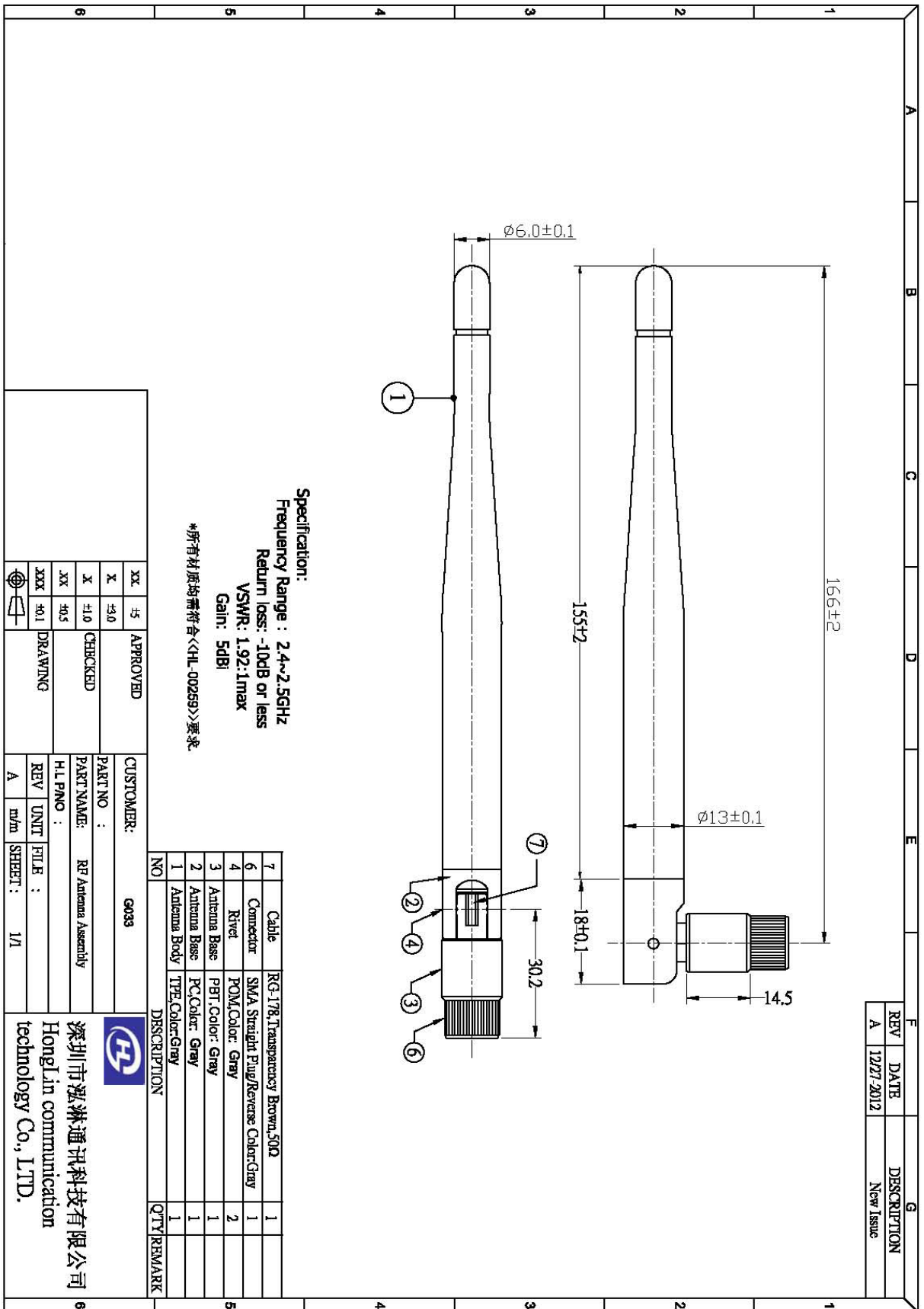
- 1.1.1 Frequency Range-----2.4~2.5GHz
- 1.1.2 Impedance-----50Ω
- 1.1.3 VSWR-----1.92: 1
- 1.1.4 Return Loss----- -10dB or Less
- 1.1.5 Radiation -----Omni-directional
- 1.1.6 Peak Gain----- 5.28dBi
- 1.1.7 Admitted Power----- 1W
- 1.1.8 Polarization -----Linear,Vertical
- 1.1.9 Cable----- RG178

1.2 Physical Properties

- 1.2.1 Antenna Body-----PC
- 1.2.2 Antenna cover----- TPE
- 1.2.3 Antenna Base-----PC
- 1.2.4 Operating Temp----- -10°C~+60°C
- 1.2.5 Storage Temp----- -10°C~+70°C
- 1.2.6 Color-----Gray



二、成品图



Specification:
Frequency Range : 2.4~2.5GHz
Return loss: -10dB or less
VSWR: 1.92:1max
Gain: 5dBi

*所有材质均需符合<<HL-00259>>要求

NO	DESCRIPTION	QTY	REMARK
7	Cable	1	
6	Connector	1	RG-178, Transparency Brown, 50Ω
4	Rivet	2	SMA Straight Plug/Reverse Color Gray
3	Antenna Base	1	POM, Color: Gray
2	Antenna Base	1	PBT, Color: Gray
1	Antenna Body	1	PC, Color: Gray

XX	5	APPROVED	CUSTOMER:	G093
X	±3.0	CHECKED	PART NO :	
XX	±1.0		PART NAME:	RF Antenna Assembly
XX	+0.5		HL P/NQ :	
XXX	+0.1	DRAWING	REV	UNIT
			A	mm
				SHEET : 1/1

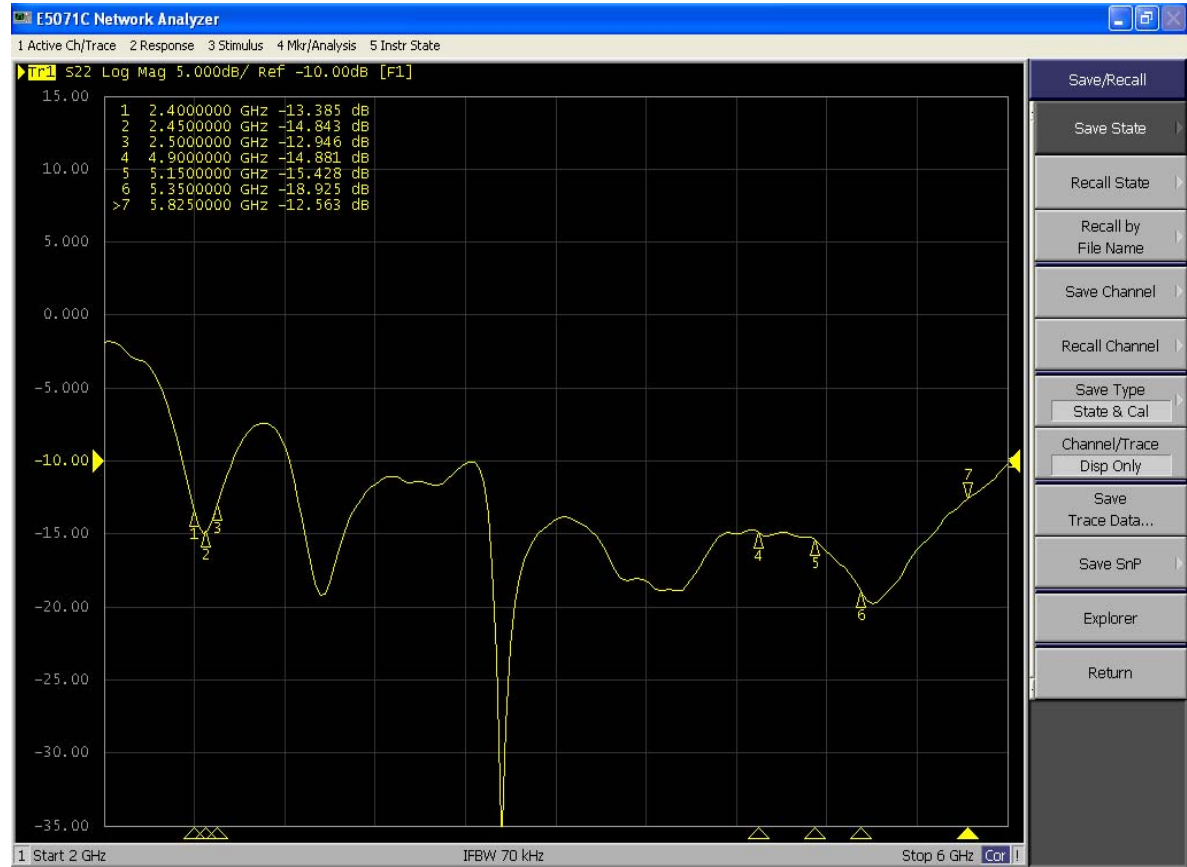
深圳市泓淋通讯科技有限公司
Honglin communication
technology Co., LTD.

REV	DATE	DESCRIPTION
A	12/27-2012	New Issue

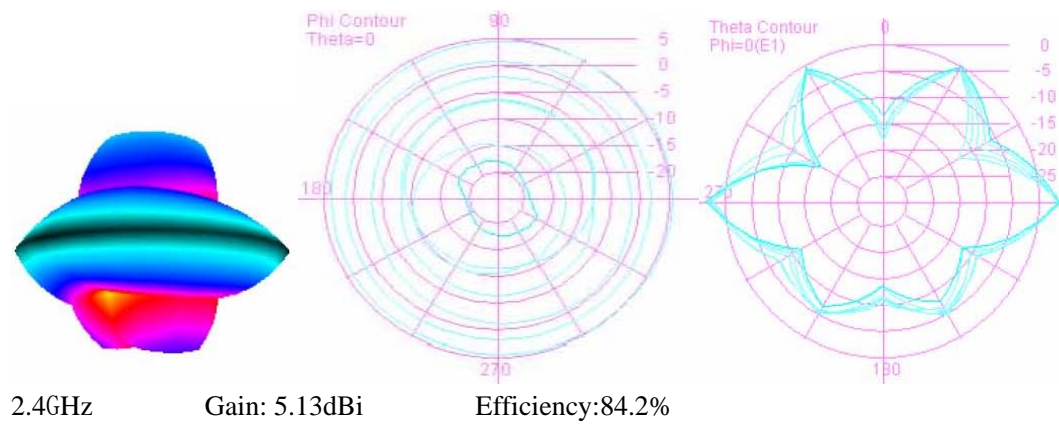


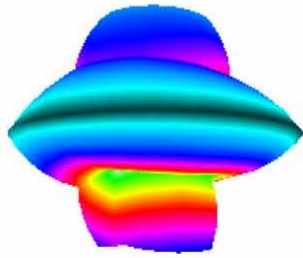
三. 测试报告

VSWR



3D、2DRaditation Pattern:

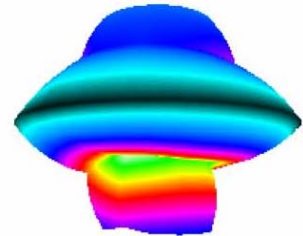
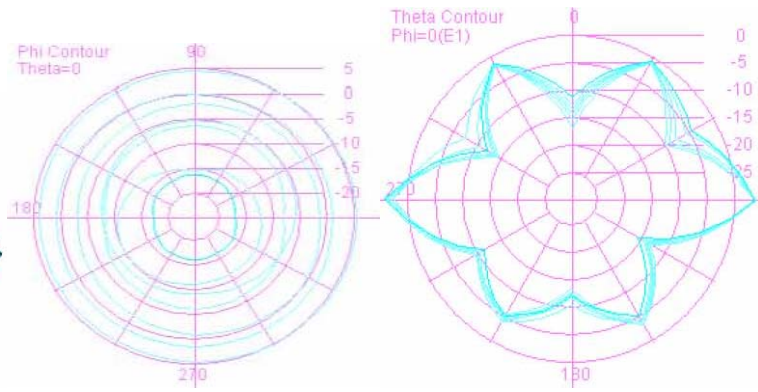




2.45GHz

Gain:5.01dBi

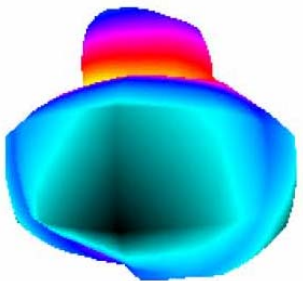
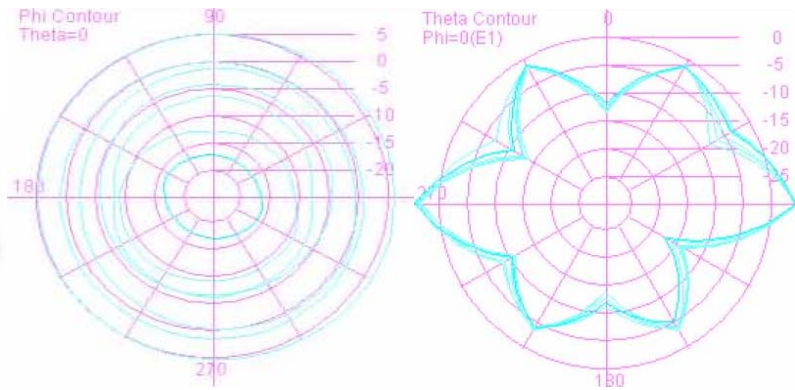
Efficiency:83.6%



2.5GHz

Gain:5.28dBi

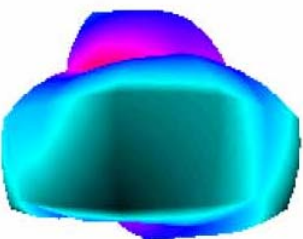
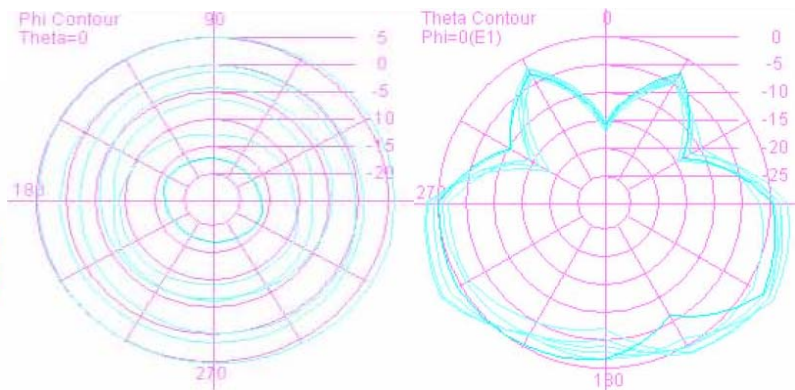
Efficiency:86.3%



4.9GHz

Gain:5.01dBi

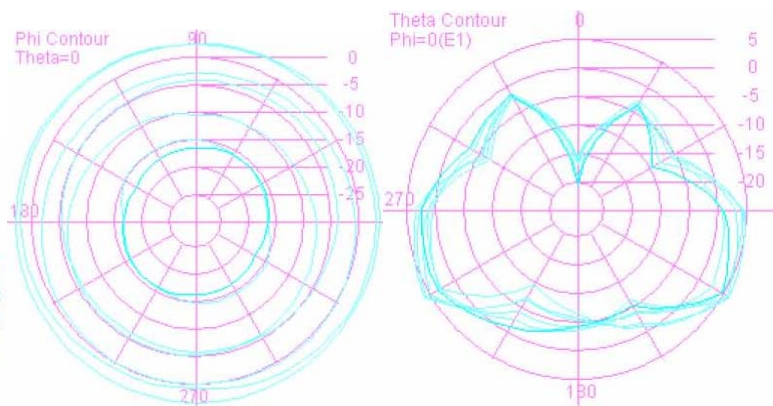
Efficiency:84.7%

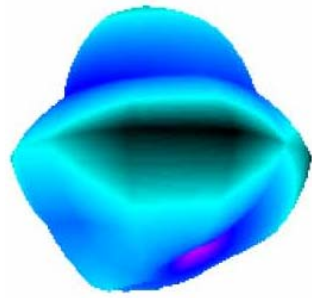


5.15GHz

Gain:4.94dBi

Efficiency:80.4%

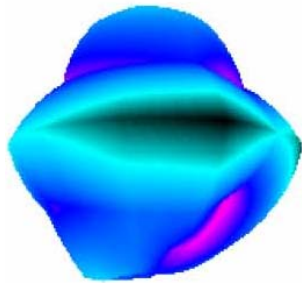
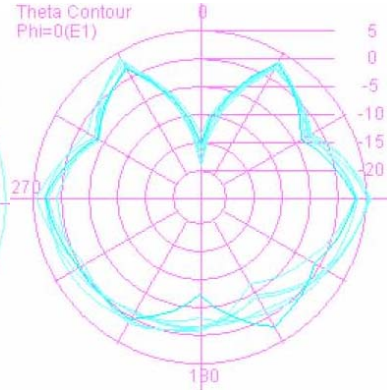
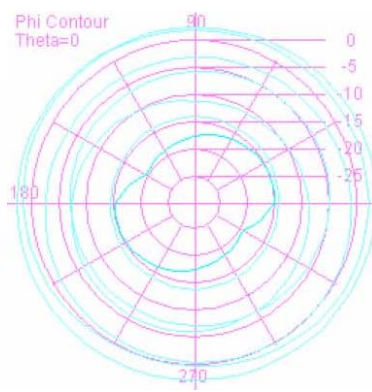




5.35GHz

Gain:4.97dBi

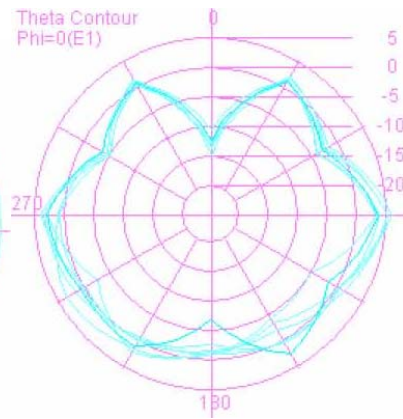
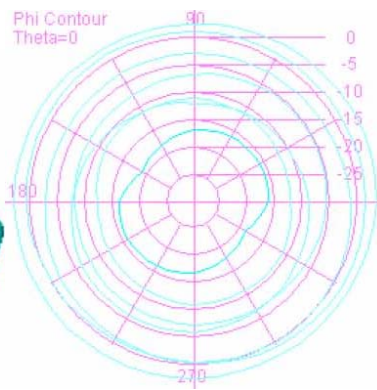
Efficiency:82.8%



5.825GHz

Gain:5.13dBi

Efficiency:85.9%





四.CABLE 规格

P/N: RF026		Rev.: A/0	
<p>1.13 Coaxial Cable (24P)</p> <p>Cross Section</p> <p>Extrusion Gray Striped (Coverage 18%~23%)</p>  <p>Extrusion Gray Striped (Coverage 18%~23%)</p> 		<p>Construction</p> <p>A</p> <p>Conductor AWG 32 Construction (mm) 740AWG Diameter(mm) 0.246</p> <p>Insulation FEP Minimum Thickness (mm) 0.20 Min. Average Thickness (mm) 0.22 Diameter(mm) 0.72±0.02</p> <p>Braid Construction (mm) 16.4/0.05 (24P) Tolerance ±0.005 Coverage(%) ≥90</p> <p>Jacket FEP Minimum Thickness (mm) 0.085 Min. Average Thickness (mm) 0.09 Diameter(mm) 1.13±0.05</p> <p>Surface Plane Visual Luminosity Light</p>	
<p>Marking</p> <p>No Marking</p>		<p>Color</p> <p>Insulation: Nature Jacket: Optional (Black, White, Gray, Blue, Red, White/Gray, Black/Gray)</p> <p>Color</p> <p>HL ERP P/N: HE412890005031001W HE412890005030001W HE412890005039001W HE412890005037001W HE412890005033001W HE412890005030901W HE412890005031901W HE422890005035001W</p>	
<p>Marking Color</p> <p>No Marking</p>		<p>Color</p> <p>HL ERP P/N: HE412890005031001W HE412890005030001W HE412890005039001W HE412890005037001W HE412890005033001W HE412890005030901W HE412890005031901W HE422890005035001W</p>	
<p>Description</p> <p>1.13 Coaxial Cable (24P)</p> <p>Rated Temperature (°C): 80 Rated Voltage (V): 30</p>		<p>Revision History</p> <p>1.0→A.0 Impedance: 50Ω(Nominal)→50 ±2Ω</p>	
<p>Application</p>		<p>Environmental Data</p> <p>Cr<5ppm, Pb<40ppm, Cr⁶⁺(ND), Hg<(ND), PBB(ND), PBDE(ND)</p>	
<p>Test Object</p> <p>Test Material Before Aging Tensile Strength (Kg/mm²) Elongation (%)</p>		<p>Mechanical Characteristics</p> <p>Insulation FEP ≥1.76 ≥200</p>	
<p>Electrical Characteristics</p> <p>Max. Conductor DC Resistance at 20°C (Ω/km) Dielectric Strength (kv/min) Insulation Resistance(min) Impedance:</p>		<p>Electrical Characteristics</p> <p>597 0.5 1000MΩ.km 50 ±2Ω</p>	
<p>Attenuation</p> <p>Frequency(GHz) 1 2 2.4 3 4 5 6</p>		<p>Attenuation</p> <p>dB/m(Max.) ≤2.0 ≤2.9 ≤3.2 ≤3.7 ≤4.3 ≤4.8 ≤5.3</p>	
<p>VSWR</p> <p>Frequency(GHz) 1~3 3~6</p>		<p>VSWR</p> <p>≤1.3 ≤1.4</p>	
<p>Approved By</p> <p>YanJun</p>		<p>Checking By</p> <p>ZhuShuQiang</p>	
<p>Design By</p> <p>ZhangYu</p>		<p>Design By</p> <p>ZhangYu</p>	



常熱泓淋電纜有限公司
CHANGSHU HONGLIN WIRE & CABLE CO.,LTD
Address: No.8 LiuZhou Road, YuShan Industrial Park, High & New Technique
Development Area, ChangShu City, JiangSu Province, China
Tel: 86-512-51538280 Fax: 86-512-51538297
E-mail: admin@honglineable.com Http://www.honglineable.com





五.SGS 报告

(注：SGS 测试报告以电子档形式传给贵司)