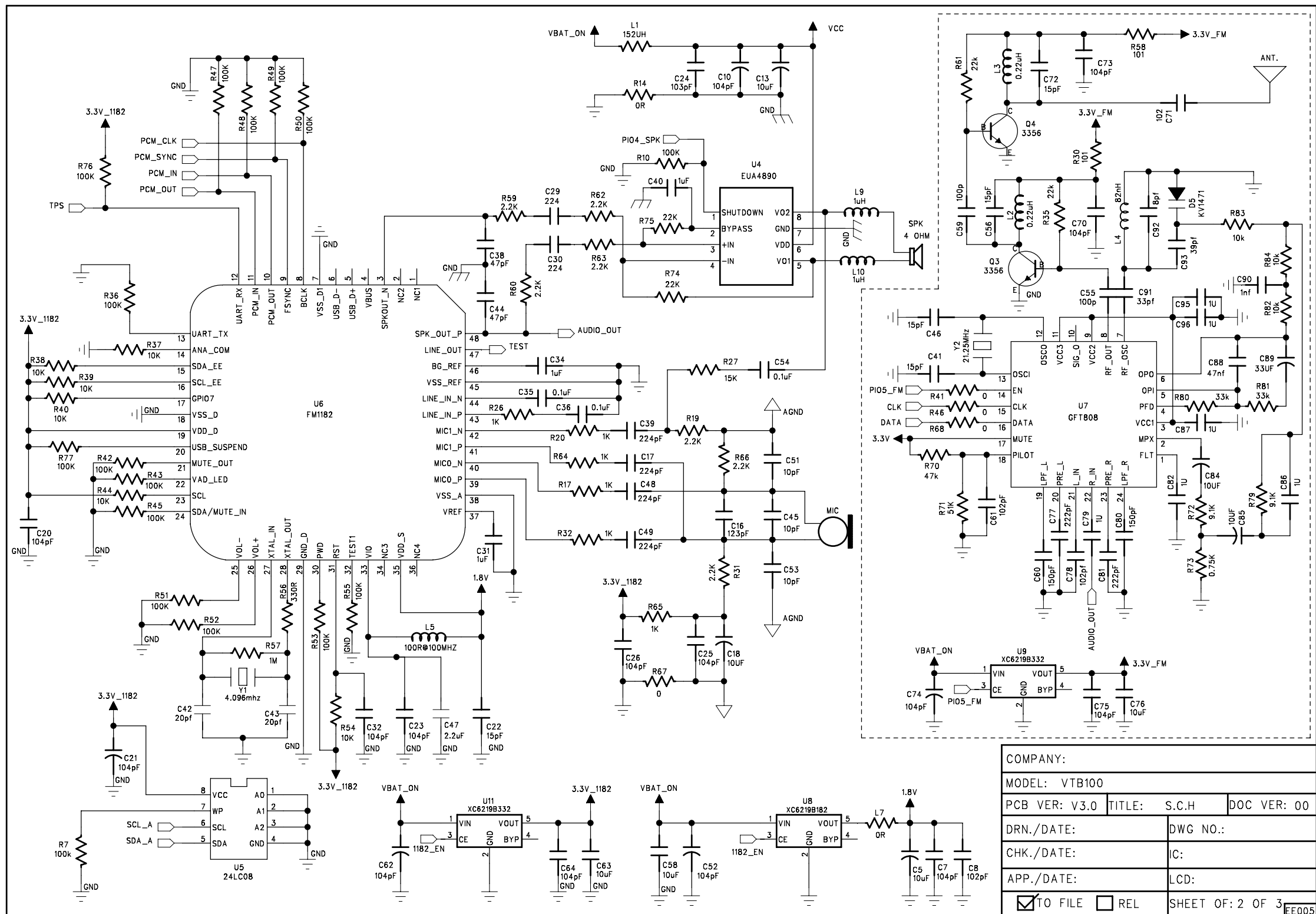
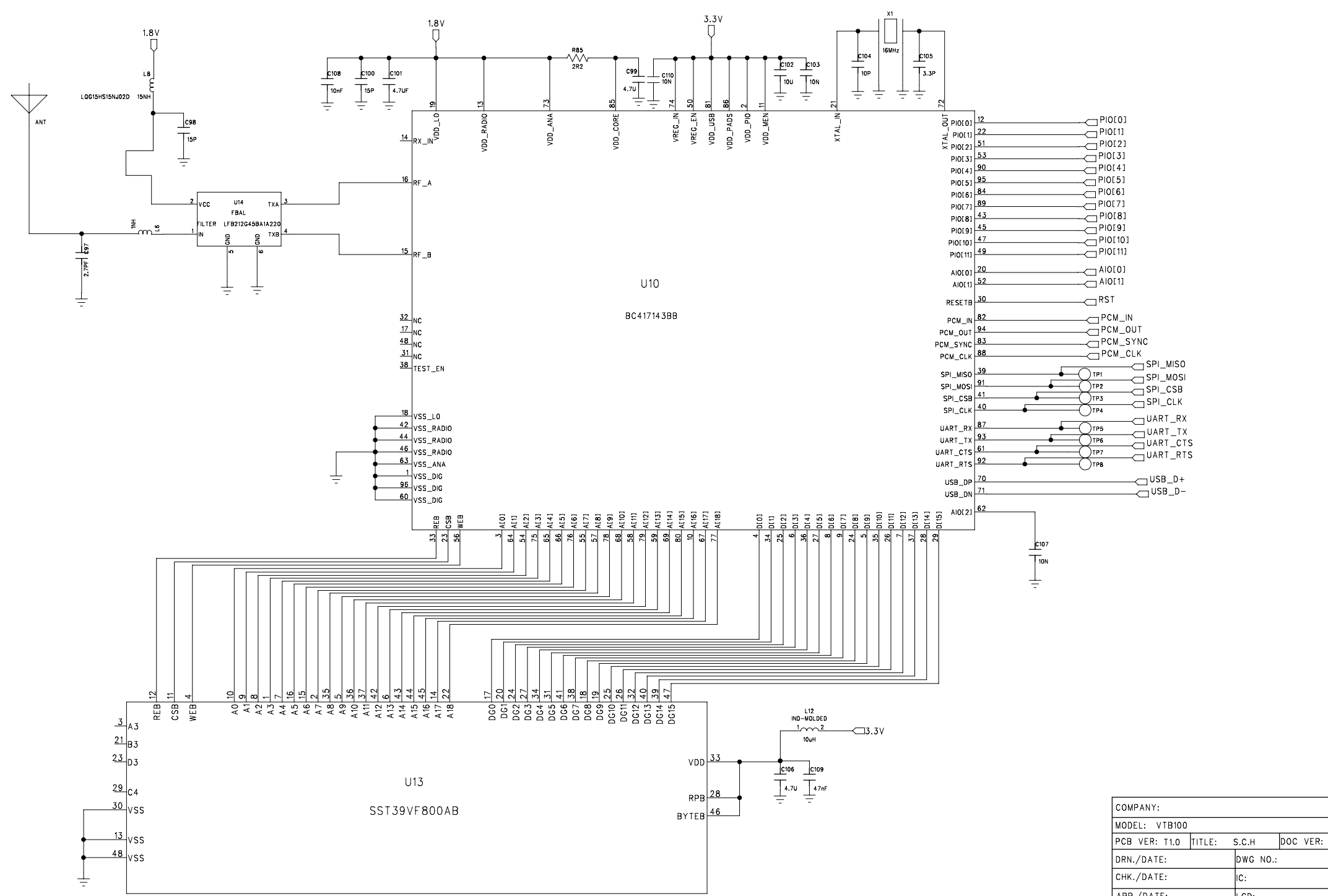


COMPANY:		
MODEL: VTB100		
PCB VER: T1.0	TITLE: S.C.H	DOC VER: 00
DRN./DATE:	DWG NO.:	
CHK./DATE:	IC:	
APP./DATE:	LCD:	
<input checked="" type="checkbox"/> TO FILE	<input type="checkbox"/> REL	SHEET OF: 1 OF 3



COMPANY:			
MODEL: VTB100			
PCB VER: V3.0	TITLE: S.C.H	DOC VER: 00	
DRN./DATE:	DWG NO.:		
CHK./DATE:	IC:		
APP./DATE:	LCD:		
<input checked="" type="checkbox"/> TO FILE	<input type="checkbox"/> REL	SHEET OF: 2 OF 3	



COMPANY:			
MODEL: VTB100			
PCB VER: T1.0	TITLE: S.C.H	DOC VER: 00	
DRN./DATE:	DWG NO.:		
CHK./DATE:	IC:		
APP./DATE:	LCD:		
<input checked="" type="checkbox"/> TO FILE	<input type="checkbox"/> REL	SHEET OF: 3 OF 3	