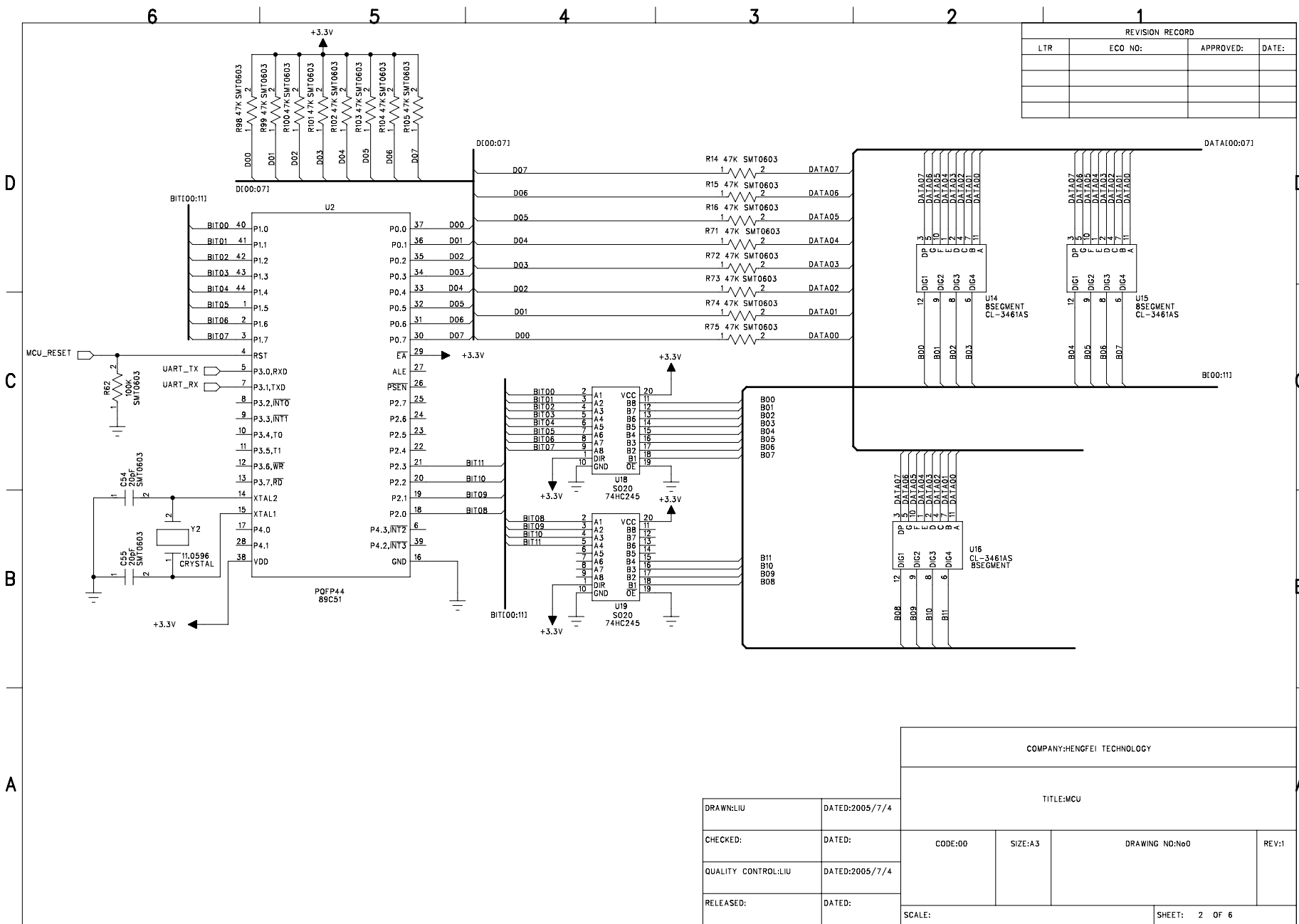
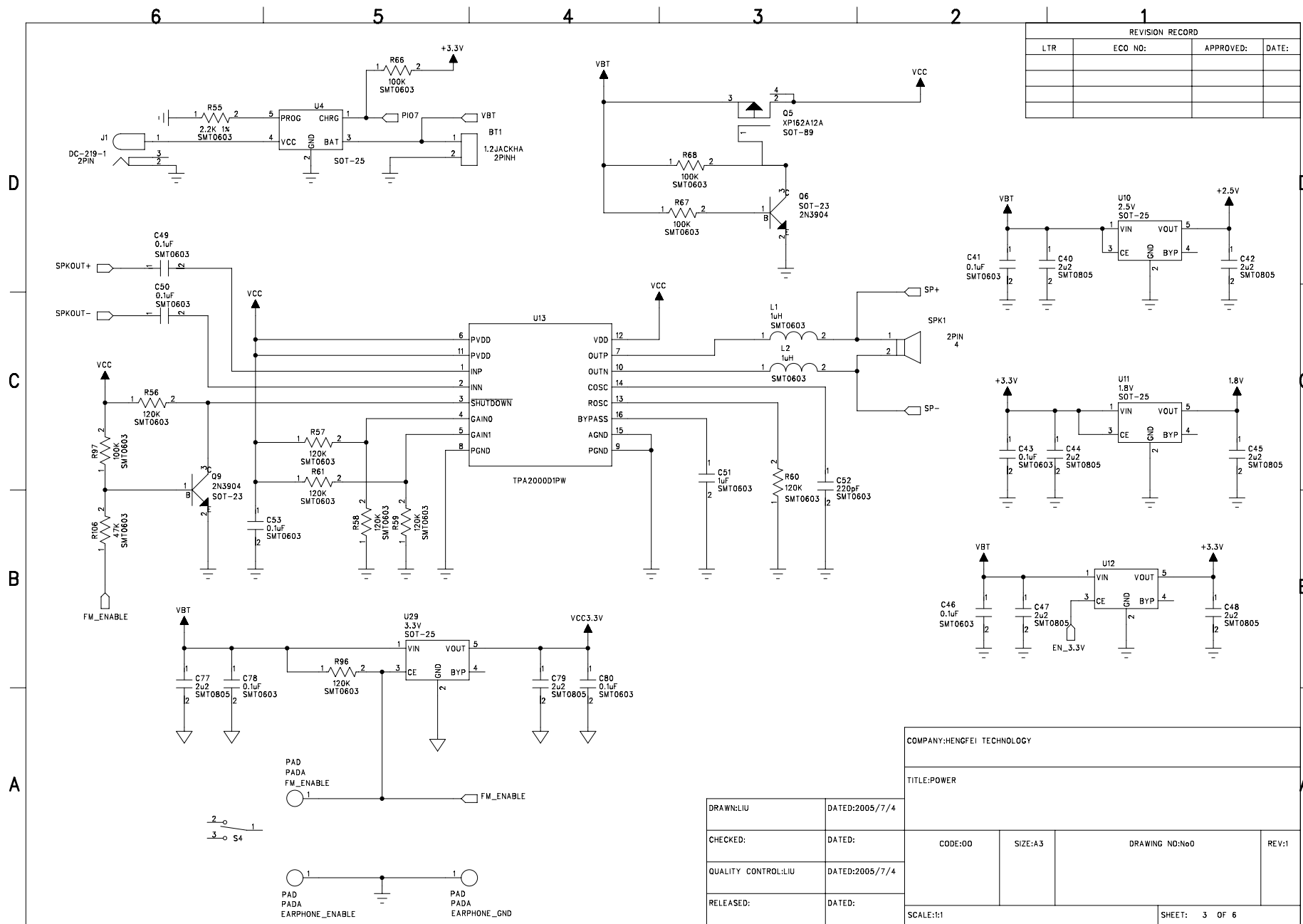


APPLICANT: SHENZHEN VITEBO SCIENCE TECHNOLOGY DEVELOP CO., LTD.

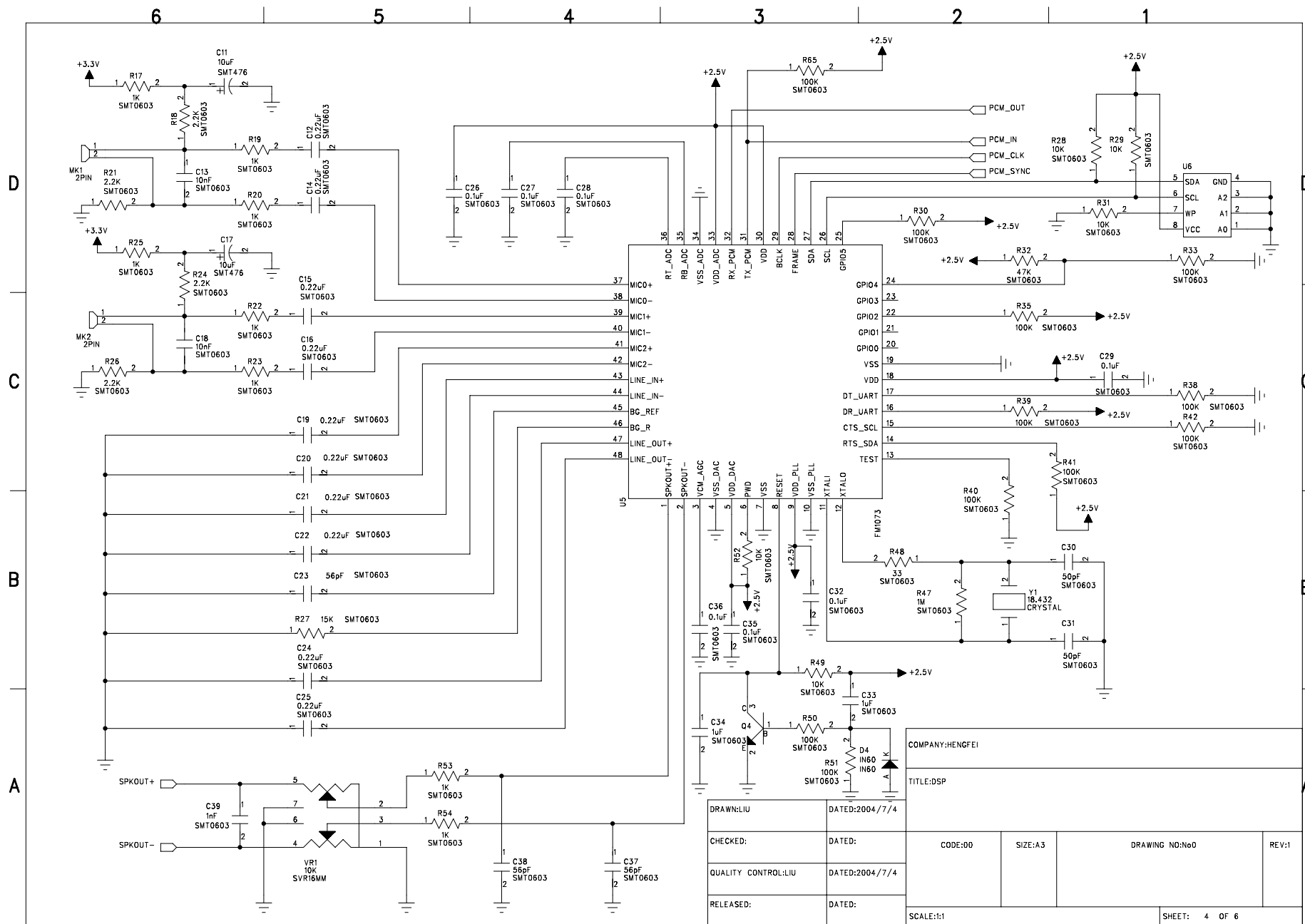
FCC ID: T56VITEBO01



COMPANY:HENGFEI TECHNOLOGY			
TITLE:MCU			
DRAWN:LIU	DATED:2005/7/4	CODE:00	SIZE:A3
CHECKED:	DATED:	DRAWING NO:No0	REV:1
QUALITY CONTROL:LIU	DATED:2005/7/4		
RELEASED:	DATED:		
SCALE:			SHEET: 2 OF 6

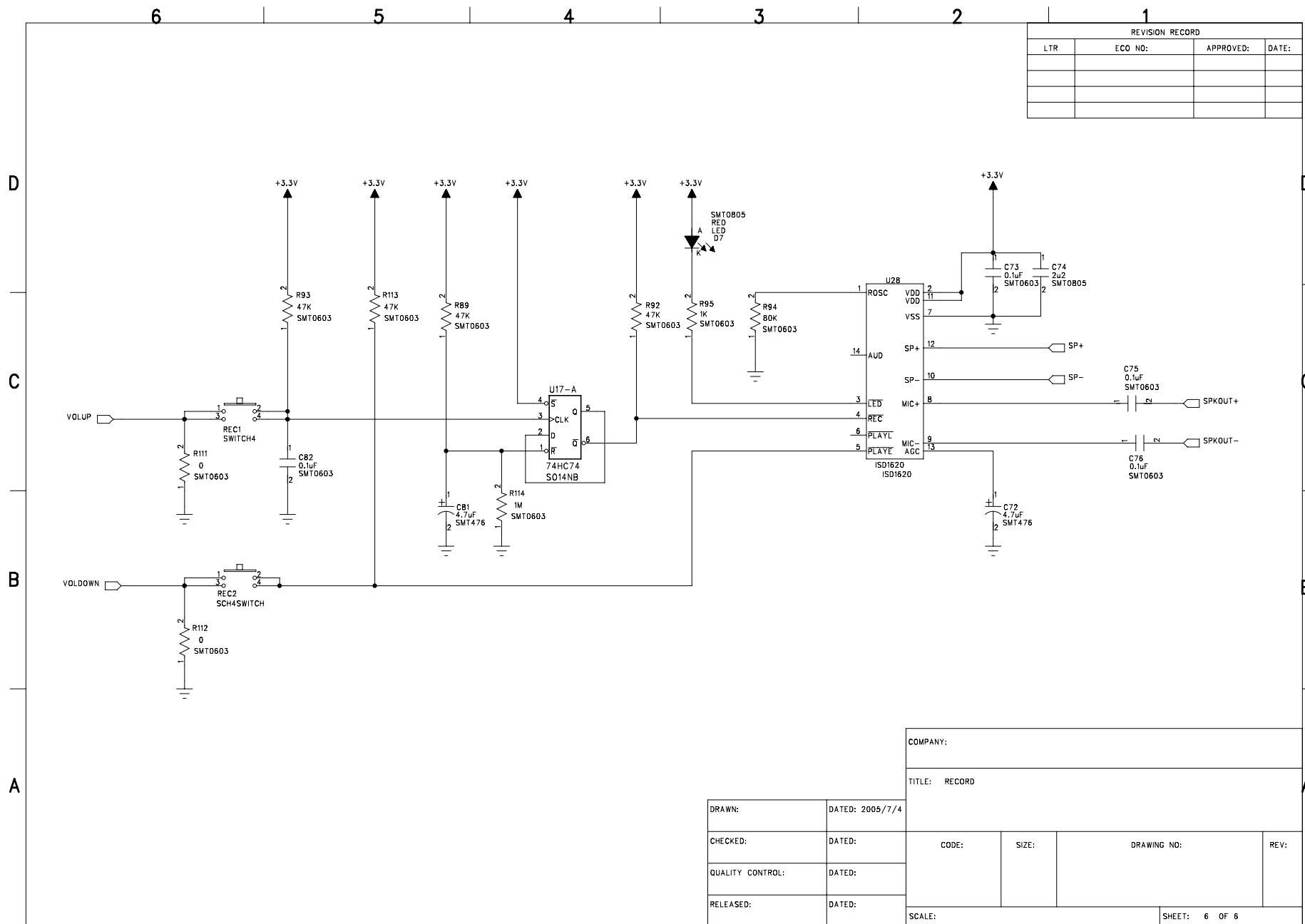


COMPANY:HENGFEI TECHNOLOGY			
TITLE:POWER			
DRAWN:LIU	DATED:2005/7/4	CODE:00	SIZE:A3
CHECKED:	DATED:	DRAWING NO:No0	REV:1
QUALITY CONTROL:LIU	DATED:2005/7/4		
RELEASED:	DATED:		
SCALE:1:1			SHEET: 3 OF 6



APPLICANT: SHENZHEN VITEBO SCIENCE TECHNOLOGY DEVELOP CO., LTD.

FCC ID: T56VITEBO01



COMPANY:					
TITLE: RECORD					
DRAWN:	DATED: 2005/7/4	CODE:	SIZE:	DRAWING NO:	REV:
CHECKED:	DATED:				
QUALITY CONTROL:	DATED:	SCALE:		SHEET: 6 OF 6	
RELEASED:	DATED:				

APPLICANT: SHENZHEN VITEBO SCIENCE TECHNOLOGY DEVELOP CO., LTD.

FCC ID: T56VITEBO01