
FCC Part 90 Test Report

Report No.: AGC02X110202-2F1

TEST NAME : FCC Part 90
FCC ID : T4KAMF-5189
PRODUCT DESIGNATION : Vehicle Radio
BRAND NAME : AntoMako , Anytone
TEST MODEL NAME : AMF-5189, 5189, 589
CLIENT : Qixiang Electron Science & Technology Co., Ltd.
DATE OF ISSUE : Apr.14, 2011
STANDARD(S) : FCC Part 90 Rules

Attestation of **Global Compliance Co., Ltd.**

CAUTION: This report shall not be reproduced except in full without the written permission of the test laboratory and shall not be quoted out of context.

VERIFICATION OF COMPLIANCE

Applicant:	Qixiang Electron Science & Technology Co., Ltd. Qixiang Building, Tangxi Industrial Zone, Luojiang District, Quanzhou 362011, Fujian Province, China
Manufacturer:	Qixiang Electron Science & Technology Co., Ltd. Qixiang Building, Tangxi Industrial Zone, Luojiang District, Quanzhou 362011, Fujian Province, China
Product Description:	Vehicle Radio
Brand Name:	AntoMako , Anytone
Model Name	AMF-5189, 5189, 589
Mode Difference	All the same, only the model name is difference
FCC ID:	T4KAMF-5189
File Number:	AGC02X110202-2F1
Date of Test:	Mar.05, 2008 to Mar.20, 2011

We hereby certify that:

The above equipment was tested by **Shenzhen Attestation of Global Compliance Science & Technology Co., Ltd.** The data evaluation, test procedures, and equipment configurations shown in this report were made in accordance with the procedures given in ANSI C 63.4:2003 and TIA/EIA 603. :2004 The sample tested as described in this report is in compliance with the FCC Rules Part 90.

The test results of this report relate only to the tested sample identified in this report.

Checked By:

Jekey Zhang

 Jekey zhang Mar.25, 2011

Authorized By:

Randy He

 Randy He Mar.25, 2011

TABLE OF CONTENTS

1. GENERAL INFORMATION 4

1.1 PRODUCT DESCRIPTION..... 4

1.2 RELATED SUBMITTAL(S) / GRANT (S)..... 5

1.3 TEST METHODOLOGY 5

1.4 TEST FACILITY..... 5

1.5 SPECIAL ACCESSORIES 5

1.6 EQUIPMENT MODIFICATIONS..... 5

2. SYSTEM TEST CONFIGURATION 6

2.1 EUT CONFIGURATION..... 6

2.2 EUT EXERCISE 6

2.3 GENERAL TECHNICAL REQUIREMENTS..... 6

2.4 CONFIGURATION OF TESTED SYSTEM 6

3. SUMMARY OF TEST RESULTS..... 7

4. DESCRIPTION OF TEST MODES..... 8

5. CONDUCTED LIMITS (NOT APPLICABLE)..... 9

5.1 PROVISIONS APPLICABLE 9

5.2 MEASUREMENT PROCEDURE..... 9

5.3 TEST SETUP BLOCK DIAGRAM 10

5.4 TEST EQUIPMENT USED 10

5.5 TEST RESULT..... 11

6. FREQUENCY TOLERANCE 12

6.1 PROVISIONS APPLICABLE 12

6.2 MEASUREMENT PROCEDURE..... 12

6.3 TEST SETUP BLOCK DIAGRAM..... 13

6.4 TEST EQUIPMENT USED: 13

6.5 TEST RESULT..... 13

7. EMISSION BANDWIDTH 18

7.1 PROVISIONS APPLICABLE 18

7.2 MEASUREMENT PROCEDURE..... 18

7.3 TEST SETUP BLOCK DIAGRAM 18

7.4 MEASUREMENT EQUIPMENT USED: 18

7.5 MEASUREMENT RESULT: 19

8. UNWANTED RADIATION 20

8.1 PROVISIONS APPLICABLE 20

8.2 MEASUREMENT PROCEDURE..... 20

8.3 TEST SETUP BLOCK DIAGRAM	21
8.4 MEASUREMENT EQUIPMENT USED:	23
8.5 MEASUREMENT RESULTS:	23
8.6 EMISSION MASK PLOT	24
9. MODULATION CHARACTERISTICS	25
9.1 PROVISIONS APPLICABLE	25
9.2 MEASUREMENT METHOD	25
9.3 MEASUREMENT INSTRUMENTS.....	25
9.4 MEASUREMENT RESULT	26
10. MAXIMUM TRANSMITTER POWER (CONDUCTED OUTPUT POWER)	30
10.1 PROVISIONS APPLICABLE	30
10.2 TEST PROCEDURE	30
10.3 TEST INSTRUMENTS	30
10.4 TEST RESULT.....	30
10.5 CONDUCT SPURIOUS PLOT	31
11. TRANSMITTER FREQUENCY BEHAVIOR	33
11.1 PROVISIONS APPLICABLE	33
11.2 TEST METHOD.....	33
11.3 TEST INSTRUMENTS	33
11.4 MEASURE RESULT	33
12. RADIATED EMISSION ON RECEIVING MODE	34
12.1 PROVISIONS APPLICABLE	35
12.2 TEST METHOD.....	35
12.3 TEST INSTRUMENTS	35
12.4 MEASURE RESULT (MEASURED AT 3M USING FCC PART15 B LIMITS).....	35
APPENDIX I PHOTOGRAPHS OF SETUP	37
APPENDIX II PHOTOGRAPHS OF SAMPLES.....	39

1. GENERAL INFORMATION

1.1 Product Description

The EUT is a single channel Two-way Radio designed for voice communication. It is designed by way of utilizing the FM modulation achieves the system operating.

A major technical description of EUT is described as following:

Communication Type	Voice / Tone only
Modulation	FM
Emission Type	11K0F3E
Emission Bandwidth	10.59 KHz (Limit:11.25 KHz for 12.5 KHz channel separation)
Peak Frequency Deviation	2.09 KHz for 12.5 KHz Channel Separation (Limit \leq ±2.5 KHz)
Audio Frequency Response	2.80 KHz (Limit $<$ 3.125 KHz)
Maximum Transmitter Power	44.46W for 12.5 KHz Channel Separation
	21.42W for 12.5 KHz Channel Separation
	5.10W for 12.5 KHz Channel Separation
Output power Modification	Fixed can't be changed
Antenna Designation	Detachable
Power Supply	DC 13.8V
Operation Frequency Range and Channel	Frequency Range: 135 MHz to 174 MHz Channel Separation: 12.5 KHz
	Top Channel: 135.0250 MHz
	Centre Channel: 155.0250 MHz
	Bottom Channel: 173.9875 MHz
FCC ID	T4KAMF-5189

1.2 Related Submittal(s) / Grant (s)

This submittal(s) (test report) is intended for **FCC ID: T4KAMF-5189** filing to comply with the FCC Part 90 requirements

1.3 Test Methodology

The radiated emission testing was performed according to the procedures of ANSI C63.4 : 2003;TIA/EIA 603:2004 and FCC CFR 47 Rules of 2.1046, 2.1047, 2.1049, 2.1051, 2.1053, 2.1055, 2.1057.

1.4 Test Facility

The test site (WorldStandardizationCertification&TestingCo., Ltd.) used to collect the radiated data is located on the address of 1-2/F, Dachong Keji Building, No.28 of Tonggu Road, Nanshan District, Shenzhen, 518057, China

The registration number is 989301. The test site is constructed and calibrated to meet the FCC requirements in documents ANSI C63.4: 2003.

1.5 Special Accessories

Not available for this EUT intended for grant.

1.6 Equipment Modifications

Not available for this EUT intended for grant.

2. SYSTEM TEST CONFIGURATION

2.1 EUT Configuration

The EUT configuration for testing is installed on RF field strength measurement to meet the Commission’s requirement and operating in a manner which intends to maximize its emission characteristics in a continuous normal application.

2.2 EUT Exercise

The Transmitter was operated in the normal operating mode. the TX frequency was fixed which was for the purpose of the measurements.

2.3 General technical requirements

- (1). Section 15.207: Conducted Limits (Not applicable)
- (2). Section 90.205: Maximum ERP is dependent upon the station’s antenna HAAT and required service area
- (3). Section 90.207: Modulation Characteristic
- (4). Section 90.209: Occupied Bandwidth
- (5). Section 90.210: Emission Mask
- (6). Section 90.213: Frequency Tolerance
- (7). Section 90.214: Transient Frequency Behavior

2.4 Configuration of Tested System

Fig. 2-1 Configuration of Tested System



Table 2-1 Equipment Used in Tested System

Item	Equipment	Model No.	Identifier	Series No.	Note
1	Vehicle Radio	AMF-5189	FCC ID: T4KAMF-5189	N/A	EUT
--	--	--	--	--	--
--	--	--	--	--	--

3. SUMMARY OF TEST RESULTS

FCC Rules	Description Of Test	Result
§15.207	Conducted Emission	N/A
§90.205	Maximum Transmitter Power	Compliant
§90.207	Modulation Characteristic	Compliant
§90.209	Occupied Bandwidth	Compliant
§90.210	Emission Mask	Compliant
§90.213	Frequency Tolerance	Compliant
§90.214	Transient Frequency Behavior	Compliant

4. DESCRIPTION OF TEST MODES

The EUT (Vehicle Radio) has been tested under normal operating condition. Three channels (The top channel, the middle channel and the bottom channel) are chosen for testing at each channel separation (12.5 KHz).

5. CONDUCTED LIMITS (Not Applicable)

5.1 PROVISIONS APPLICABLE

a). For an intentional radiator that is designed to be connected to the public utility(AC) power line, the, the radio frequency voltage that is conducted back onto the AC power line on any frequencies within the band 150 KHz to 30 MHz shall not exceed the limits in the following table, as measured using a 50uH/50 ohms line impedance stabilization network (LISN). Compliance with the provisions of this paragraph shall be based on the measurement of the radio frequency voltage between each power line and ground at the power terminal. The lower limit applies at the boundary between the frequencies ranges.

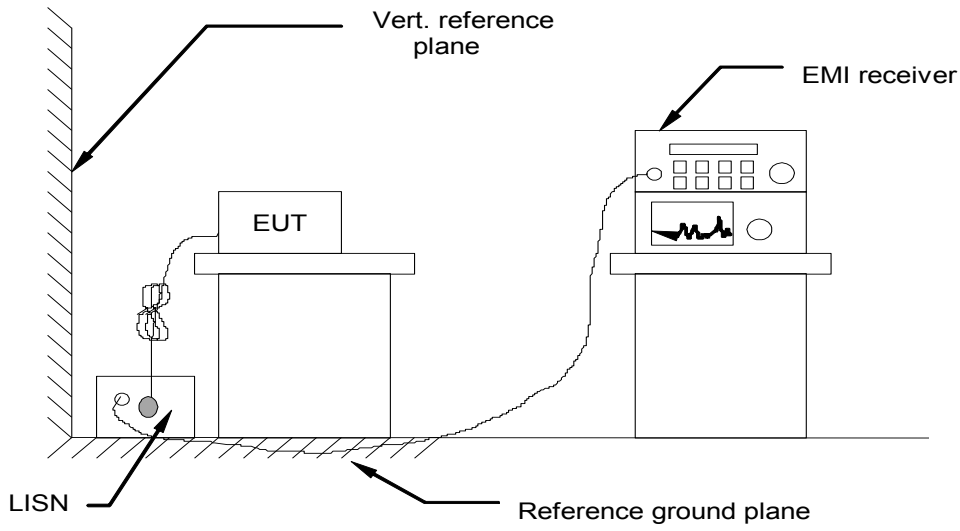
Frequency of Emission (MHz)	Conducted Limit(dBuV)	
	Quasi-Peak	Average
0.15 – 0.5	66 to 56 *	56 to 46 *
0.5 – 5	56	46
5 – 30	60	50

* Decreases with the logarithm of the frequency.

5.2 MEASUREMENT PROCEDURE

- (1) The equipment was set up as per the test configuration to simulate typical actual usage per the user's manual. When the EUT is a tabletop system, a wooden table with a height of 0.8 meters is used and is placed on the ground plane as per ANSI C63.4 (see Test Facility for the dimensions of the ground plane used). When the EUT is a floor-standing equipment, it is placed on the ground plane which has a 3-12 mm non-conductive covering to insulate the EUT from the ground plane.
- (2) Support equipment, if needed, was placed as per ANSI C63.4.
- (3) All I/O cables were positioned to simulate typical actual usage as per ANSI C63.4.
- (4) The EUT received AC120V/60Hz power through a Line Impedance Stabilization Network (LISN) which supplied power source and was grounded to the ground plane.
- (5) All support equipments received AC power from a second LISN, if any.
- (6) The EUT test program was started. Emissions were measured on each current carrying line of the EUT using a spectrum Analyzer / Receiver connected to the LISN powering the EUT. The LISN has two monitoring points: Line 1 (Hot Side) and Line 2 (Neutral Side). Two scans were taken: one with Line 1 connected to Analyzer / Receiver and Line 2 connected to a 50 ohm load; the second scan had Line 1 connected to a 50 ohm load and Line 2 connected to the Analyzer / Receiver.
- (7) Analyzer / Receiver scanned from 150kHz to 30MHz for emissions in each of the test modes.
During the above scans, the emissions were maximized by cable manipulation.

5.3 TEST SETUP BLOCK DIAGRAM



5.4 Test equipment used

Conducted Emission Test Site				
Name of Equipment	Manufacturer	Model	Serial Number	Calibration Due
--	--	--	--	--
--	--	--	--	--
--	--	--	--	--
--	--	--	--	--

5.5 TEST RESULT

LINE CONDUCTED EMISSION TEST

FREQ MHz	PEAK RAW dBuV	Q.P. RAW dBuV	AVG RAW dBuV	Q.P. Limit dBuV	AVG Limit dBuV	Q.P. Margin dB	AVG Margin dB	NOTE
---	---	---	---	---	---	---	---	---
---	---	---	---	---	---	---	---	---
---	---	---	---	---	---	---	---	---
---	---	---	---	---	---	---	---	---
---	---	---	---	---	---	---	---	---
---	---	---	---	---	---	---	---	---
---	---	---	---	---	---	---	---	---
---	---	---	---	---	---	---	---	---
---	---	---	---	---	---	---	---	---
---	---	---	---	---	---	---	---	---
---	---	---	---	---	---	---	---	---
---	---	---	---	---	---	---	---	---
---	---	---	---	---	---	---	---	---
---	---	---	---	---	---	---	---	---
---	---	---	---	---	---	---	---	---
---	---	---	---	---	---	---	---	---
---	---	---	---	---	---	---	---	---
---	---	---	---	---	---	---	---	---
---	---	---	---	---	---	---	---	---
---	---	---	---	---	---	---	---	---
---	---	---	---	---	---	---	---	---
---	---	---	---	---	---	---	---	---
---	---	---	---	---	---	---	---	---

**NOTE:

“---” denotes the peak emission level was or more than 2dB below the Average limit, so no re-check anymore.

L1 = Line One (Hot side) / L2 = Line Two (Neutral side)

6. FREQUENCY TOLERANCE

6.1 Provisions Applicable

- a). According to FCC Part 2 Section 2.1055(a)(1), the frequency stability shall be measured with variation of ambient temperature from -30° to $+60^{\circ}$ centigrade.
- b). According to FCC Part 2 Section 2.1055(d)(2), for battery powered equipment, the frequency stability shall be measured with reducing primary supply voltage to the battery operating end point, which is specified by the manufacture.
- c). According to FCC Part 90 Section 90.213, the frequency tolerance must be maintained within 0.00025% for 12.5KHz channel separation and 0.0005% for 25KHz channel separation.

6.2 Measurement Procedure

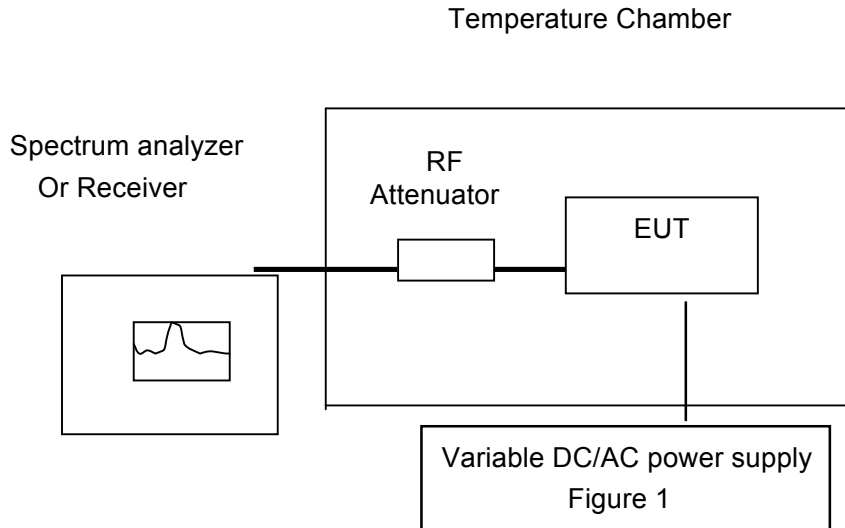
6.2.1 Frequency stability versus environmental temperature

1. Setup the configuration per figure 1 for frequencies measurement inside an environment chamber, Install new battery in the EUT.
2. Turn on EUT and set SA center frequency to the EUT radiated frequency. Set SA Resolution Bandwidth to 1KHz and Video Resolution Bandwidth to 1KHz and Frequency Span to 50KHz. Record this frequency as reference frequency.
3. Set the temperature of chamber to 60° . Allow sufficient time (approximately 30 min) for the temperature of the chamber to stabilize. While maintaining a constant temperature inside the chamber, turn the EUT on and measure the EUT operating frequency.
4. Repeat step 2 with a 10° decreased per stage until the lowest temperature -30° is measured, record all measured frequencies on each temperature step.

6.2.2 Frequency stability versus input voltage

1. Setup the configuration per figure 1 for frequencies measured at temperature if it is within 15° to 25° . Otherwise, an environment chamber set for a temperature of 20° shall be used. The EUT shall be powered by DC 13.8V
2. Set SA center frequency to the EUT radiated frequency. Set SA Resolution Bandwidth to 1KHz and Video Resolution Bandwidth to 1KHz. Record this frequency as reference frequency.
3. Supply the EUT primary voltage at the operating end point which is specified by manufacturer and record the frequency.

6.3 Test Setup Block Diagram



6.4 Test equipment used:

Name of Equipment	Manufacturer	Model	Serial Number	Cal. Date
Spectrum Analyzer	Agilent	E4440A	US41421290	2007-04-16
Climate Chamber	ESPEC	EL-10KA	05107008	2007-04-16

6.5 Test result

- (1) Frequency stability versus input voltage
(50W – DC 13.8V/5.6A, 25W-DC 13.8V/3.6A, 5W-DC 13.8V/2.1A)

Measurement Result for Channel Separation of 12.5KHz

Channel	Reference Frequency (MHz)	Normal Condition	Frequency Deviation ppm	Limit ppm
Top	173.9875	173.9875010	0.01	2.5
Middle	155.0250	155.0250121	0.08	2.5
Bottom	135.0250	135.0249868	-0.10	2.5

(2) Frequency stability versus ambient temperature
(Max Power DC 11.73V and DC 15.87V)

Bottom Channel @ 12.50 KHz Channel Separations

Reference Frequency: 135.0250 MHz		Limit: 2.5 ppm	
Environment Temperature (°C)	Power Supply (V)	Frequency deviation measured with time Elapse (10 minutes)	
		(MHz)	ppm
60	11.73 V	135.024771	-1.70
50	11.73 V	135.024839	-1.19
40	11.73 V	135.024898	-0.76
30	11.73 V	135.024961	-0.29
20	11.73 V	135.025015	0.11
10	11.73 V	135.025081	0.60
0	11.73 V	135.025152	1.13
-10	11.73 V	135.025202	1.50
-20	11.73 V	135.025238	1.76
-30	11.73 V	135.025279	2.07

Middle Channel @ 12.5 KHz Channel Separations

Reference Frequency: 155.0250 MHz		Limit: 2.50 ppm	
Environment Temperature (°C)	Power Supply (V)	Frequency deviation measured with time Elapse (10 minutes)	
		(MHz)	ppm
60	11.73 V	155.024719	-1.81
50	11.73 V	155.024774	-1.46
40	11.73 V	155.024813	-1.21
30	11.73 V	155.024871	-0.83
20	11.73 V	155.024921	-0.51
10	11.73 V	155.024968	-0.21
0	11.73 V	155.025041	0.26
-10	11.73 V	155.025197	1.27
-20	11.73 V	155.025159	1.03
-30	11.73 V	155.025199	1.28

Top Channel @ 12.5 KHz Channel Separation

Reference Frequency: 173.9875 MHz		Limit: 2.50 ppm	
Environment Temperature (°C)	Power Supply (V)	Frequency deviation measured with time Elapse (10 minutes)	
		(MHz)	ppm
60	11.73 V	173.987325	-1.00
50	11.73 V	173.987373	-0.73
40	11.73 V	173.987417	-0.47
30	11.73 V	173.987477	-0.13
20	11.73 V	173.987518	0.10
10	11.73 V	173.987583	0.47
0	11.73 V	173.987631	0.75
-10	11.73 V	173.987686	1.06
-20	11.73 V	173.987732	1.33
-30	11.73 V	173.987801	1.72

Top Channel @ 12.5 KHz Channel Separation

Reference Frequency: 173.9875 MHz		Limit: 2.5 ppm	
Environment Temperature (°C)	Power Supply (V)	Frequency deviation measured with time Elapse (10 minutes)	
		(MHz)	ppm
60	15.87	173.987391	-0.62
50	15.87	173.987459	-0.23
40	15.87	173.987519	0.11
30	15.87	173.987565	0.37
20	15.87	173.987621	0.69
10	15.87	173.987681	1.03
0	15.87	173.987722	1.27
-10	15.87	173.987778	1.59
-20	15.87	173.987817	1.81
-30	15.87	173.987875	2.14

Middle Channel @ 12.5 KHz Channel Separations

Reference Frequency: 155.025 MHz			Limit: 2.5 ppm	
Environment Temperature (°C)	Power Supply (V)	Frequency deviation measured with time Elapse (10 minutes)		
		(MHz)	ppm	
60	15.87	155.024828	-1.11	
50	15.87	155.024872	-0.83	
40	15.87	155.024914	-0.55	
30	15.87	155.024959	-0.26	
20	15.87	155.025011	0.07	
10	15.87	155.025061	0.39	
0	15.87	155.025109	0.70	
-10	15.87	155.025148	0.95	
-20	15.87	155.025211	1.36	
-30	15.87	155.025277	1.79	

Bottom Channel @ 12.5 KHz Channel Separation

Reference Frequency: 135.025 MHz			Limit: 2.5 ppm	
Environment Temperature (°C)	Power Supply (V)	Frequency deviation measured with time Elapse (10 minutes)		
		(MHz)	ppm	
60	15.87	135.024912	-0.65	
50	15.87	135.024961	-0.29	
40	15.87	135.025024	0.18	
30	15.87	135.025092	0.68	
20	15.87	135.025141	1.04	
10	15.87	135.025177	1.31	
0	15.87	135.025221	1.64	
-10	15.87	135.025249	1.84	
-20	15.87	135.025282	2.09	
-30	15.87	135.025311	2.30	

7. EMISSION BANDWIDTH

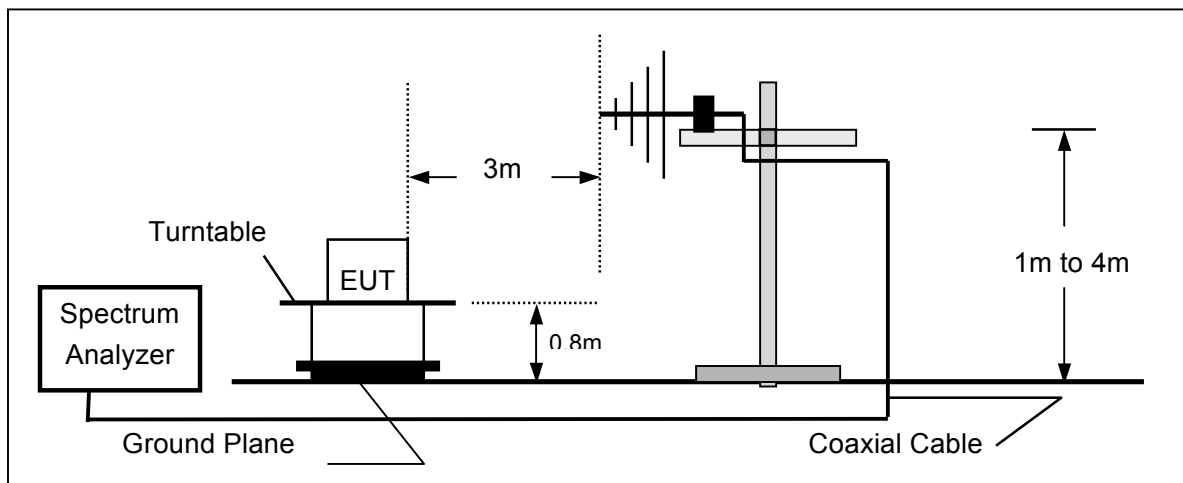
7.1 Provisions Applicable

According to FCC Part 90 Section 90.209: The authorized bandwidth shall be 11.25 KHz for 12.5 KHz and 20 KHz for 25 KHz

7.2 Measurement Procedure

- 1). The EUT was placed on a turntable which is 0.8m above ground plane.
- 2). The EUT was modulated by 1 KHz Sine wave audio signal to achieve 60% deviation
- 3). Set SPA Center Frequency = fundamental frequency, RBW=VBW= 300 Hz, Span =50 KHz.
- 4). Set SPA Max hold. Mark peak, -20dB.

7.3 Test Setup Block Diagram



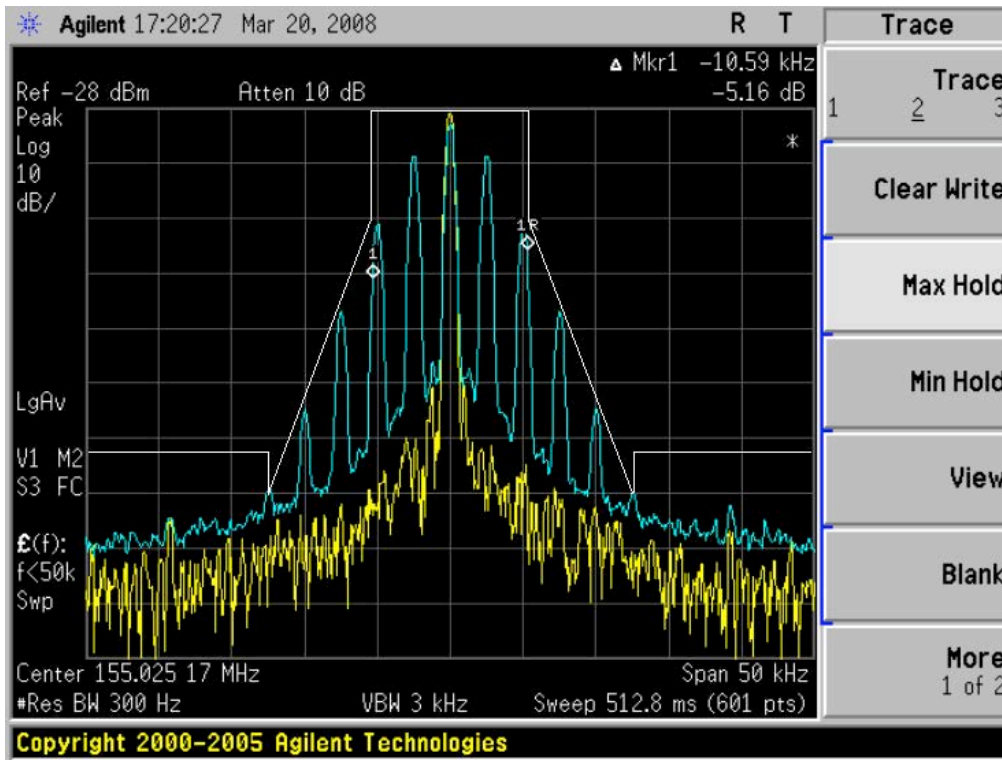
7.4 Measurement Equipment Used:

Name of Equipment	Manufacturer	Model	Serial Number	Cal. Date
Spectrum Analyzer	Agilent	E4440A	US41421290	2007-04-16
Climate Chamber	ESPEC	EL-10KA	05107008	2007-04-16

7.5 MEASUREMENT RESULT:

Operating Frequency	12.5 KHz Channel Separation		
	Test Data	Limits	Result
Bottom Channel	10.24 KHz	11.25 KHz	Pass
Middle Channel	10.59 KHz	11.25 KHz	Pass
Top Channel	10.37 KHz	11.25 KHz	Pass

Occupied bandwidth for Middle Channel (Max Bandwidth)



8. UNWANTED RADIATION

8.1 Provisions Applicable

8.1.1 According to Section 90.210, the power of each unwanted emission shall be less than Transmitted Power as specified below for transmitters designed to operate with 12.5 KHz channel bandwidth:

- (1). On any frequency removed from the center of the authorized bandwidth f_0 to 5.625 KHz removed from f_0 : Zero dB
- (2). On any frequency removed from the center of the authorized bandwidth by a displacement frequency (f_d in KHz) f_0 of more than 5.625 KHz but no more than 12.5 KHz: At least $7.27(f_d - 2.88 \text{ KHz})$ dB
- (3). On any frequency removed from the center of the authorized bandwidth by a displacement Frequency (f_d in KHz) f_0 of more than 12.5 KHz: At least $50 + 10 \log(P)$ dB or 70 dB, which ever is lesser attenuation.

8.1.2 According to Section 90.210, Emission mask B. For transmitters designed to transmit with 25KHz channel separation and equipped with an audio low-pass filter, the power of any emission must be attenuated below the unmodulated carrier power (P) as following:

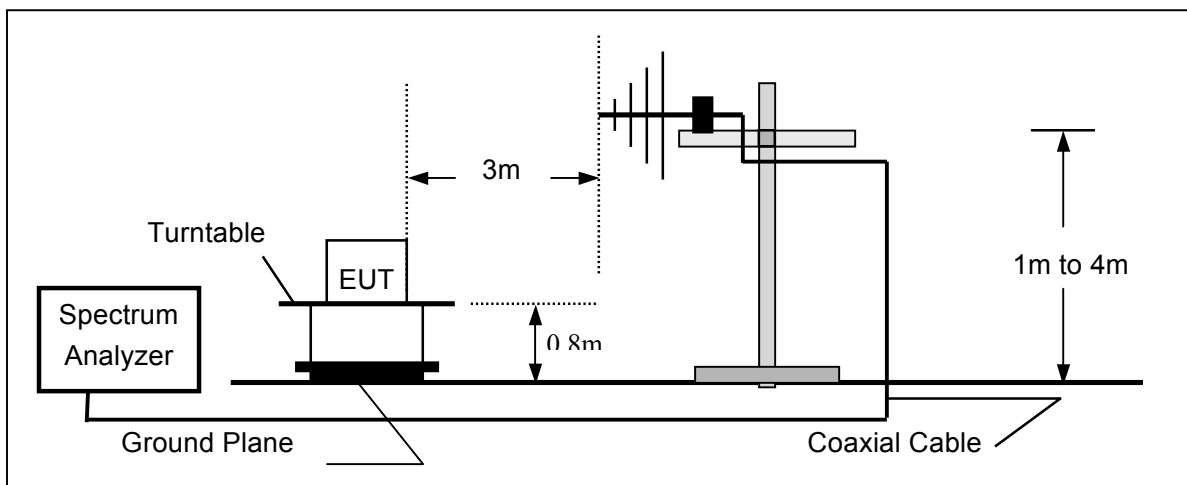
- (1), On any frequency removed from the assigned frequency by more than 50 percent, but no more than 100 percent of the authorized bandwidth: At least 25 dB.
- (2), On any frequency removed from the assigned frequency by more than 100 percent, but no more than 250 percent of the authorized bandwidth: At least 35 dB.
- (3), On any frequency removed from the assigned frequency by more than 250 percent of the authorized bandwidth: At least $43 + 10 \log(P)$ dB.

8.2 Measurement Procedure

- (1). On a test site, the EUT shall be placed on a turntable, and in the position closest to the normal use as declared by the user.
- (2). The test antenna shall be oriented initially for vertical polarization located 3m from the EUT to correspond to the transmitter.
- (3). The output of the antenna shall be connected to the measuring receiver and either a peak or quasi-peak detector was used for the measurement as indicated on the report. The detector selection is based on how close the emission level was approaching the limit.
- (4). The transmitter shall be switched on; if possible, without the modulation and the measurement receiver shall be tuned to the frequency of the transmitter under test.
- (5). The test antenna shall be raised and lowered through the specified range of height until the measuring receiver detects a maximum signal level.
- (6). The transmitter shall then be rotated through 360° in the horizontal plane, until the maximum signal level is detected by the measuring receiver.
- (7). The test antenna shall be raised and lowered again through the specified range of height until the measuring receiver detects a maximum signal level.
- (8). The maximum signal level detected by the measuring receiver shall be noted.

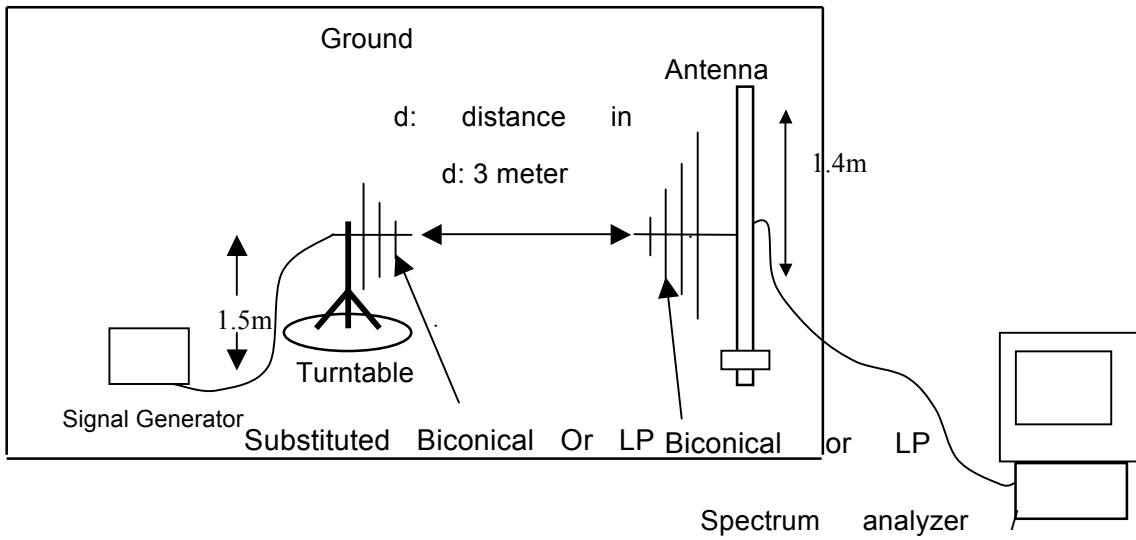
- (9). The measurement shall be repeated with the test antenna set to horizontal polarization.
- (10). Replace the antenna with a proper Antenna (substitution antenna).
- (11). The substitution antenna shall be oriented for vertical polarization and, if necessary, the length of the substitution antenna shall be adjusted to correspond to the frequency of transmitting.
- (12). The substitution antenna shall be connected to a calibrated signal generator.
- (13). If necessary, the input attenuator setting of the measuring receiver shall be adjusted in order to increase the sensitivity of the measuring receiver.
- (14). The test antenna shall be raised and lowered through the specified range of the height to ensure that the maximum signal is received.
- (15). The input signal to substitution antenna shall be adjusted to the level that produces a level detected by the measuring receiver, that is equal to the level noted while the transmitter radiated power was measured, corrected for the change of input attenuation setting of the measuring receiver.
- (16). The input level to the substitution antenna shall be recorded as power level in dBm, corrected for any change of input attenuator setting of the measuring receiver.
- (17). The measurement shall be repeated with the test antenna and the substitution antenna oriented for horizontal polarization.

8.3 Test Setup Block Diagram

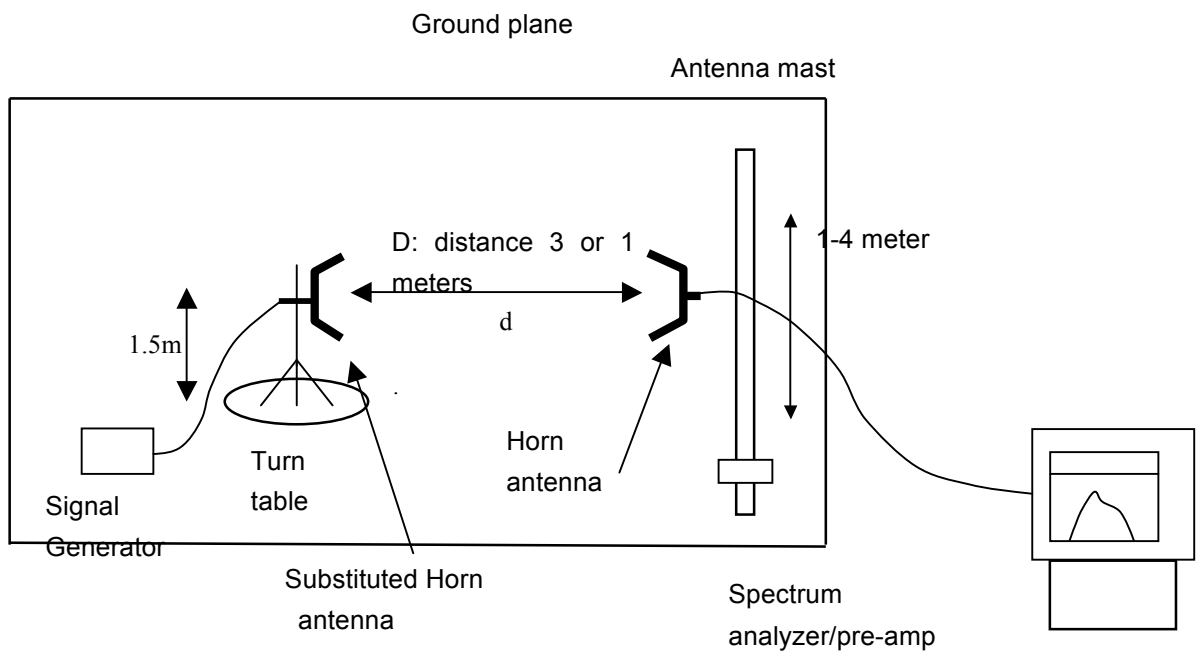


SUBSTITUTION METHOD: (Radiated Emissions)

Radiated Below 1GHz



Radiated Above 1 GHz



8.4 Measurement Equipment Used:

Radiated Emission Test Site				
Name of Equipment	Manufacturer	Model	Serial Number	Cal. Date
EMI Test Receiver	R&S	ESCS30	100343	2007-04-16
AMPLIFIER	HP	HP8447E	2945A02715	2007-04-16
ANTENNA	Sunol Sciences Corp.	JB3	A021907	2007-04-16

8.5 MEASUREMENT RESULTS:**Measurement Result For 25 KHz Channel Separation**

Calculation: Limit (dBm)= EL-43-10log10 (TP)

Notes: EL is the emission level of the Output Power expressed in dBm,, in this application, the EL is 10log10(P) dBm.

Limit (dBm)=10log10(P) - 43-10log 10 (TP) = -13 dBm

Bottom Channel

Frequency (MHz)	Reading level (dBuV)	Antenna Polarization	S.G. (dBm)	Cable loss (dB)	Correction (dB)	Emission level (dBm)	Limit (dBm)	Margin (dB)
--	--	--	--	--	--	--	-13	--

Middle Channel

Frequency (MHz)	Reading level (dBuV)	Antenna Polarization	S.G. (dBm)	Cable loss (dB)	Correction (dB)	Emission level (dBm)	Limit (dBm)	Margin (dB)
--	--	--	--	--	--	--	-13	--

Top Channel

Frequency (MHz)	Reading level (dBuV)	Antenna Polarization	S.G. (dBm)	Cable loss (dB)	Correction (dB)	Emission level (dBm)	Limit (dBm)	Margin (dB)
--	--	--	--	--	--	--	-13	--

Notes:

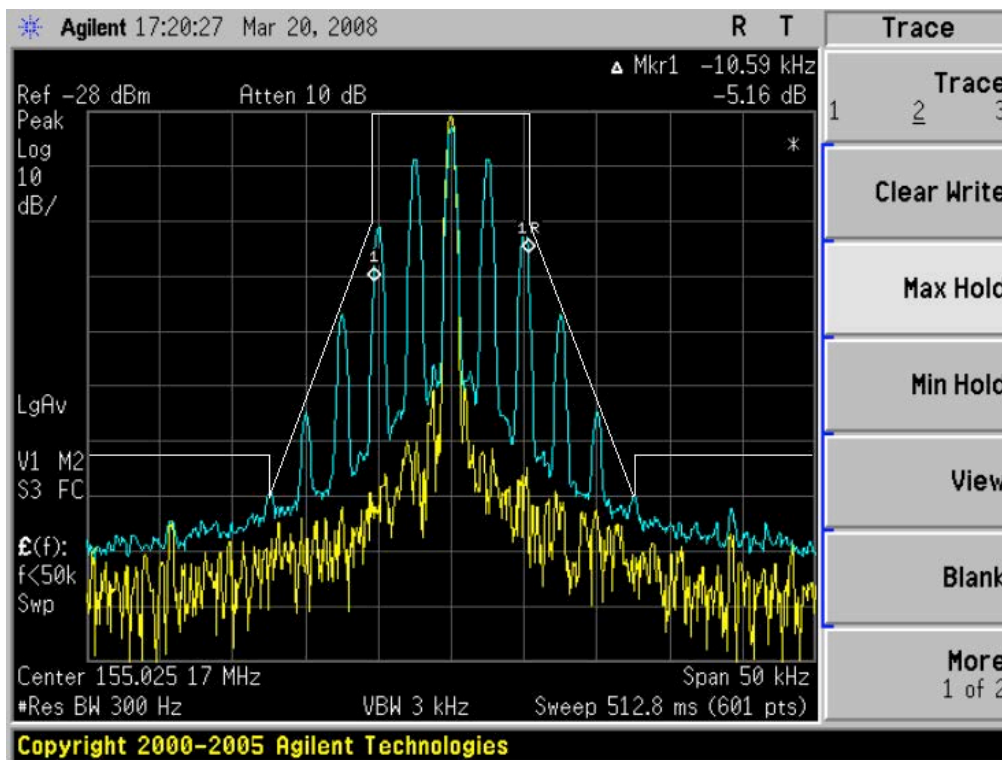
“—” means that the emission level is too low to be measured or at least 20 dB down than the limit.

8.6 Emission Mask Plot

The detailed procedure employed for Emission Mask measurements are specified as following:

- The transmitter shall be modulated by a 2.5 kHz audio signal,
- The level of the audio signal employed is 16 dB greater than that necessary to produce 50% of rated system deviation. Rated system deviation is 2.5 kHz (12.5 kHz channel spacing)

The Worst Emission Mask for 12.5 KHz channel Separation



9. MODULATION CHARACTERISTICS

9.1 Provisions Applicable

According to CFR 47 section 2.1047(a), for Voice Modulation Communication Equipment, the frequency response of the audio modulation circuit over a range of 100 to 5000Hz shall be measured.

9.2 Measurement Method

9.2.1 Modulation Limit

- (1). Configure the EUT as shown in figure 1, adjust the audio input for 60% of rated system deviation at 1KHz using this level as a reference (0dB) and vary the input level from -20 to +20dB. Record the frequency deviation obtained as a function of the input level.
- (2). Repeat step 1 with input frequency changing to 300, 1000, and 3000Hz in sequence.

9.2.2 Audio Frequency Response

- (1). Configure the EUT as shown in figure 1.
- (2). Adjust the audio input for 20% of rated system deviation at 1 KHz using this level as a reference (0 dB).
- (3). Vary the Audio frequency from 100 Hz to 10 KHz and record the frequency deviation.
- (4). Audio Frequency Response = $20\log_{10}(\text{Deviation of test frequency}/\text{Deviation of 1KHz reference})$.

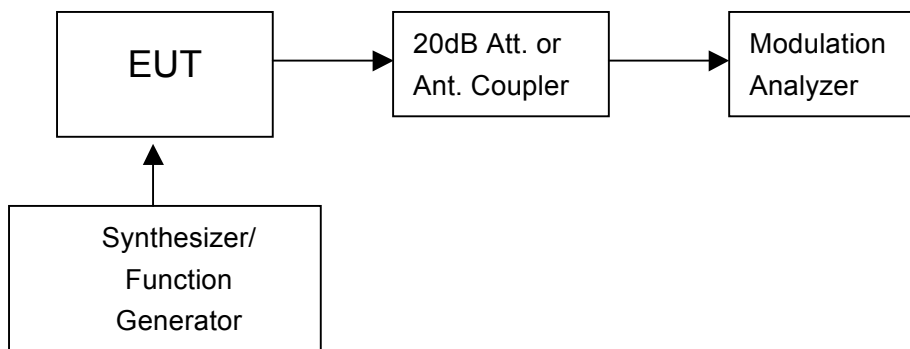


Figure 1: Modulation characteristic measurement configuration

9.3 Measurement Instruments

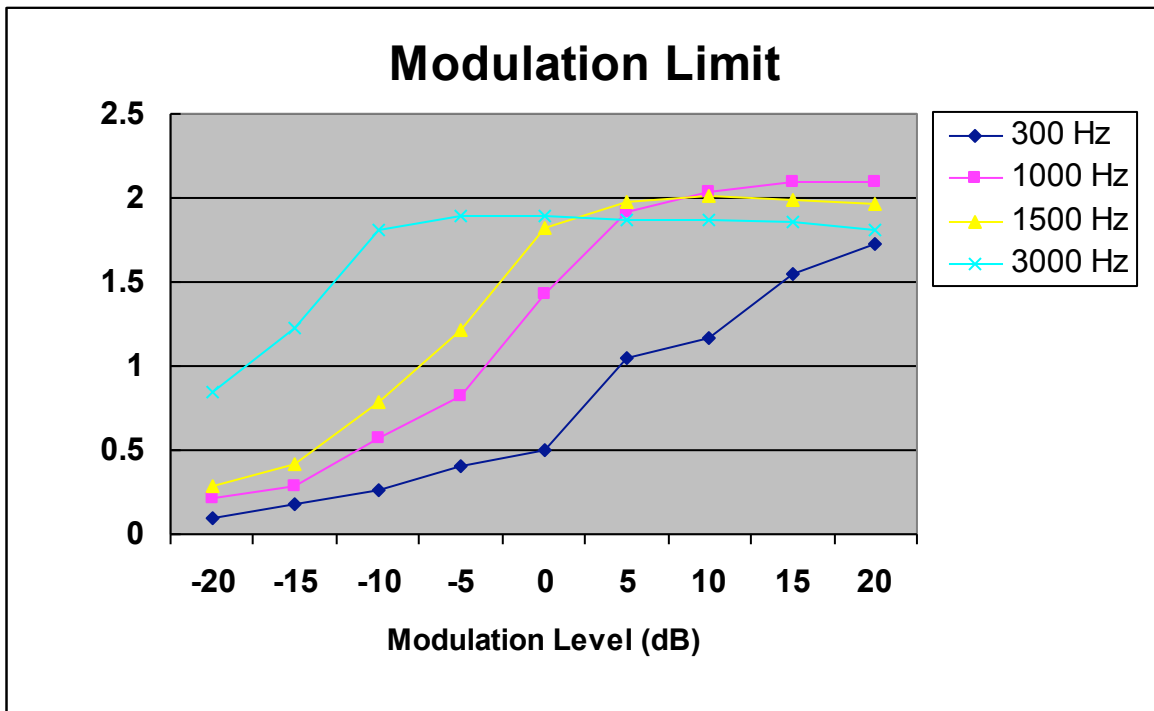
Name of Equipment	Manufacturer	Model	Serial Number	Cal. Date
Modulation Analyzer	HP	8920B	3104A03367	2007-04-16
Signal Generator	Rohde&Schwarz	SMT03	100059	2007-04-16

9.4 Measurement Result

(a). Modulation Limit:

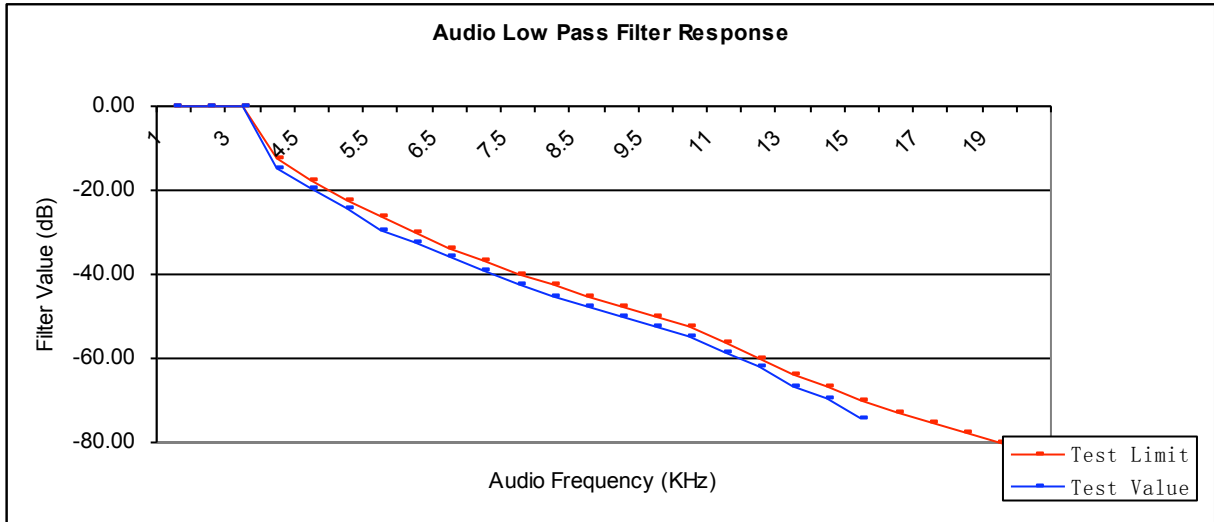
Middle Channel @ 12.5KHz Channel Separation

Modulation Level (dB)	Peak Freq. Deviation At 300 Hz	Peak Freq. Deviation At 1000 Hz	Peak Freq. Deviation At 1500 Hz	Peak Freq. Deviation At 3000 Hz
-20	0.09	0.21	0.28	0.85
-15	0.18	0.28	0.42	1.23
-10	0.26	0.57	0.78	1.81
-5	0.40	0.82	1.22	1.89
0	0.50	1.43	1.82	1.89
+5	1.05	1.92	1.98	1.87
+10	1.17	2.03	2.01	1.87
+15	1.55	2.09	1.99	1.86
+20	1.73	2.09	1.97	1.81



Audio Low Pass Filter Response Test Plot:

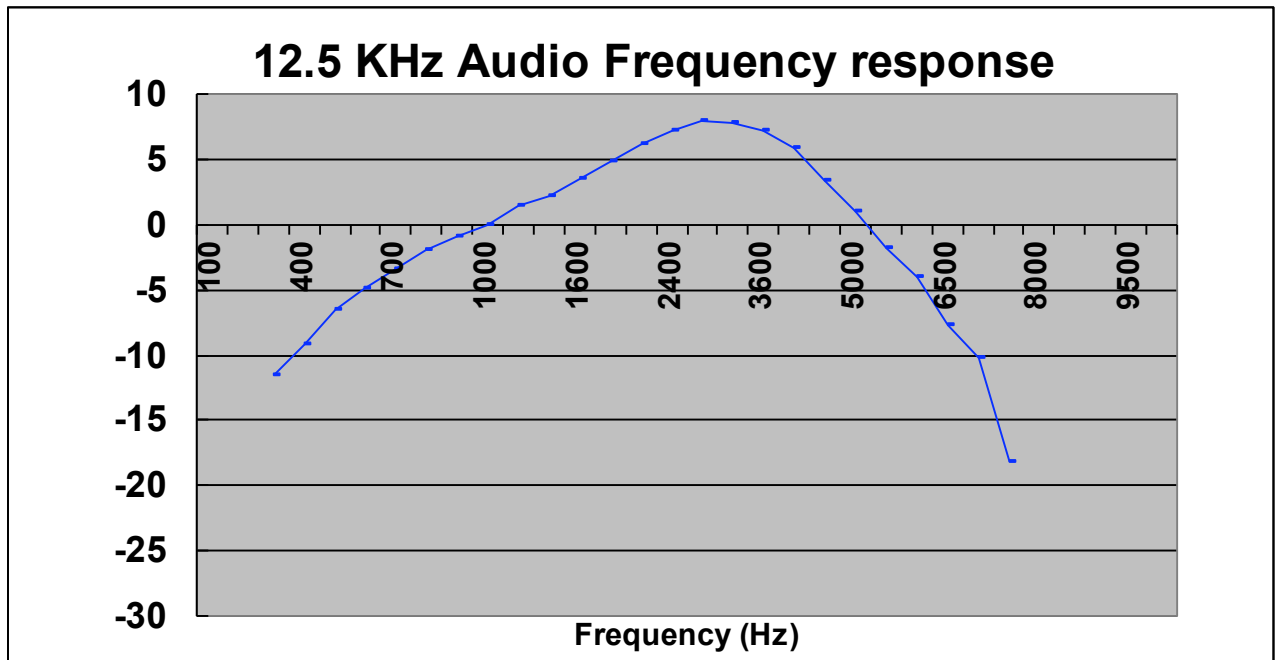
Response for 12.5 KHz Channel Separation



(b). Audio Frequency Response:**12.5 KHz Channel Separation**

Frequency (Hz)	Deviation (KHz)
100	--
200	--
300	0.13
400	0.17
500	0.23
600	0.28
700	0.33
800	0.39
900	0.44
1000	0.49
1200	0.58
1400	0.63
1600	0.73
1800	0.86
2000	0.99
2400	1.12
2800	1.23
3200	1.20
3600	1.12
4000	0.96
4500	0.72
5000	0.55
5500	0.40
6000	0.31
6500	0.20
7000	0.15
7500	0.06
8000	--
10000	--
12000	--
14000	--
16000	--
18000	--
20000	--
25000	--
30000	--

Frequency Response of Middle Channel



10. MAXIMUM TRANSMITTER POWER (CONDUCTED OUTPUT POWER)

10.1 Provisions Applicable

Per FCC §2.1046 and §90.205: Maximum ERP is dependent upon the station's antenna HAAT and required service area.

10.2 Test Procedure

The RF output of transceiver was conducted to a spectrum analyzer through an appropriate attenuator.

10.3 Test Instruments

EQUIPMENT TYPE	MFR	MODEL NO.	SERIAL NO.	Cal. Date
Spectrum Analyzer	Agilent	E4440A	US41421290	2007-04-16
Attenuator	--	--	--	2007-04-16

10.4 Test Result

The maximum Conducted Power (CP) is
4.68 W for 12.5 KHz Channel Separation

* Note:

Calculation Formula: $CP = R + A + L$

CP: The final Conducted Power

R : The reading value from spectrum analyzer

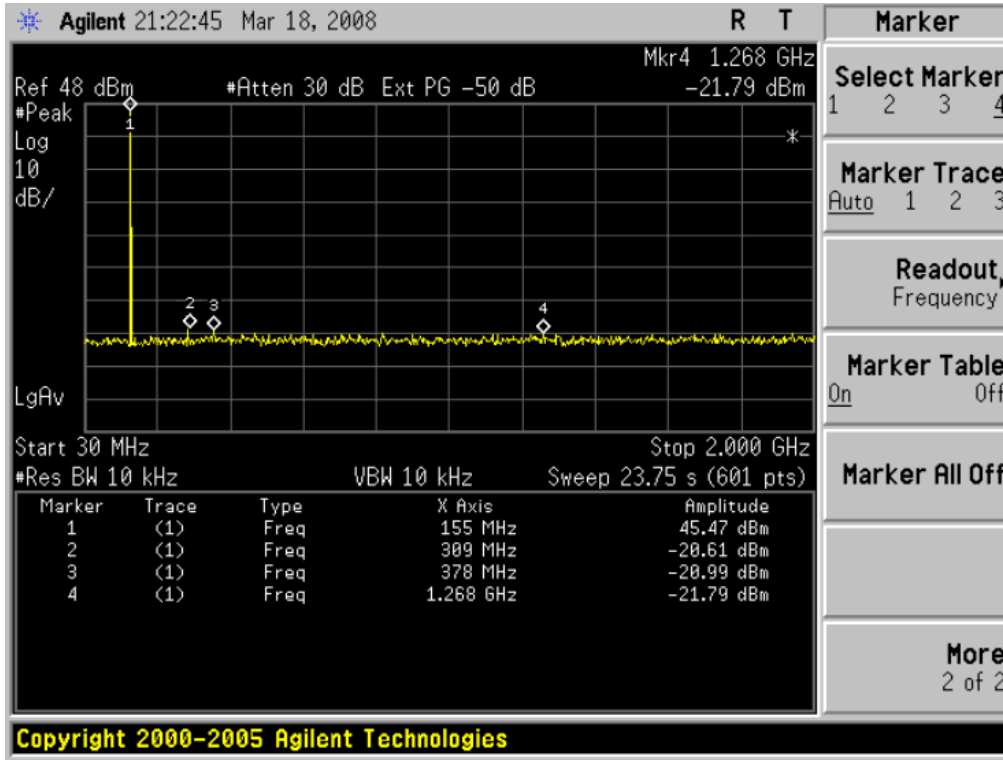
A : The attenuation value of the used attenuator

L : The loss of all connection cables

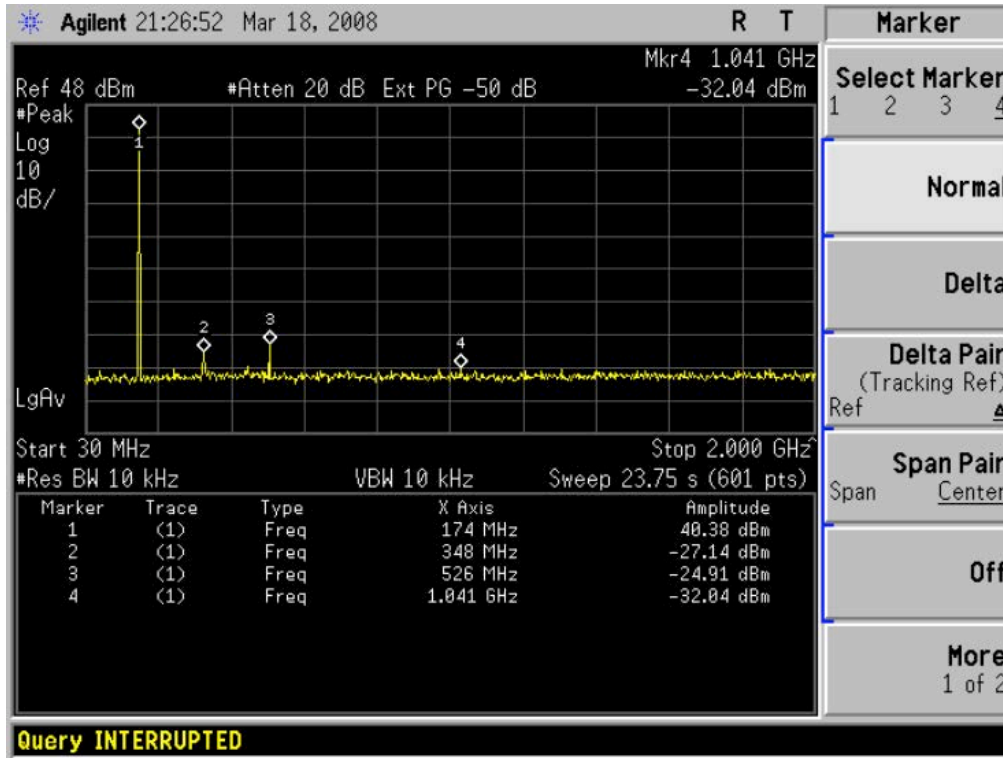
Conducted Power Measurement Results		
Channel Separation	Channel	Measurement Result
12.5 KHz	Bottom	46.40 / 43.29 / 37.08 dBm
	Middle	46.48 / 43.31 / 37.07 dBm
	Top	46.38 / 43.26 / 37.08 dBm

10.5 Conduct spurious plot

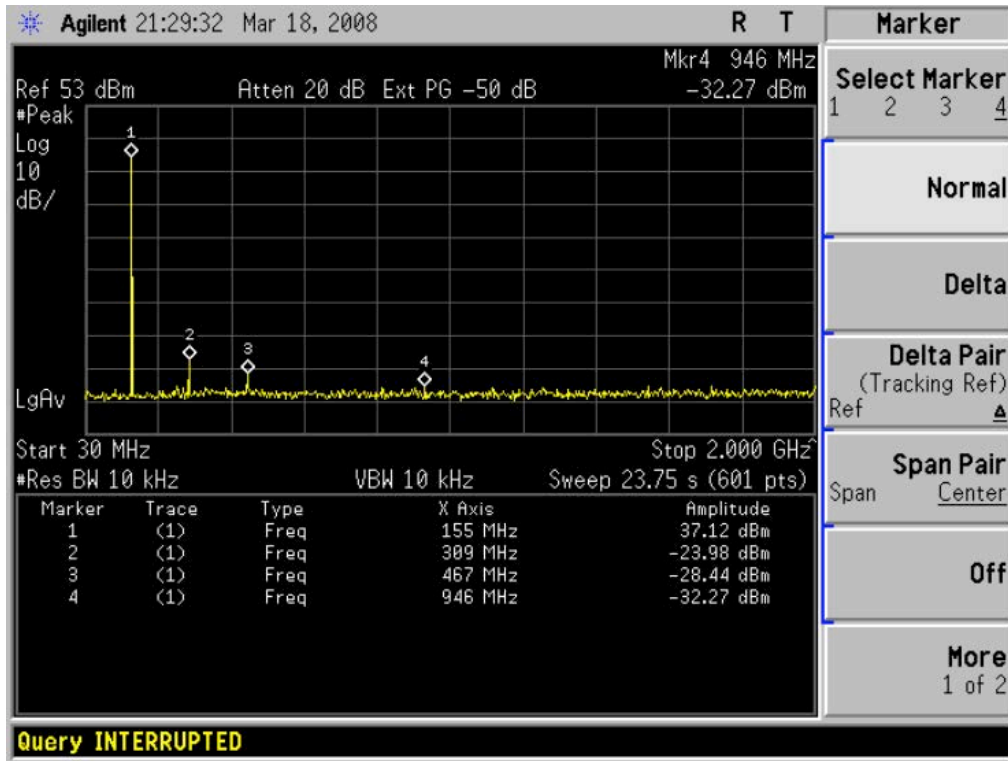
The Worst Case of The Three Channels for Conduct Spurious Emission - 50W



The Worst Case of The Three Channels for Conduct Spurious Emission - 25W



The Worst Case of The Three Channels for Conduct Spurious Emission - 5W



11 TRANSMITTER FREQUENCY BEHAVIOR

11.1 Provisions Applicable

Section 90.214

11.2 Test Method

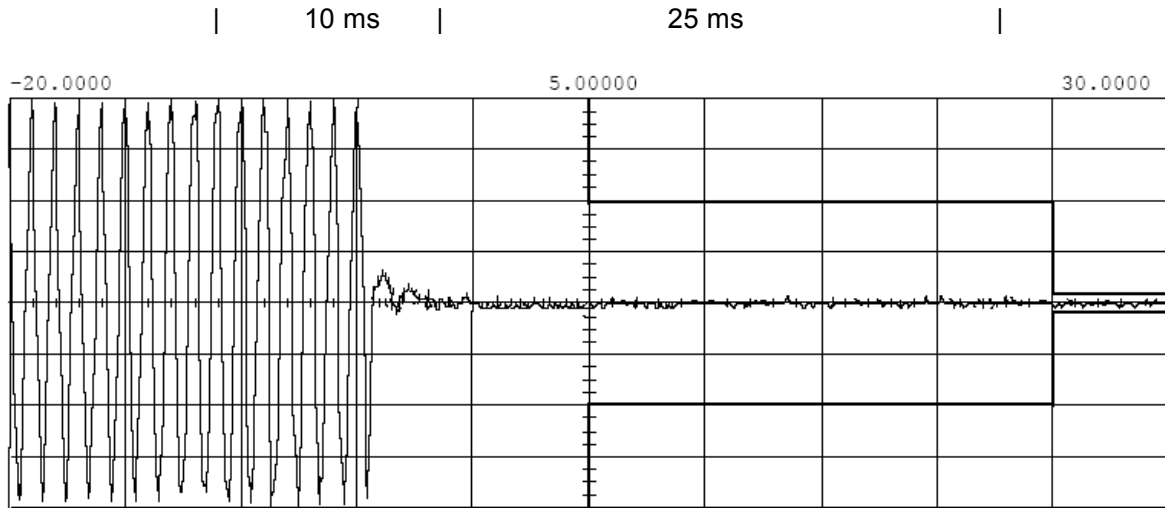
TIA/EIA-603 2.2.19

11.3 Test Instruments

Name of Equipment	Manufacturer	Model	Serial Number	Calibration Due
Signal Generator	Rohde&Schwarz	SML01	101161	2007-04-16
Storage Oscilloscope	Tektronix	TDS3052	B017447	2007-04-16

11.4 Measure Result

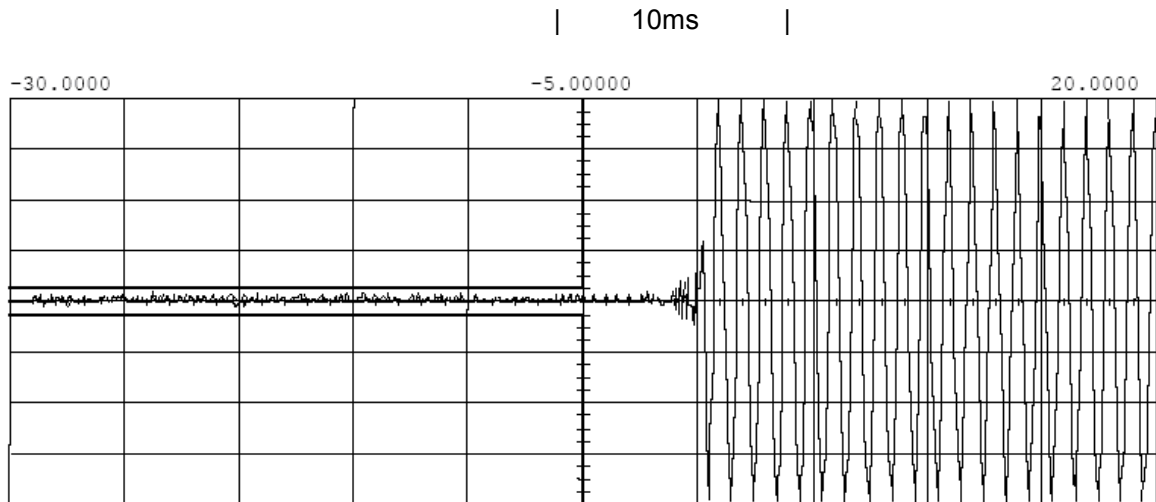
Transmitter Frequency Behaviour @ 12.5 KHz Channel Separation-----Off to On



Main	Timebase 5.00 ms/div	Delay/Pos -20.0000 ms	Left	Measurements V p-p (c1) = 30.770 mV frequency (c1) = 1.00000 kHz
Channel 1	Sensitivity 122 mV/div	Offset 0.00000 V	Probe 1.000 :1	

Trigger mode :
On Negative Edge Of
Trigger
Chan2 = -970.000 mV (noise)
Holdoff =-40.000

Transmitter Frequency Behaviour @ 12.5 KHz Channel Separation-----On to Off



Main	Timebase 5.00 ms/div	Delay/Pos 20.0000 ms	Right	Measurements V p-p (c1) = 30.770 mV frequency (c1) = 1.00000 kHz
Channel 1	Sensitivity 122 mV/div	Offset 0.00000 V	Probe 1.000 :1	

Trigger mode :
On Positive Edge Of
Trigger
Chan2 = -100.000 mV (noise)
Holdoff =-40.000

12. RADIATED EMISSION ON RECEIVING MODE

12.1 Provisions Applicable

FCC Part 15 Subpart B Section 15.109

12.2 Test Method

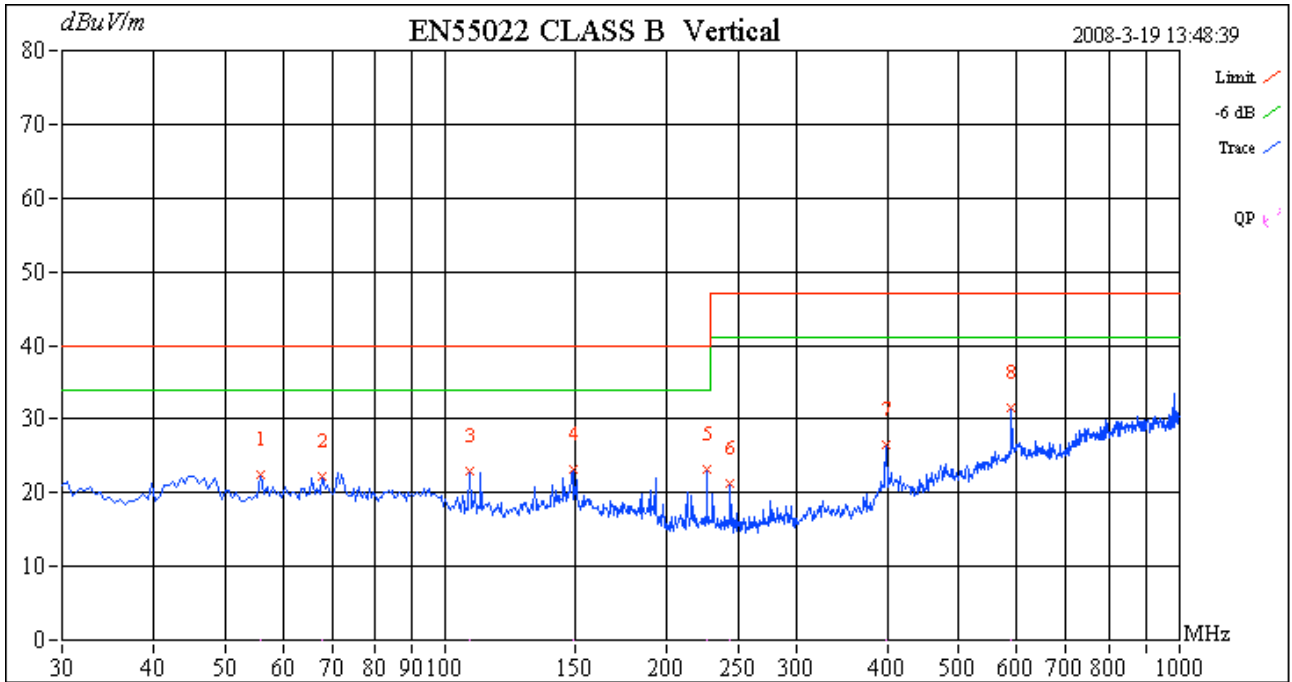
ANSI C 63.4: 2003

12.3 Test Instruments

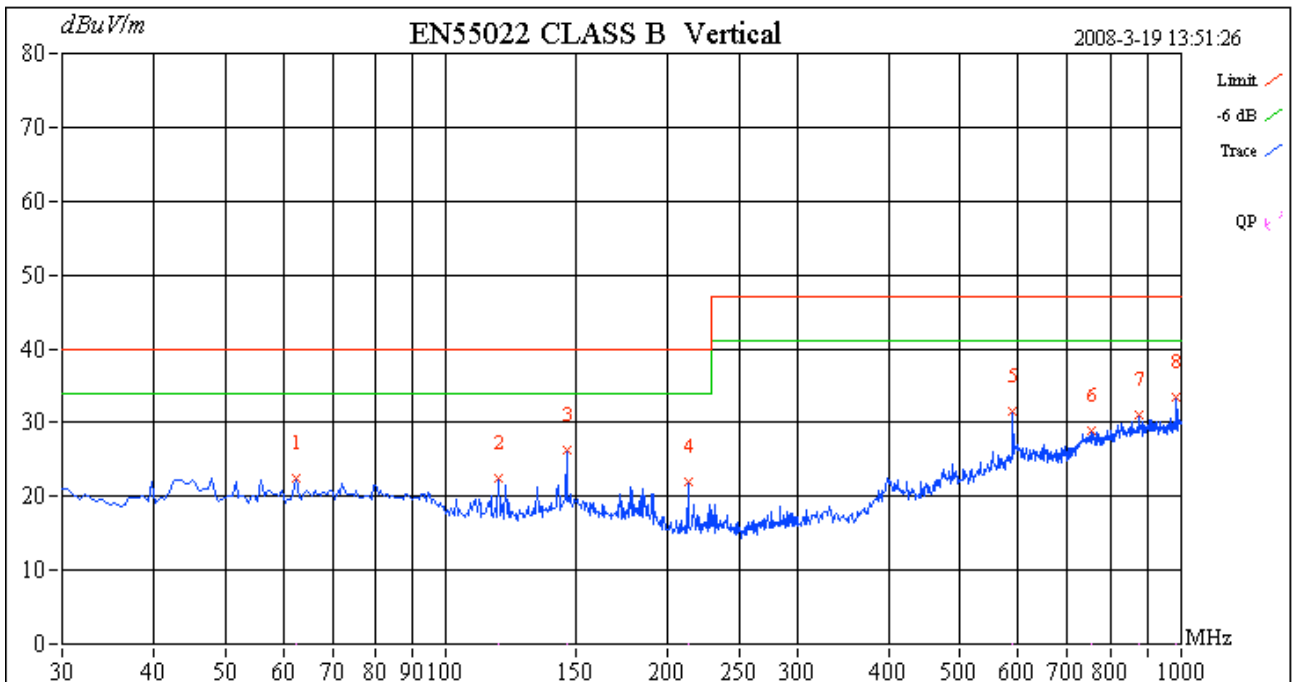
Radiated Emission Test Site				
Name of Equipment	Manufacturer	Model	Serial Number	Calibration Due
EMI Test Receiver	R&S	ESCS30	100343	2007-04-16
AMPLIFIER	HP	HP8447E	2945A02715	2007-04-16
ANTENNA	Sunol Sciences Corp.	JB3	A021907	2007-04-16

12.4 Measure Result (Measured at 3m using FCC Part15 B Limits)

RADIATED EMISSION TEST DATA – HORIZONTAL

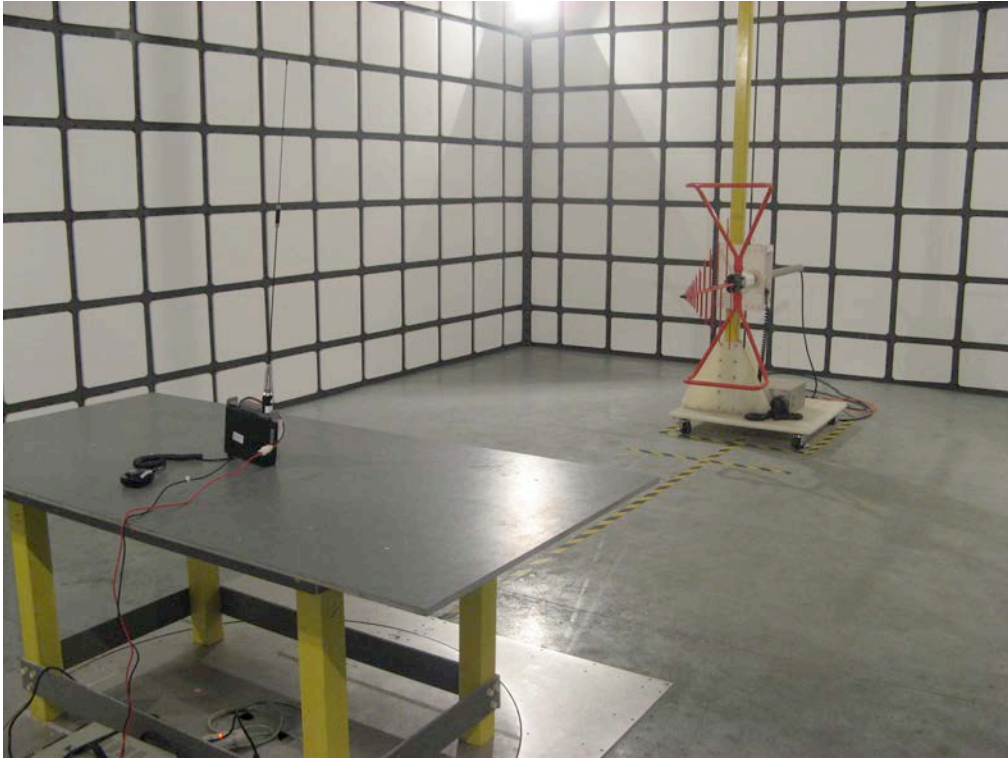


RADIATED EMISSION TEST DATA – VERTICAL



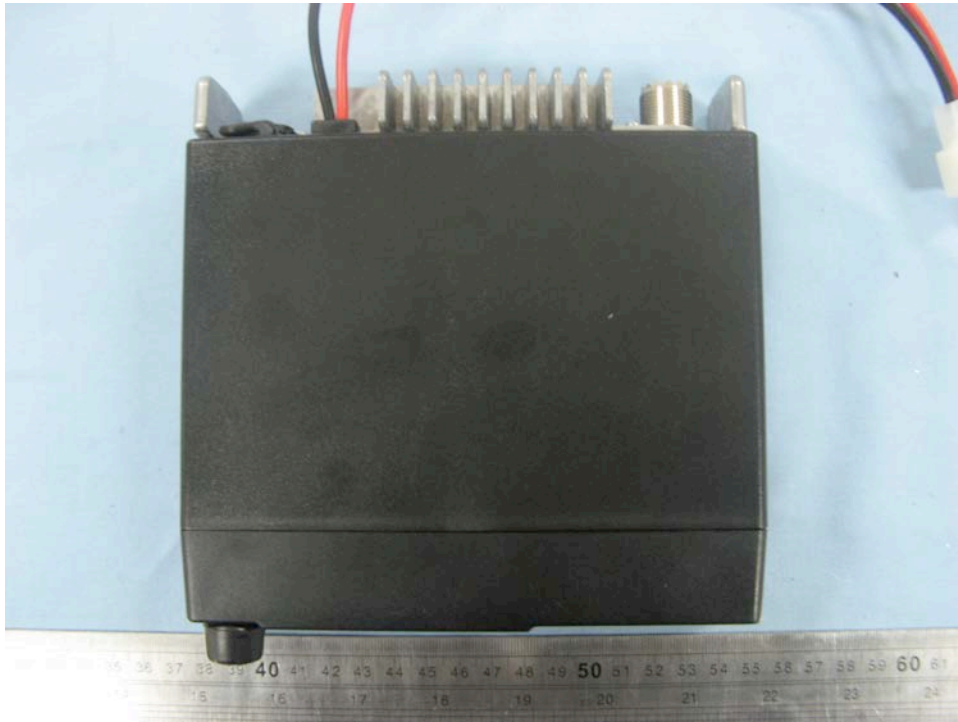
APPENDIX I
PHOTOGRAPHS OF SETUP

RADIATED TEST SETUP



APPENDIX II
PHOTOGRAPHS OF SAMPLE

TOP VIEW OF SAMPLE



BOTTOM VIEW OF SAMPLE



LEFT VIEW OF SAMPLE



RIGHT VIEW OF SAMPLE



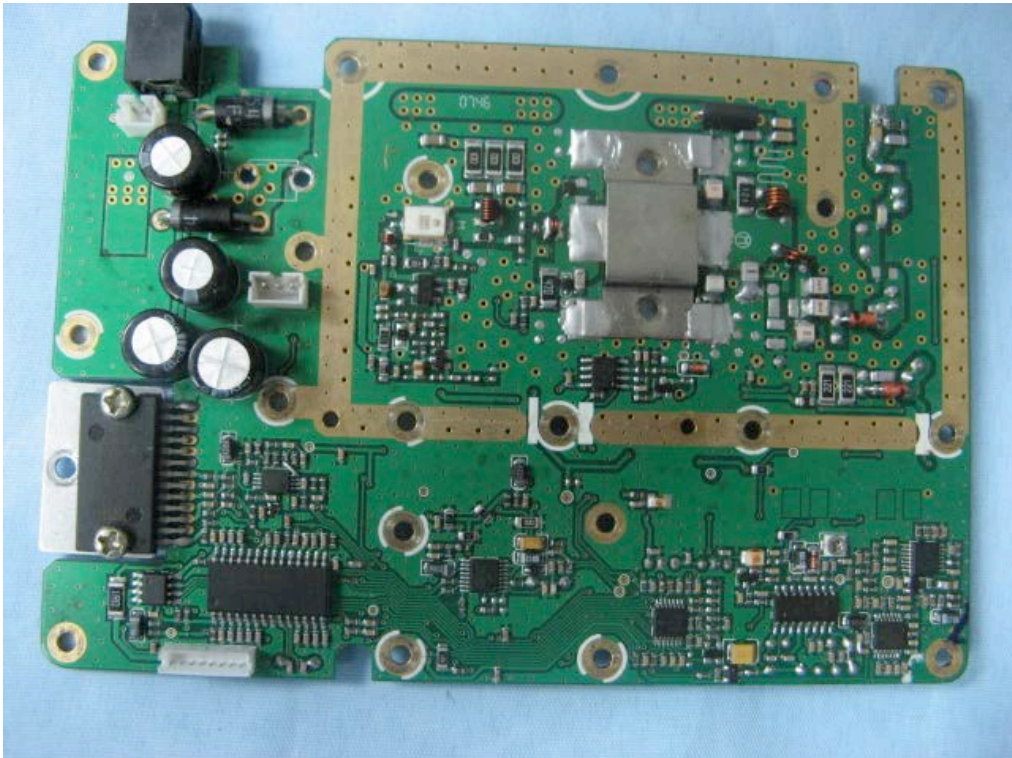
FRONT VIEW OF SAMPLE



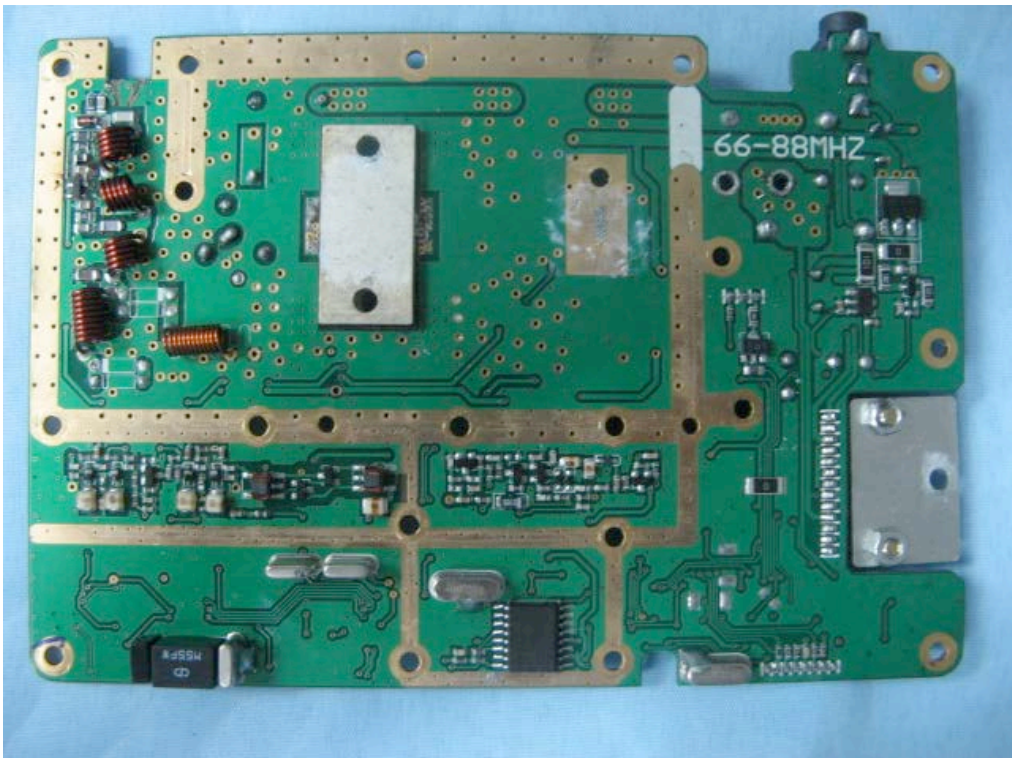
BACK VIEW OF SAMPLE



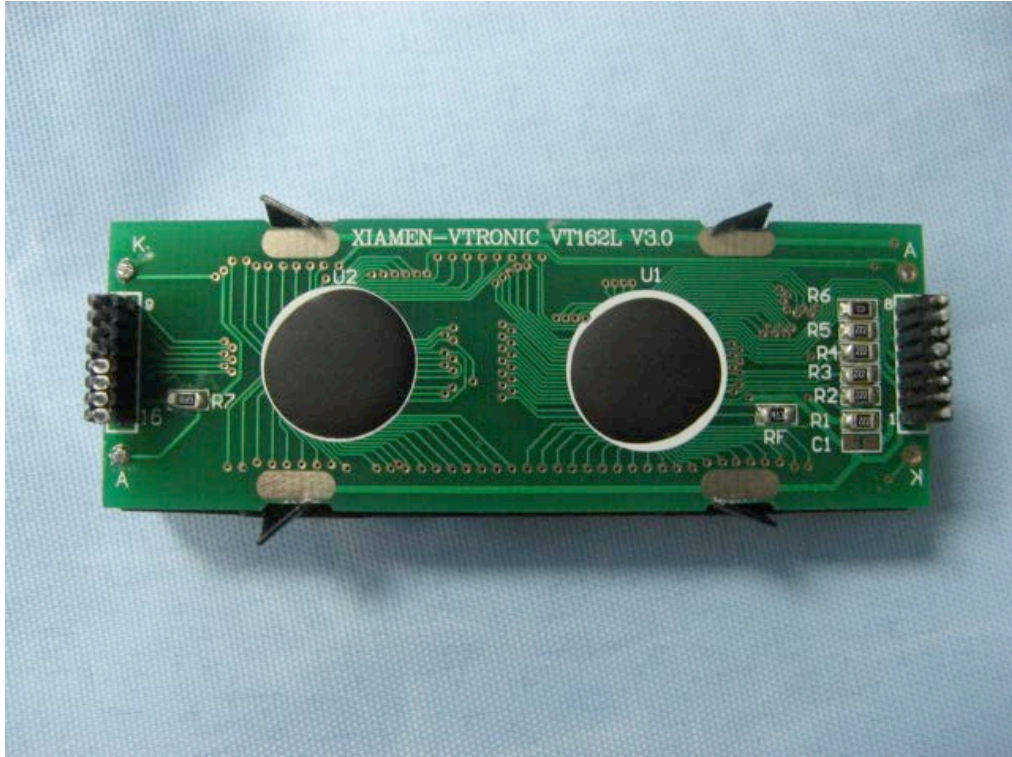
INTERNAL VIEW OF SAMPLE -1



INTERNAL VIEW OF SAMPLE -2



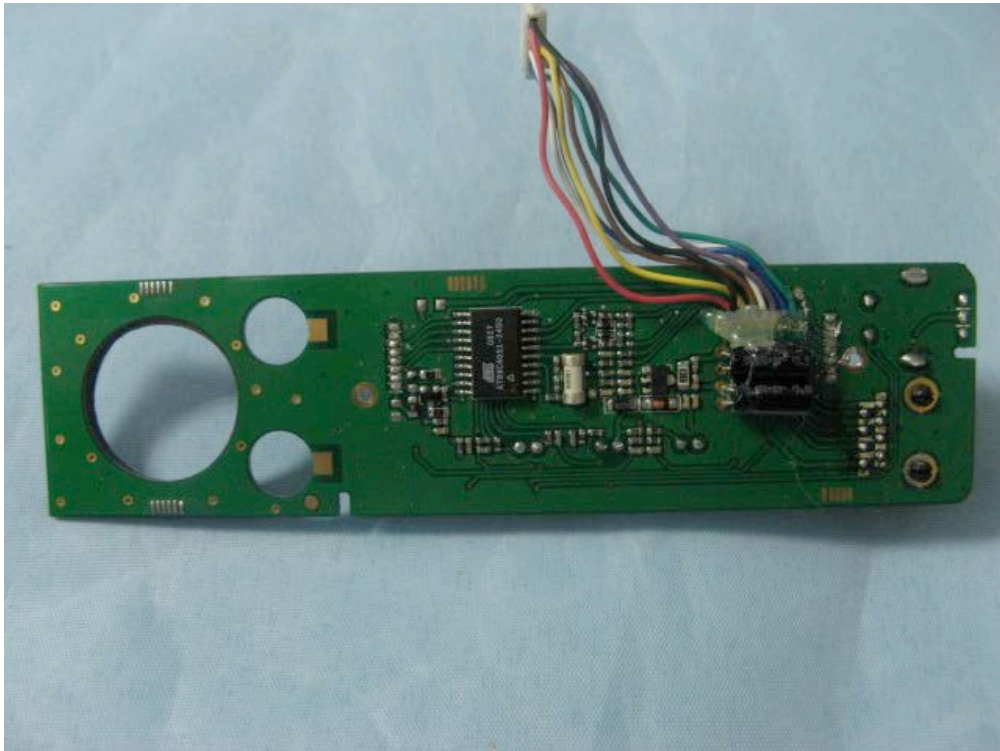
INTERNAL VIEW OF SAMPLE – 3



INTERNAL VIEW OF SAMPLE – 4



INTERNAL VIEW OF SAMPLE – 5



INTERNAL VIEW OF SAMPLE – 6

