

Indice	Date	Status	Evolutions
A0	08/01/07	Creation	establishment

SCHEMATICS

HOM-RF-07-0008-LDL

Référence primaire

A0

Ind.

Description :

This document describes the schematics

Nom du fichier : Schem.odt

	Writer	Control	Approbation
Name	Frédéric AUBINEAU	Philippe LEFAURE	Philippe LEFAURE
Date	08/01/07	08/01/07	08/01/07
Visa			

Contents

1	Object.....	3
2	Documents.....	3
2.1	Applicable documents	3
2.2	Reference documents.....	3
2.3	Terminology & abbreviations.....	3
2.3.1	Terminology.....	3
2.3.2	Abbreviations.....	3
3	Electric diagram.....	4
4	Bill of materiels.....	5

1 OBJECT

This document describes of the schematics,

2 DOCUMENTS

2.1 Applicable documents

index	Primary Reference	Title	§ referenced Doc.	§ User
[DA1]			-	-
[DA2]			-	-
[DA3]			-	-

2.2 Reference documents

index	Primary Reference	Title	§ Referenced Doc.	§ User
[DRI]			-	-

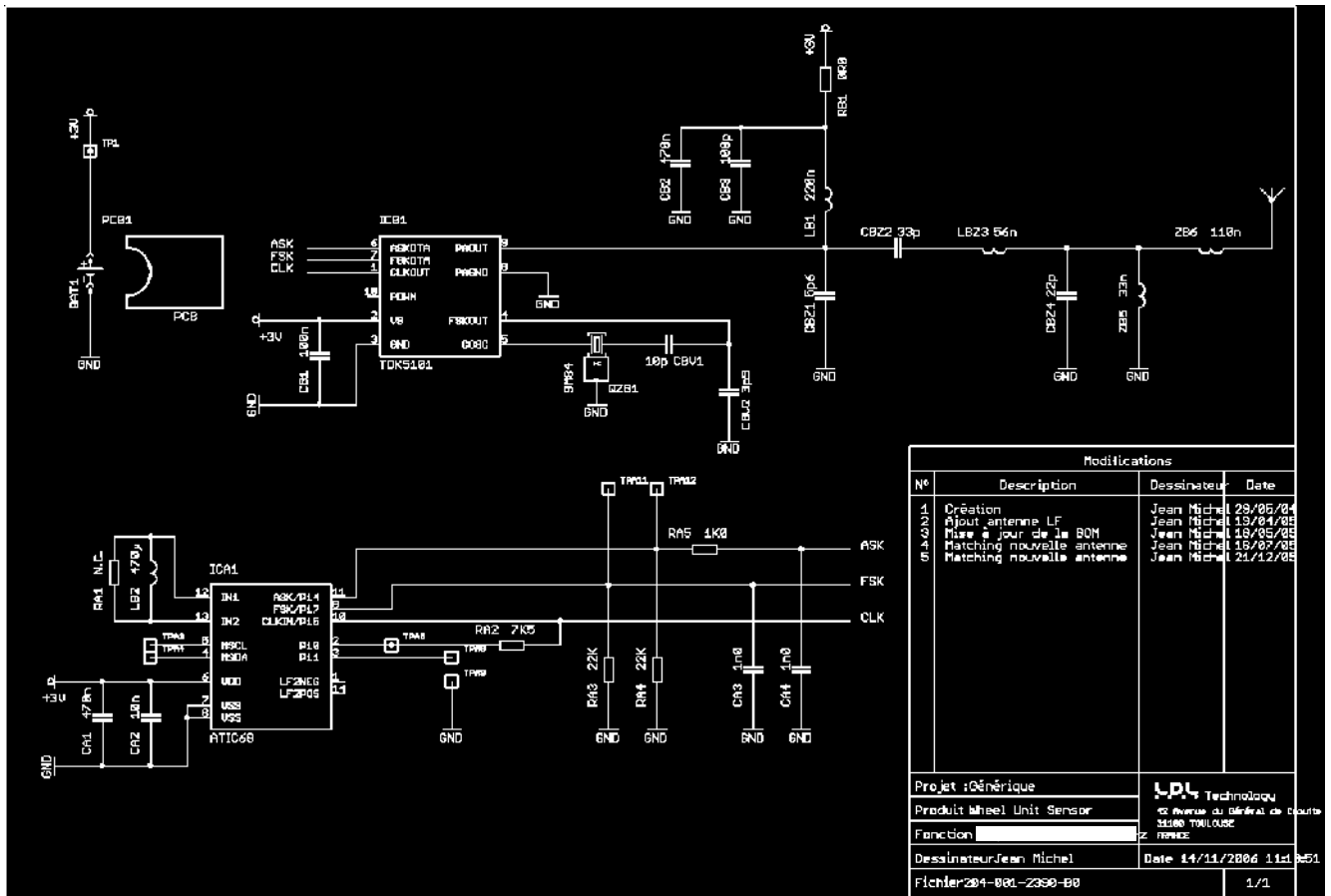
2.3 Terminology & abbreviations

2.3.1 Terminology

Not relevant.

2.3.2 Abbreviations

3 ELECTRIC DIAGRAM



Modifications			
N°	Description	Destinateur	Date
01	Creation	Jean Michel	28/05/04
02	Ajout antenne LF	Jean Michel	13/04/05
03	Mise a jour de la BOM	Jean Michel	18/05/05
04	Matching nouvelle antenne	Jean Michel	18/07/05
05	Matching nouvelle antenne	Jean Michel	21/12/05

Projet :Générique	LDL Technology
Produit :Wheel Unit Sensor	10 Avenue du Général de Gaulle 33100 TOULOUSE
Fonction :	Z FRANCE
Destinateur:Jean Michel	Date 14/11/2006 11d
Fichier:204-000-2390-00	1/1

4 BILL OF MATERIELS

Supplier	Supplier ref	Package	Tolerance	Value	Description		Total flan
Infineon	SP302V1.3	SO14_SN	(vide)	ATIC68	TIRE PRESSURE SENSOR	1	48
	TDK5101F	TSSO10_05	(vide)	TDK5101	ASK/FSK TRANSMITER 315MHz	1	48
Murata	GRM1885C1H100FA01D	603	1%	10pF	50V COG CERAMIC CAPACITOR 1%	1	48
	GRM1885C1H101JA01D	603	5%	100pF	50V COG CERAMIC CAPACITOR 5%	1	48
	GRM1885C1H220FA01D	603	1%	22pF	50V COG CERAMIC CAPACITOR 1%	1	48
	GRM1885C1H330FA01D	603	1%	33pF	50V COG CERAMIC CAPACITOR 1%	1	48
	GRM1885C1H3R9BZ01D	603	0.1pF	3.9pF	50V COG CERAMIC CAPACITOR 0.1pF	1	48
	GRM1885C1H5R6BZ01D	603	0.1pF	5.6pF	50V COG CERAMIC CAPACITOR 0.1pF	1	48
	GRM188R71E104KA01D	603	10%	100nF	25V X7R CERAMIC CAPACITOR 10%	1	48
	GRM188R71H102KA01D	603	10%	1nF	50V X7R CERAMIC CAPACITOR 10%	2	96
	GRM188R71H103KA01D	603	10%	10nF	50V X7R CERAMIC CAPACITOR 10%	1	48
	GRM219R71C474KC01D	805	10%	470nF	16V X7R CERAMIC CAPACITOR 10%	2	96
	LQW18AN33NG00	603	2%	33nH	HIGH FREQUENCY WINDING	1	48
	LQW18AN56NG00	603	2%	56nH	HIGH FREQUENCY WINDING	1	48
	LQW18ANR11G00	603	2%	110nH	HIGH FREQUENCY WINDING	1	48
	LQW18ANR22G00	603	2%	220nH	HIGH FREQUENCY WINDING	1	48
NDK	NX5032SD 9.84 Mhz EX500A-02364	5032	10ppm	9.84MHz	QUARTZ	1	48
SOS	104-001-0390-B1	(vide)	(vide)	(vide)	PCB Wheel Unit Sensor	1	48
TDK	NVL32T-471JPF	NVL32	5%	470µH	INDUCTOR	1	48
YAGEO	232270260102	603	5%	1K	1/10W THICK FILM-RESISTOR 5%	1	48
	232270260223	603	5%	22K	1/10W THICK FILM-RESISTOR 5%	2	96
	232270260513	603	5%	N.C.	1/10W THICK FILM-RESISTOR 5%	1	48
	232270260752	603	5%	7.5K	1/10W THICK FILM-RESISTOR 5%	1	48
	232270292002	603	5%	0R	1/10W THICK FILM-RESISTOR 5%	1	48