

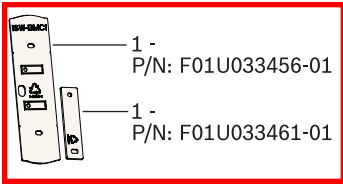
ISW-BMC1-S135X
ISW-BMC1-S135Y



wLSN Door-Window Contact
Installation Instructions



ISW-BMC1-S135X
 ISW-BMC1-S135Y



1 -
 P/N: F01U033456-01

1 -
 P/N: F01U033461-01



2 -
 P/N: F01U008137



3 -
 P/N: 38836



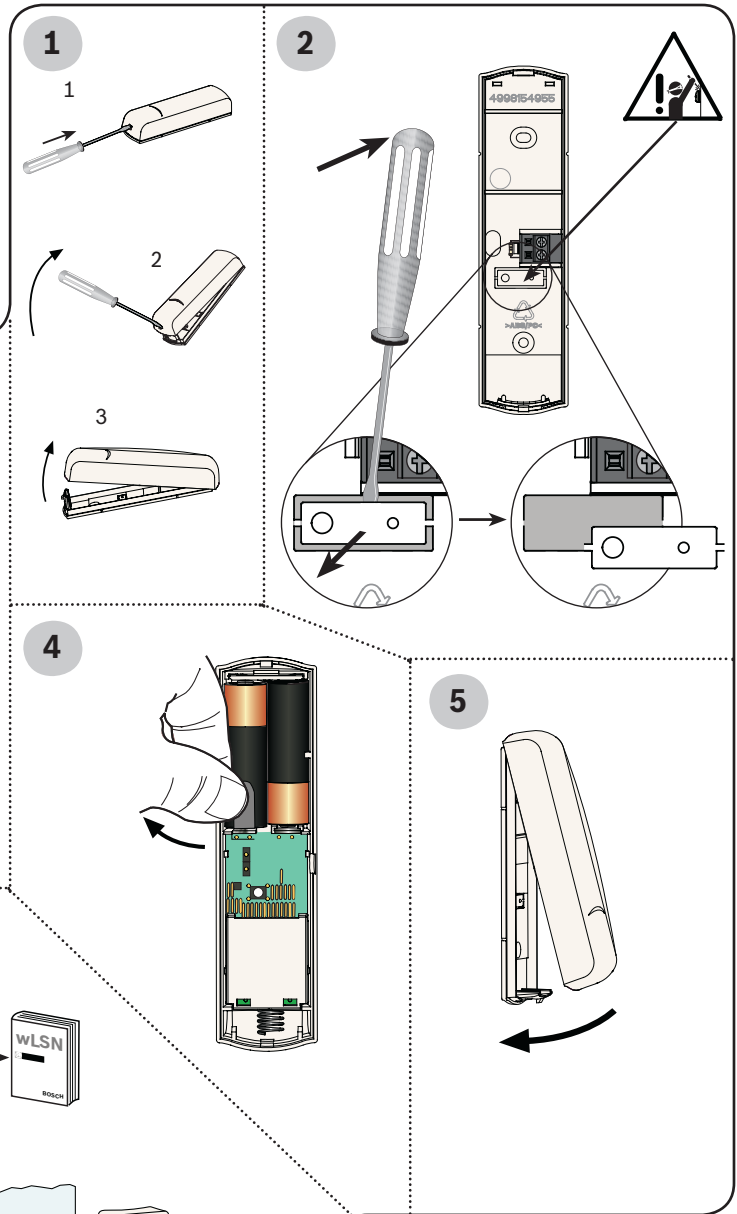
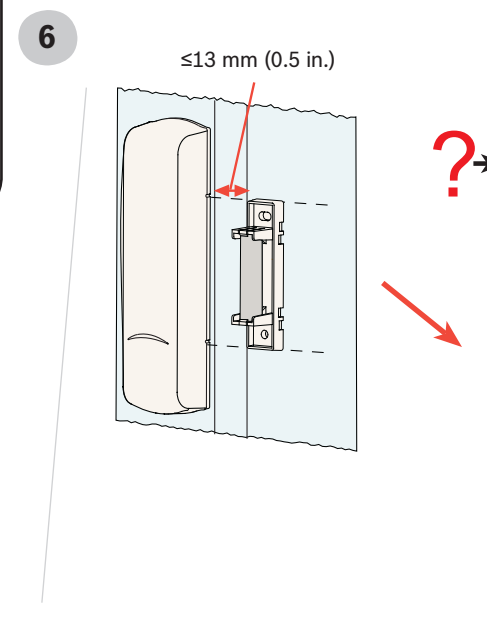
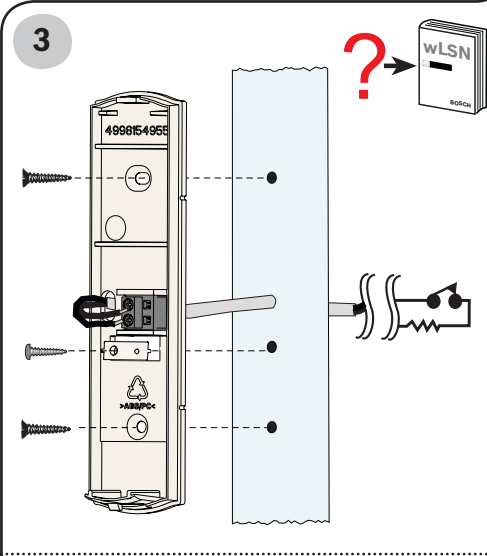
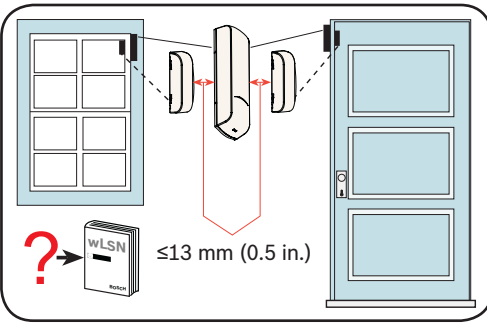
1 -
 P/N: 25944



2 -
 AA



1 -
 P/N: F01U026892B

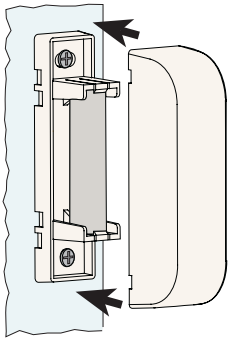


www.boschsecurity.com

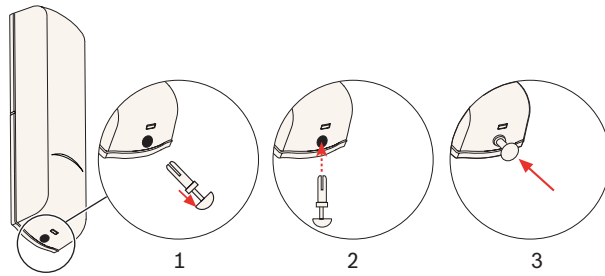
© 2007 Bosch Security Systems, Inc.
 F01U500909-01a



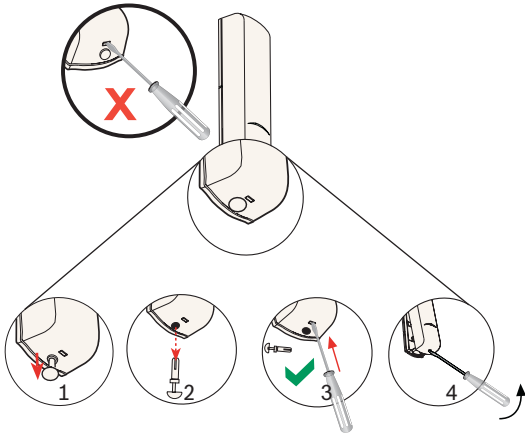
7



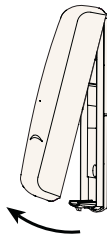
8



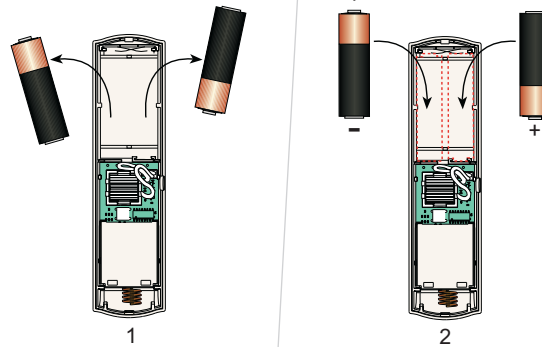
1



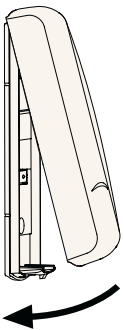
2



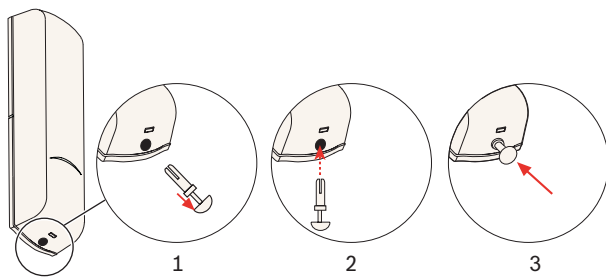
3



4



5



ISW-BMC1-S135X (868 MHz):



EN50131-1 Grade 2

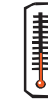
ISW-BMC1-S135Y (915 MHz):

FCC, Part 15

IC: Industry Canada RSS-210

UL634: Standard for Connectors and Switches for Use with Burglar Alarm Systems

ULC C634-M1986: Standard for Connectors and Switches for Use with Burglar Alarm Systems



-10°C - +55°C(+14°F - +131°F)

UL: 0°C - +49°C (+32°F - +120°F)

Environmental Class II

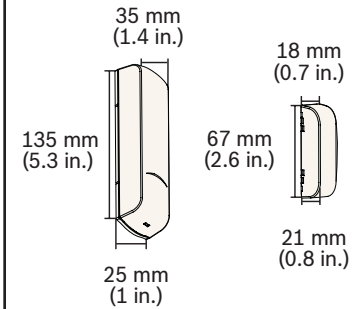


<95%



868 MHz (ISW-BMC1-S135X)

915 MHz (ISW-BMC1-S135Y)

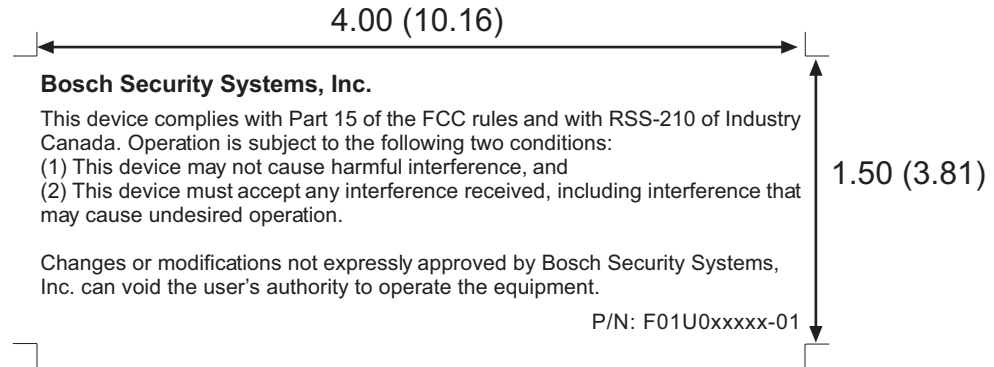


© 2007 Bosch Security Systems, Inc.
F01U500909-01a




Recyclable

VER	CP#	DATE	REVISION RECORD	DR	AUTH
01	X	8/13/07	ACCEPTED DRAWING	JF	PP



PROPRIETARY DATA
DATA CONTAINED HEREIN SHALL NOT BE USED,
DUPLICATED OR DISCLOSED IN WHOLE OR PART
OUTSIDE OF BOSCH SECURITY SYSTEMS
WITHOUT EXPRESSED WRITTEN PERMISSION OF SAME.

MATERIAL NO. F01U0xxxxx			
BOSCH SECURITY SYSTEMS, INC. 130 PERINTON PARKWAY FAIRPORT, NEW YORK, 14450-9199 USA (585) 223 4060 FAX (585) 223 9180			 BOSCH
DRAWING TITLE			
wLSN Regulatory Insert			
DATE DRAWN: 8/13/07		DRAWN BY: J Freiburger	
DWG TYPE	DRAWING NUMBER	VERSION	SCALE
DRW	F01U0xxxxx	01b	SHEET 1 OF 1