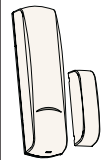


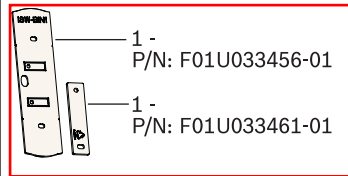
ISW-BIN1-S135X
ISW-BIN1-S135Y



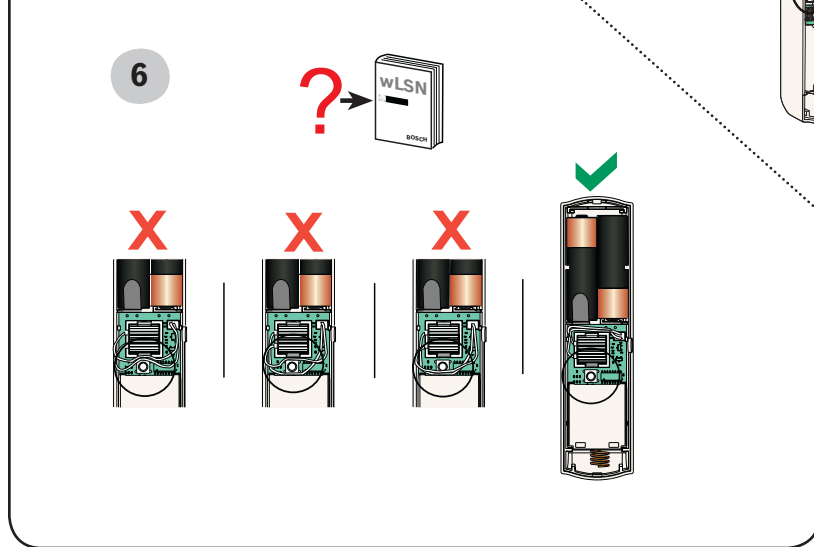
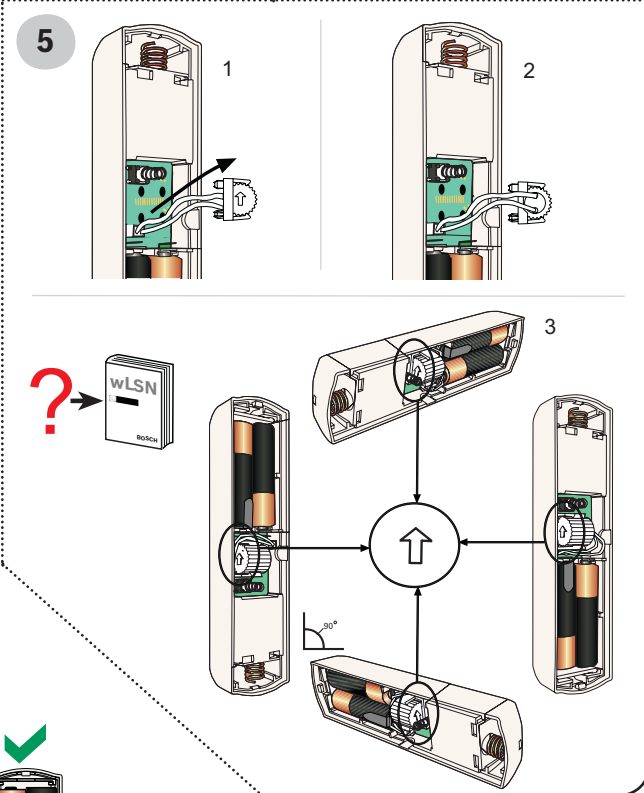
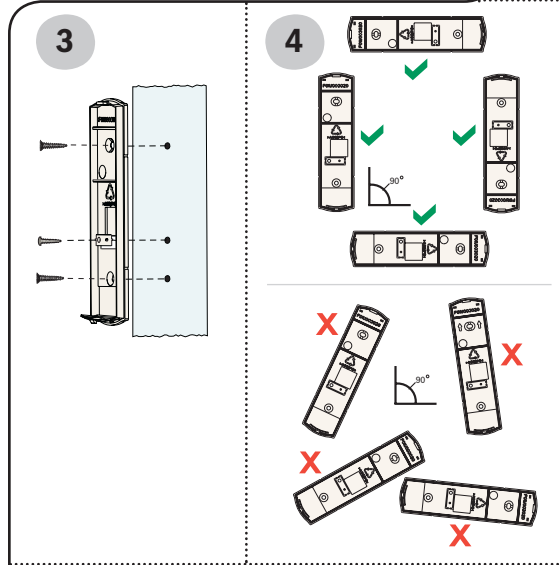
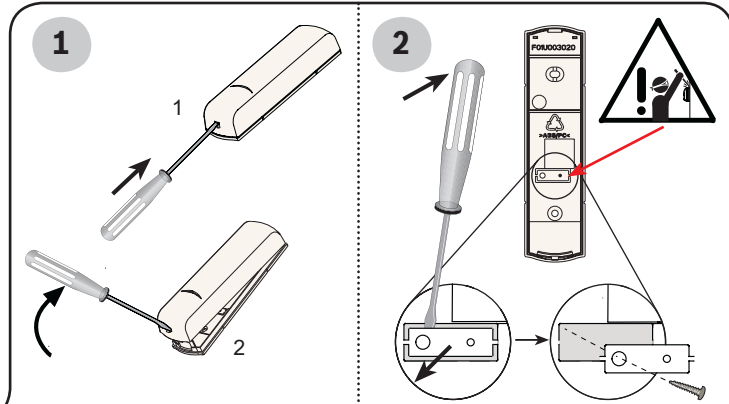
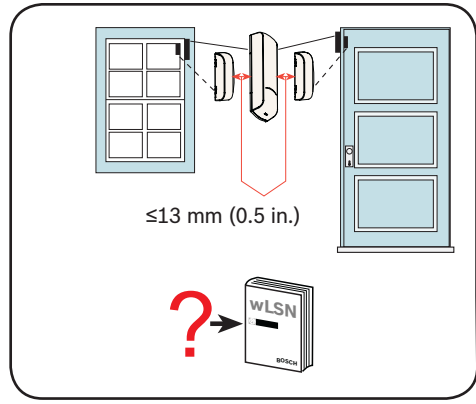
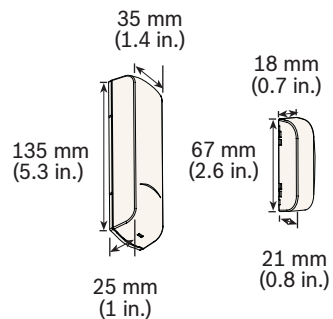
**wLSN Inertia Detector
 Installation Instructions**



ISW-BIN1-S135X
ISW-BIN1-S135Y



- 2 - P/N: F01U008137
- 3 - P/N: 38836
- 2 - AA
- 1 - P/N: F01U026892B

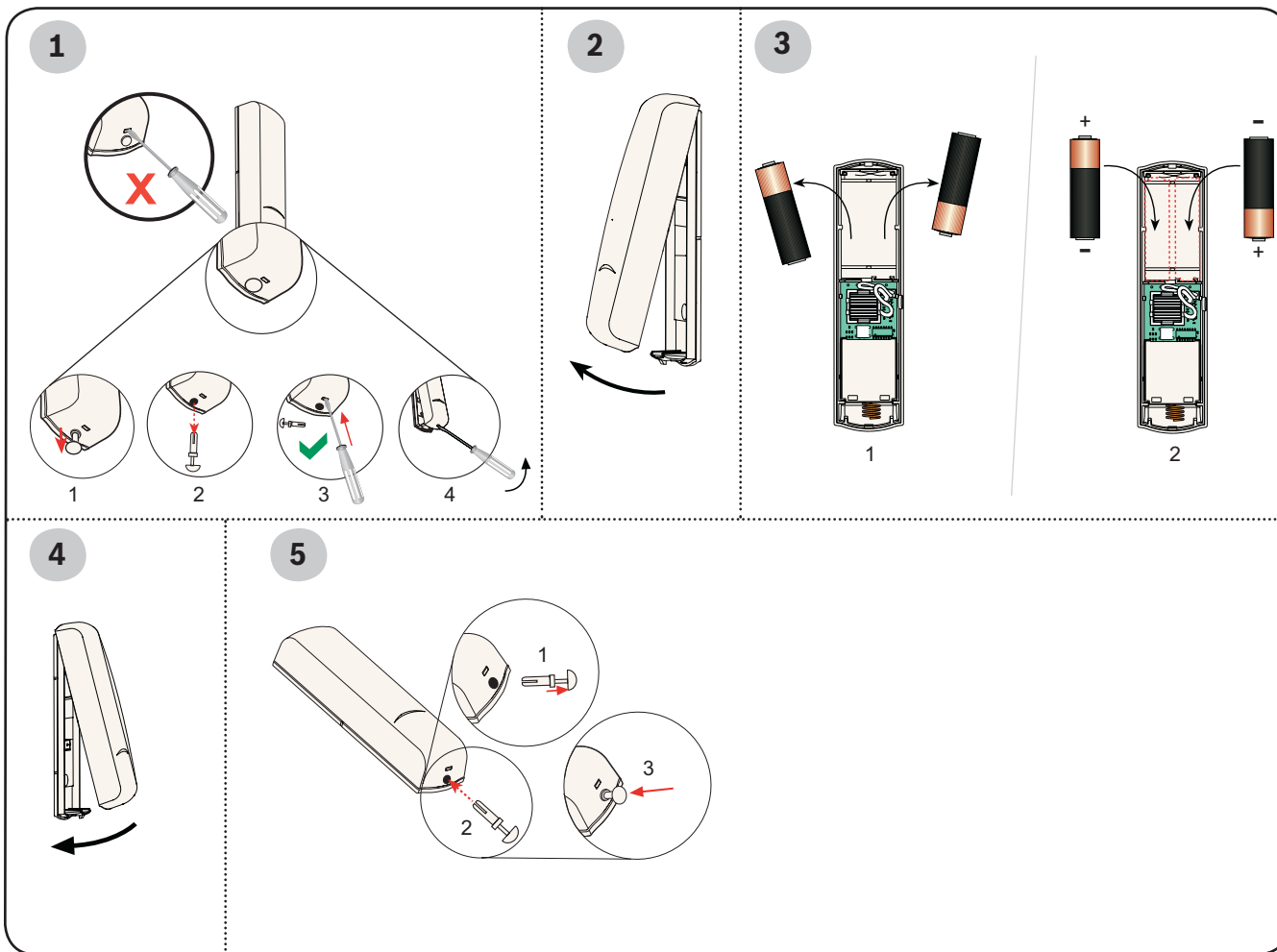
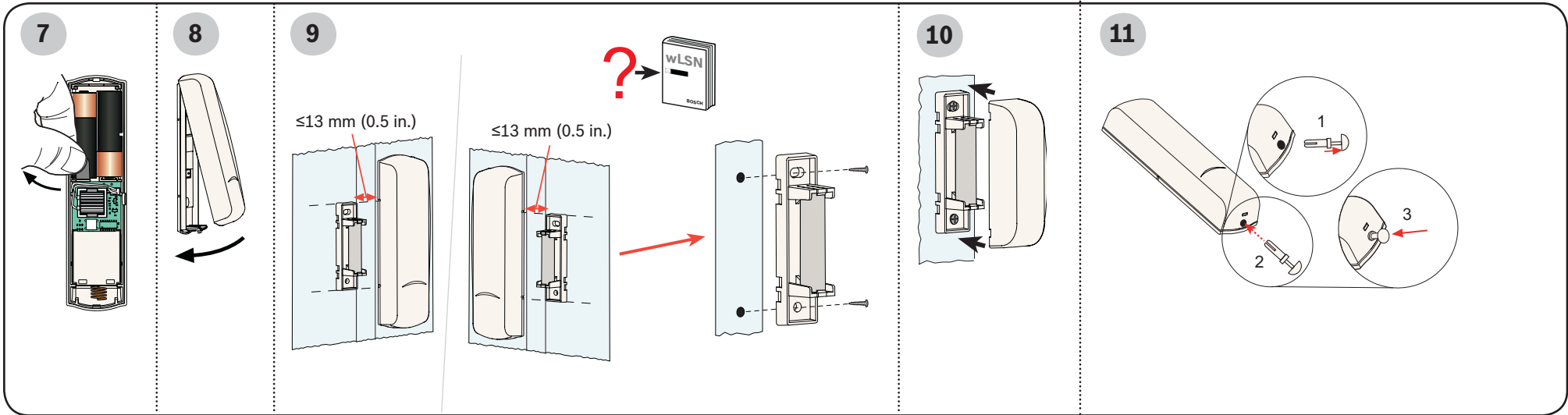


www.boschsecurity.com

© 2007 Bosch Security Systems, Inc.
 F01U011980-01a

1





ISW-BIN1-S135X (868 MHz):



EN50131-1 Grade 2

ISW-BIN1-S135Y (915 MHz):

FCC, Part 15

IC: Industry Canada RSS-210

UL634: Standard for Connectors and Switches for Use with Burglar Alarm Systems

UL639: Intrusion Detection Units

ULC C634-M1986: Standard for Connectors and Switches for Use with Burglar Alarm Systems

ULC-S306-03: Intrusion Detection Units



-10°C - +55°C (+14°F - +131°F)

UL: 0°C - +49°C (+32°F - +120°F)

Environmental Class II



<95%



868 MHz (ISW-BIN1-S135X)

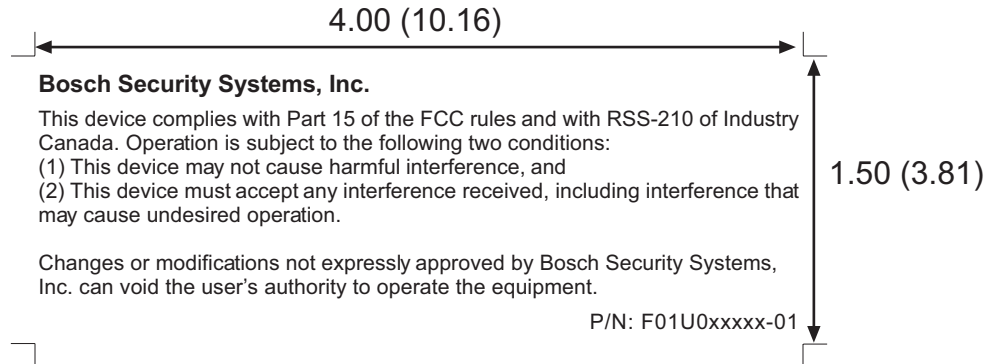
915 MHz (ISW-BIN1-S135Y)

© 2007 Bosch Security Systems, Inc.
F01U011980-01a




Recyclable

| VER | CP# | DATE | REVISION RECORD | DR | AUTH |
|-----|-----|---------|------------------|----|------|
| 01 | X | 8/13/07 | ACCEPTED DRAWING | JF | PP |
| | | | | | |
| | | | | | |
| | | | | | |
| | | | | | |



PROPRIETARY DATA
 DATA CONTAINED HEREIN SHALL NOT BE USED,
 DUPLICATED OR DISCLOSED IN WHOLE OR PART
 OUTSIDE OF BOSCH SECURITY SYSTEMS
 WITHOUT EXPRESSED WRITTEN PERMISSION OF SAME.

| | | | |
|--|-------------------|------------------------|--|
| MATERIAL NO. F01U0xxxxx | | | |
| BOSCH SECURITY SYSTEMS, INC. 130 PERINTON PARKWAY FAIRPORT, NEW YORK, 14450-9199 USA (585) 223 4060 FAX (585) 223 9180 | | |  BOSCH |
| DRAWING TITLE | | | |
| wLSN Regulatory Insert | | | |
| DATE DRAWN: 8/13/07 | | DRAWN BY: J Freiburger | |
| DWG TYPE | DRAWING NUMBER | VERSION | SCALE |
| DRW | F01U0xxxxx | 01b | SHEET 1 OF 1 |