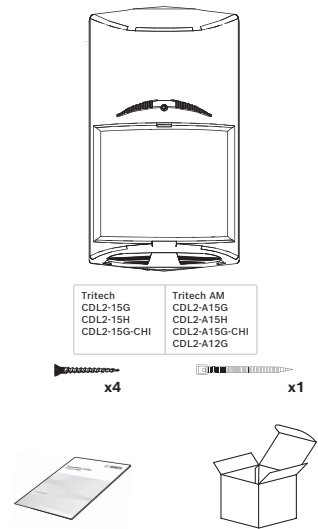
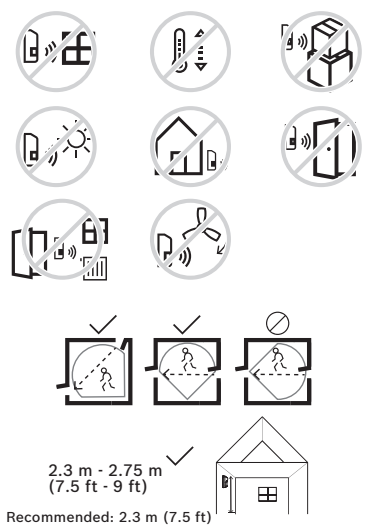


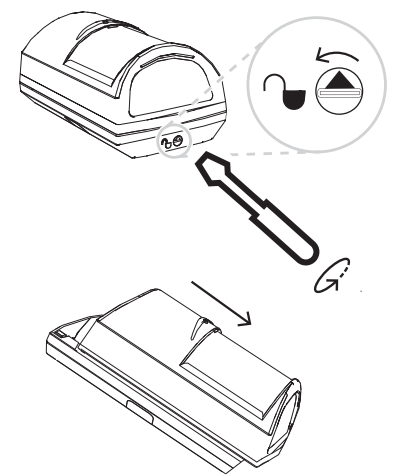
1 |



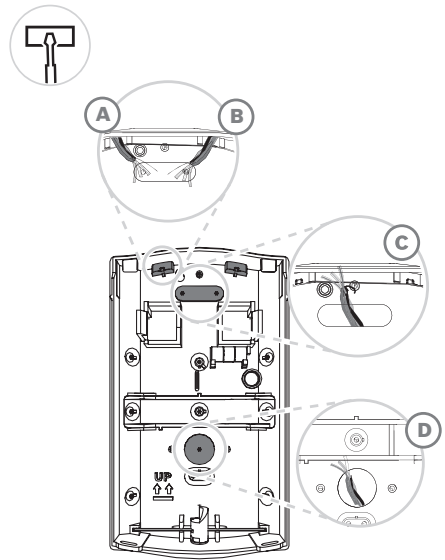
2 |



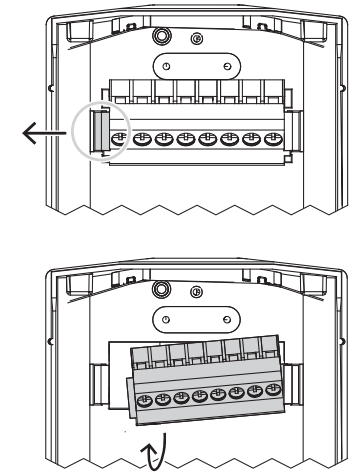
3 |



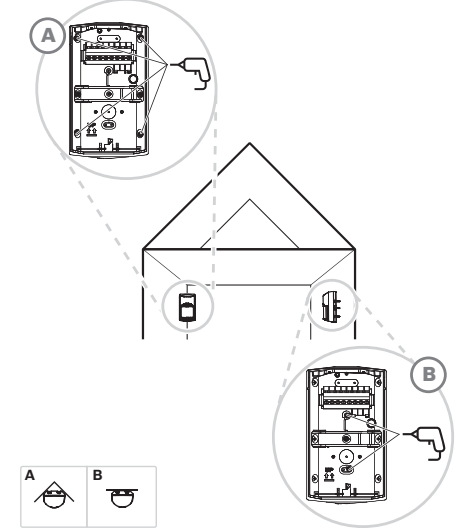
4 |



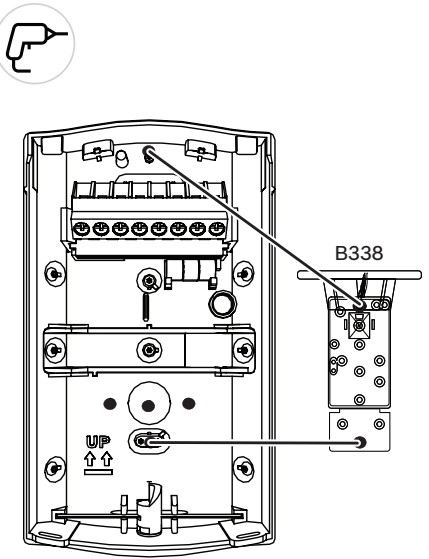
5 |



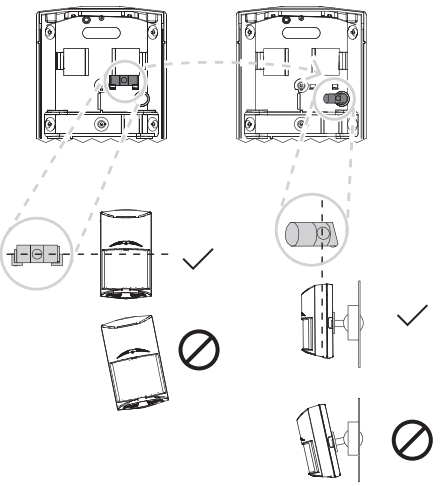
6 |



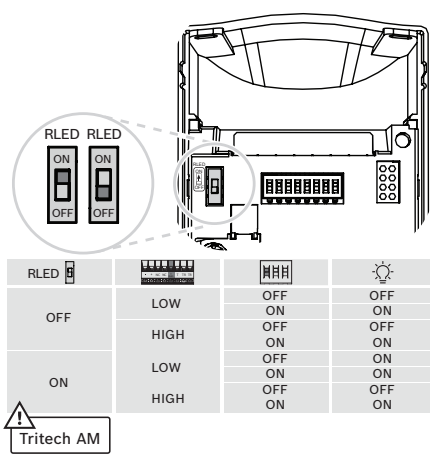
7 |



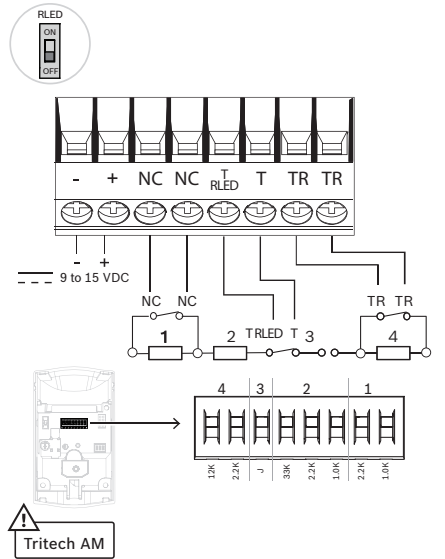
8 |



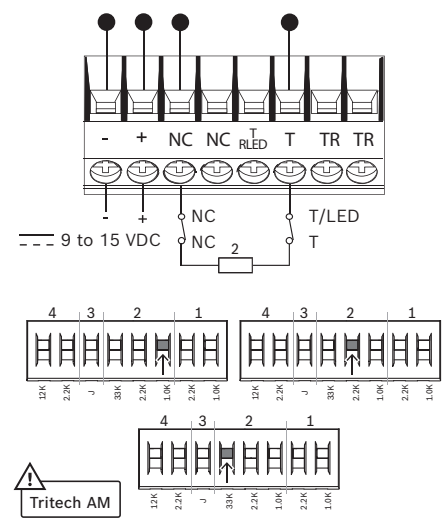
9 |



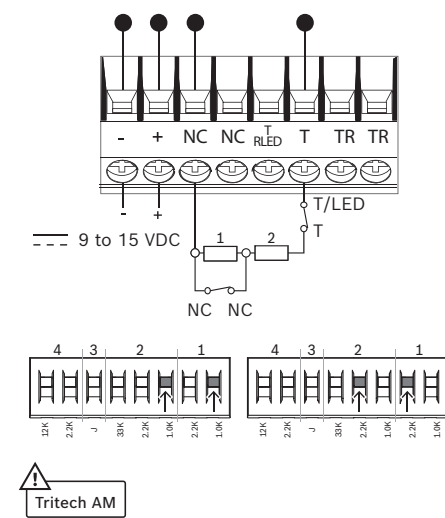
10 |



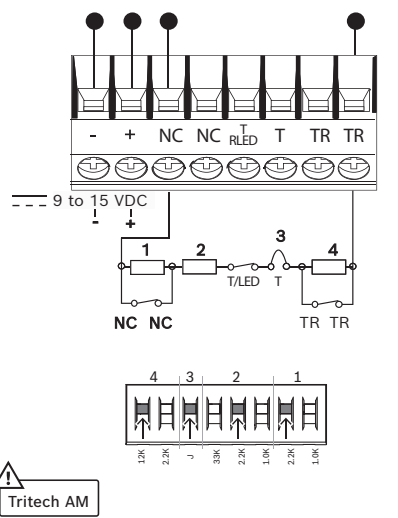
11 |



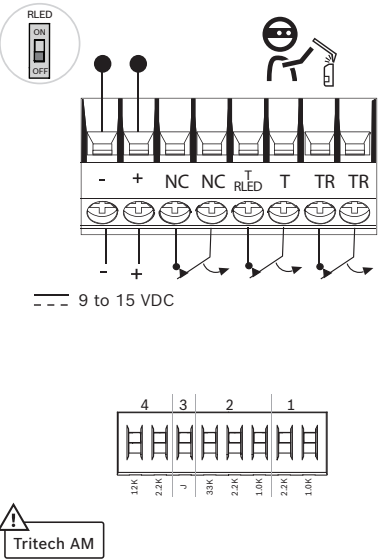
12 |



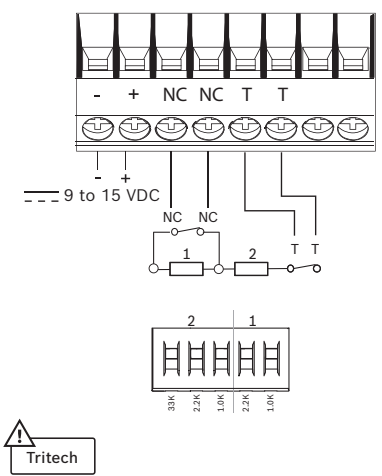
13 |



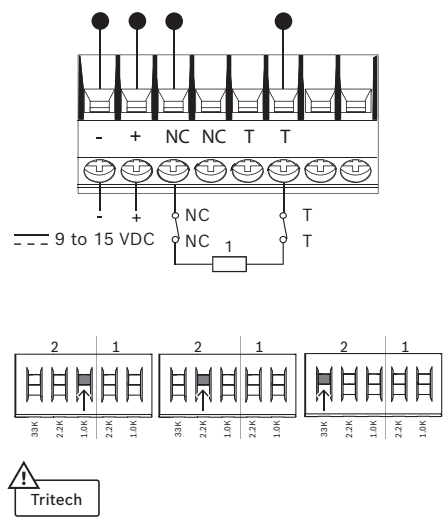
14 |



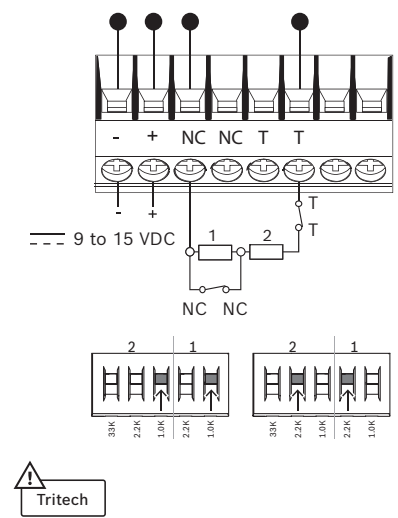
15 |



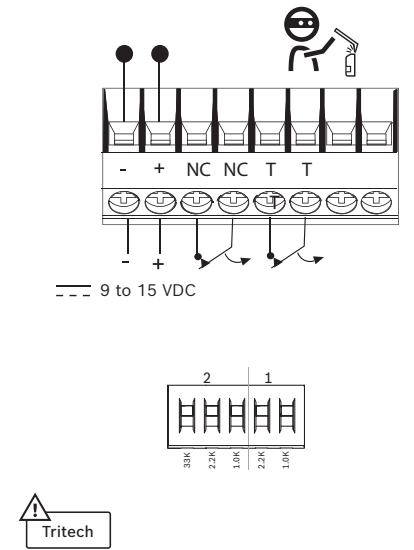
16 |

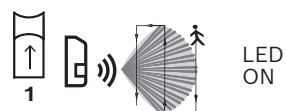


17 |

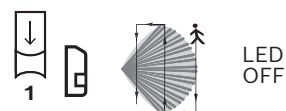


18 |





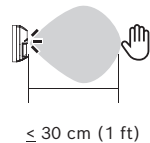
LED ON



LED OFF

2 High
c²DT EN Grade3 [TritechAM]
c²DT EN Grade2 [Tritech]

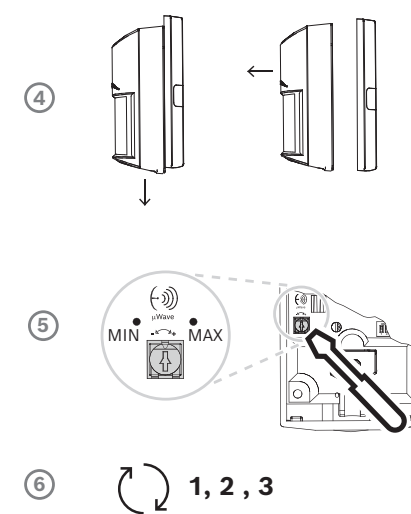
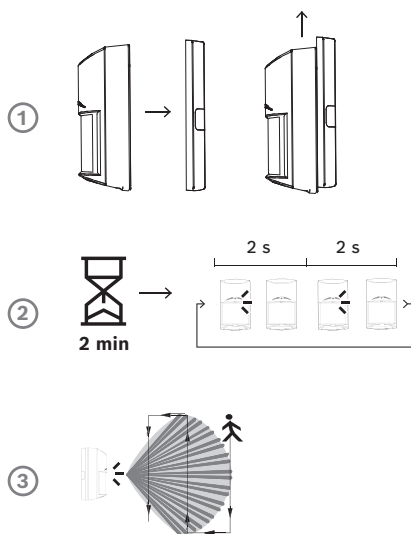
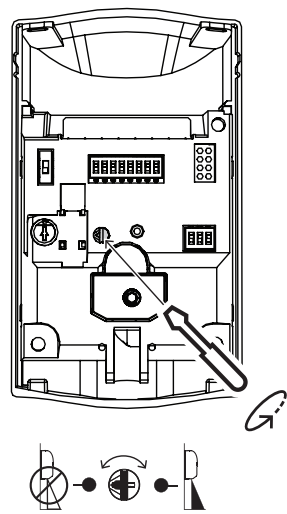
2 Low
c²DT EN Grade2 [TritechAM]



≤ 30 cm (1 ft)

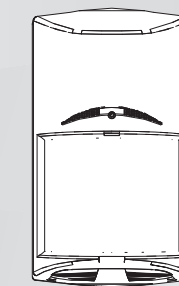
3 EN Grade 3

3 EN Grade 2
Tritech AM



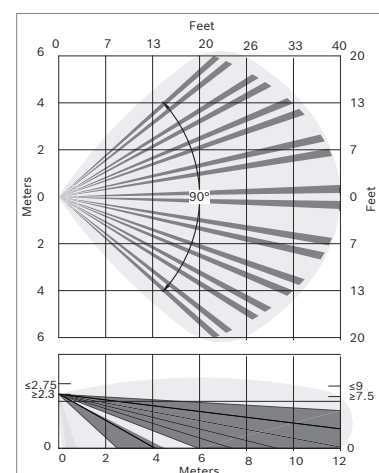
Commercial Series Gen 2

CDL2-15G | CDL2-15H | CDL2-15G-CHI |
CDL2-A15G | CDL2-A15H | CDL2-A12G |
CDL2-A15G-CHI

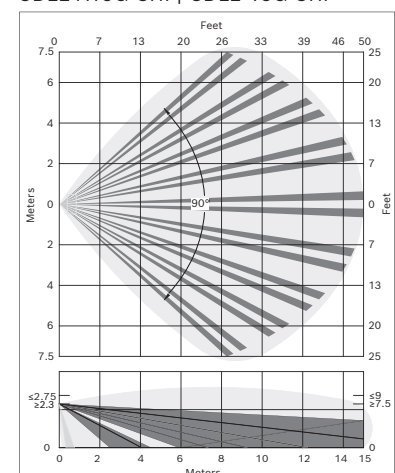


en Quick installation guide

CDL2-A12



CDL2-A15G | CDL2-15G
CDL2-A15H | CDL2-15H
CDL2-A15G-CHI | CDL2-15G-CHI



AT	DK	HU	LV	RU
BE	EE	IE	MT	SE
BG	EL	IS	NL	SI
CH	ES	IT	NO	SK
CY	FI	LI	PL	TR
CZ	FR	LT	PT	UA
DE	HR	LU	RO	UK



10.575 to 10.6 GHz
<20 mW
CDL2-A15H
CDL2-15H

AT	DK	HU	LV	RU
BE	EE	IE	MT	SE
BG	EL	IS	NL	SI
CH	ES	IT	NO	SK
CY	FI	LI	PL	TR
CZ	FR	LT	PT	UA
DE	HR	LU	RO	UK



10.51 to 10.55 GHz
<100 mW
CDL2-A12G
CDL2-A15G
CDL2-A15G-CHI
CDL2-15G
CDL2-15G-CHI

Manufacturing dates

For product manufacturing dates, go to
<http://www.boschsecurity.com/datecodes/>
and refer to the serial number located on the
product label.



Changes or modifications not expressly approved by Bosch Security Systems, Inc. can void the user's authority to operate the equipment.

cU- Perform Walk Test at least once a year.
Lus Use only a Listed Class 2 Power Limited power source. Standby power: The Listed control unit or a listed burglary power supply must provide 4 hours of standby power. Install the unit in accordance with National Electrical Code NFPA 70 and Part 1 of the Canadian Electrical code CSA C22.1.

FCC/ This device complies with part 15 of the
IC FCC Rules and Industry Canada license-exempt RSS standard(s). Operation is subject to the following two conditions: (1) this device may not cause interference, and (2) this device must accept any interference, including interference that may cause undesired operation of the device

Le présent appareil est conforme aux CNR d'Industrie Canada applicables aux appareils radio exempts de licence. L'exploitation est autorisée aux deux conditions suivantes : 1) l'appareil ne doit pas produire de brouillage, et (2) l'utilisateur de l'appareil doit accepter tout brouillage radioélectrique subi, même si le brouillage est susceptible d'en compromettre le fonctionnement.

Bosch Security Systems B.V.
Torenallee 49
5617 BA Eindhoven
Netherlands

www.boschsecurity.com
© Bosch Security Systems B.V., 2021

11-2021 | V02 | F.01U.400.945 | 202111081557

Voltage (operating)	9 to 15 VDC, 9-15 Vcc de 16 mA @ 12 Vcc en veille/en alarme, source limitée en puissance, ondulation résiduelle 1 V.
Current (max)	16 mA
Alarm relay/Tamper/Trouble	<35 mA, 25 V
Wiring loops	Ø 1.29 mm to 0.40 mm (16 AWG to 26 AWG) (UL: 22 AWG to 16 AWG)
	G model = -20 °C - +55 °C (-4 °F to +131 °F) H model = -20 °C - +55 °C (UK = 0 °C - +50 °C) UL/ C-UL: 0 °C to +49 °C (+32 °F to +120 °F)

	0- 95% Relative humidity non-condensing UL / C-UL: 0 - 93%
--	---

Region	Agency	Certification
USA and CA	UL, C-UL	UL639, C-UL S306-03 LISTING Intrusion Detection Unit, Type: S (CDL2-A15G, CDL2-A12G, CDL2-15G)
	FCC	Part 15 Subpart B & C, Class B, FCCID: T3X-CDL2 (CDL2-A15G, CDL2-A12G, CDL2-15G)
	IC	RSS210 1249A-CDL2 (CDL2-A15G, CDL2-A12G, CDL2-15G)

EU	CE	CE - 2014/53/EU (RED), 2011/65/EU and 2015/863 (RoHS) (CDL2-A15G, CDL2-A15H, CDL2-A12G, CDL2-15G, CDL2-15H)
	EN	NF & A2P EN 50131-2-4 Grade 3 (CDL2-A15G, CDL2-A15H, CDL2-A12G) NF & A2P EN 50131-2-4 Grade 2 (CDL2-15G, CDL2-15H) EN 50130-5, Environmental Class II (CDL2-A15G, CDL2-A15H, CDL2-A12G, CDL2-15G, CDL2-15H) EN60529, EN62262: IP41 / IK04
CN	CCC	2015031901000145 (CDL2-A15G-CHI, CDL2-15G-CHI)

FR	AFNOR & CNPP	EN50131-2-4 Grade 3, NF324-H58 + RTC 50131-2-4 CDL2-A15H - Certificate # 2830200012 NF (AFNOR): www.marque-nf.com , A2P (CNPP): www.cnpp.com Autosurveillance à l'ouverture Immunité champ magnétique. Test sans masque de vision vertical et sans immunité aux animaux

FR	AFNOR & CNPP	EN50131-2-4 Grade 2, NF324-H58 + RTC 50131-2-4 CDL2-15H Certificate # 2830200012 NF (AFNOR): www.marque-nf.com , A2P (CNPP): www.cnpp.com Autosurveillance à l'ouverture Immunité champ magnétique. Test sans masque de vision vertical et sans immunité aux animaux
AU	ACMA	RCM (CDL2-A15G, CDL2-15G)
BR	ANA-TEL	Resolution No. 242 (CDL2-A15G, CDL2-A12G, CDL2-15G)