

GulfStream\_BLUESHARK

GulfStream\_BLUESHARK-CSI-2012-1.0-D

Centralite Systems, Inc.

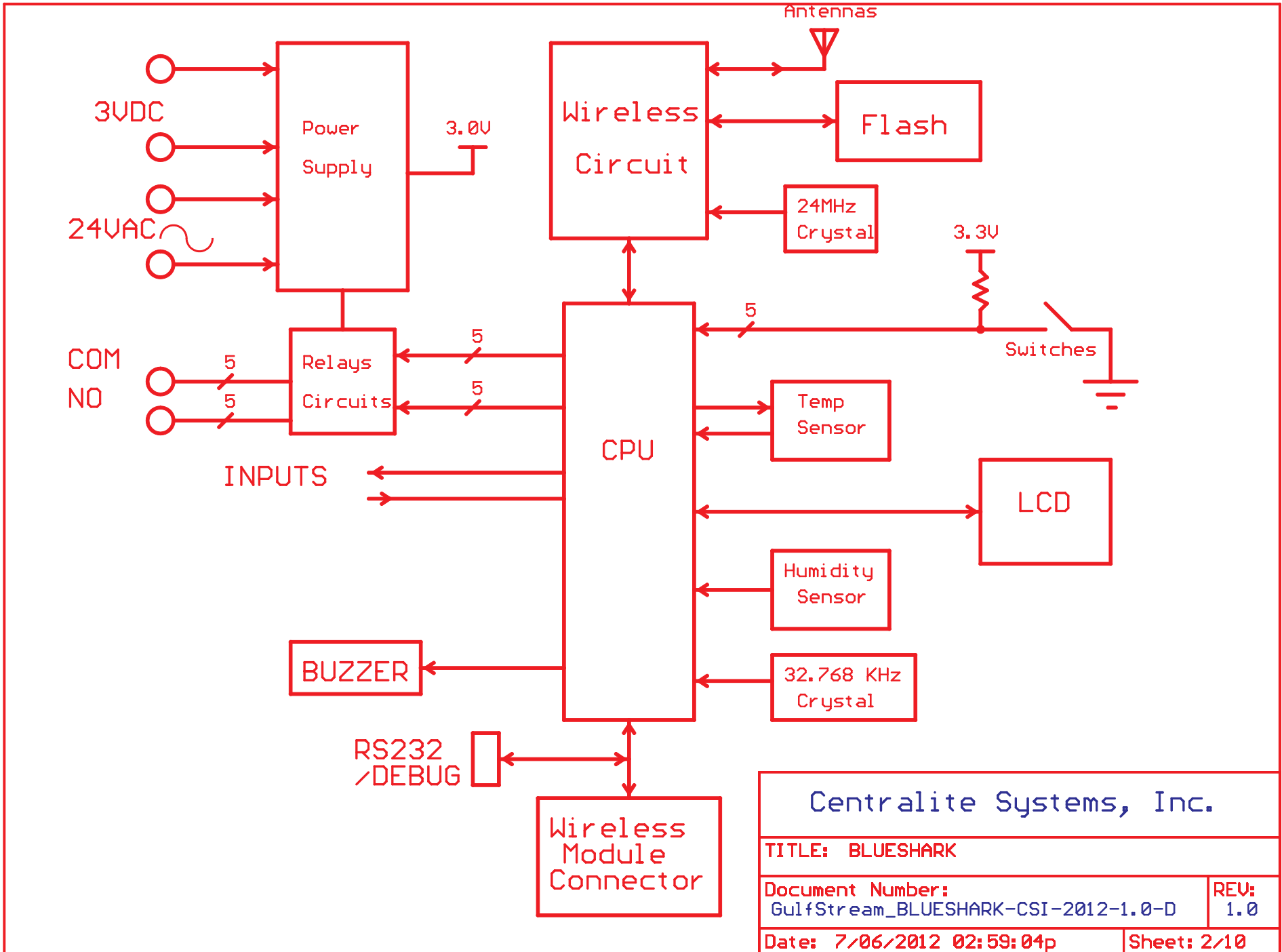
TITLE: BLUESHARK

Document Number:  
GulfStream\_BLUESHARK-CSI-2012-1.0-D

REV:  
1.0

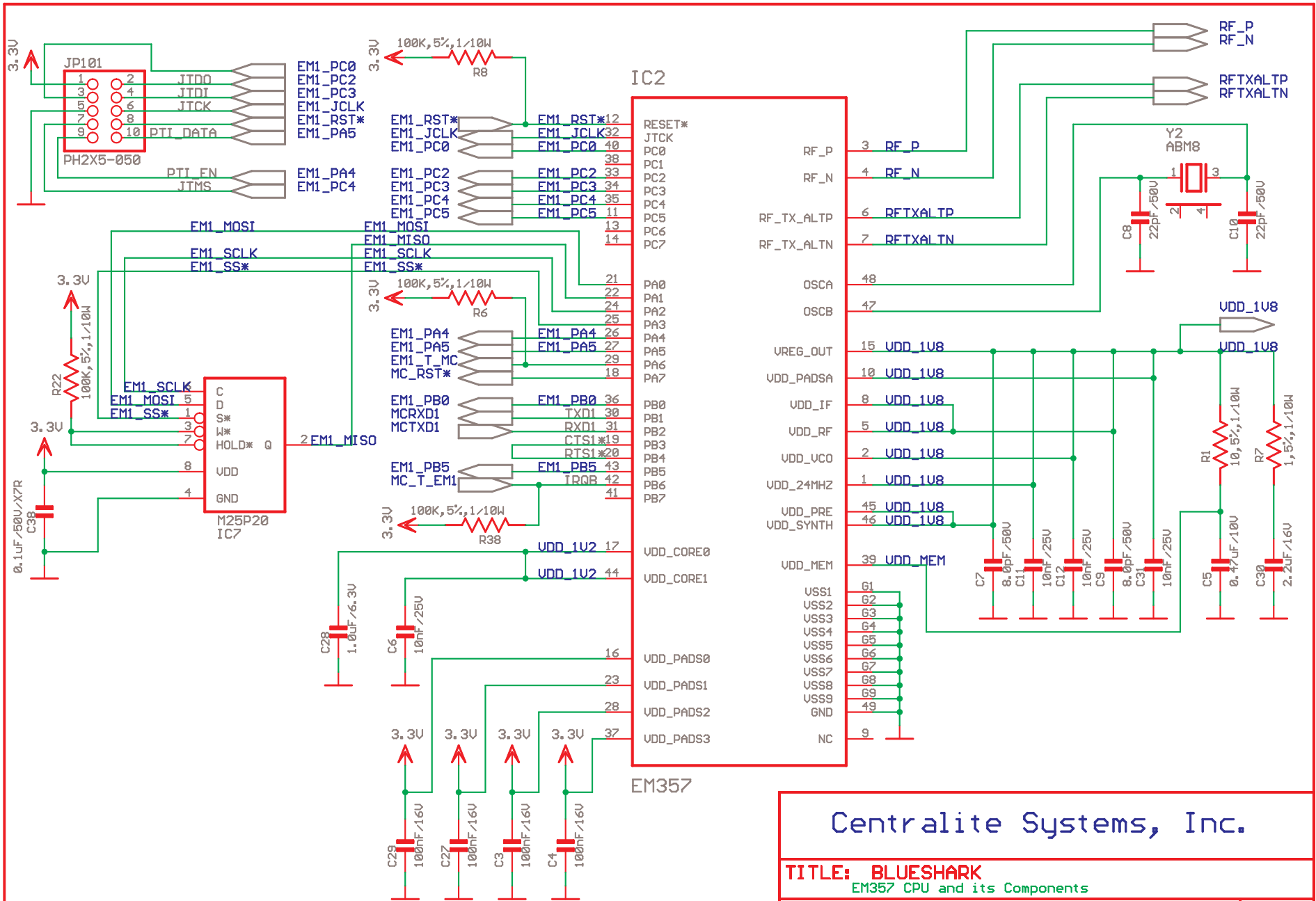
Date: 7/06/2012 02:59:04p

Sheet: 1/10



Centralite Systems, Inc.

TITLE: BLUESHARK	
Document Number: GulfStream_BLUESHARK-CSI-2012-1.0-D	REV: 1.0
Date: 7/06/2012 02:59:04p	Sheet: 2/10

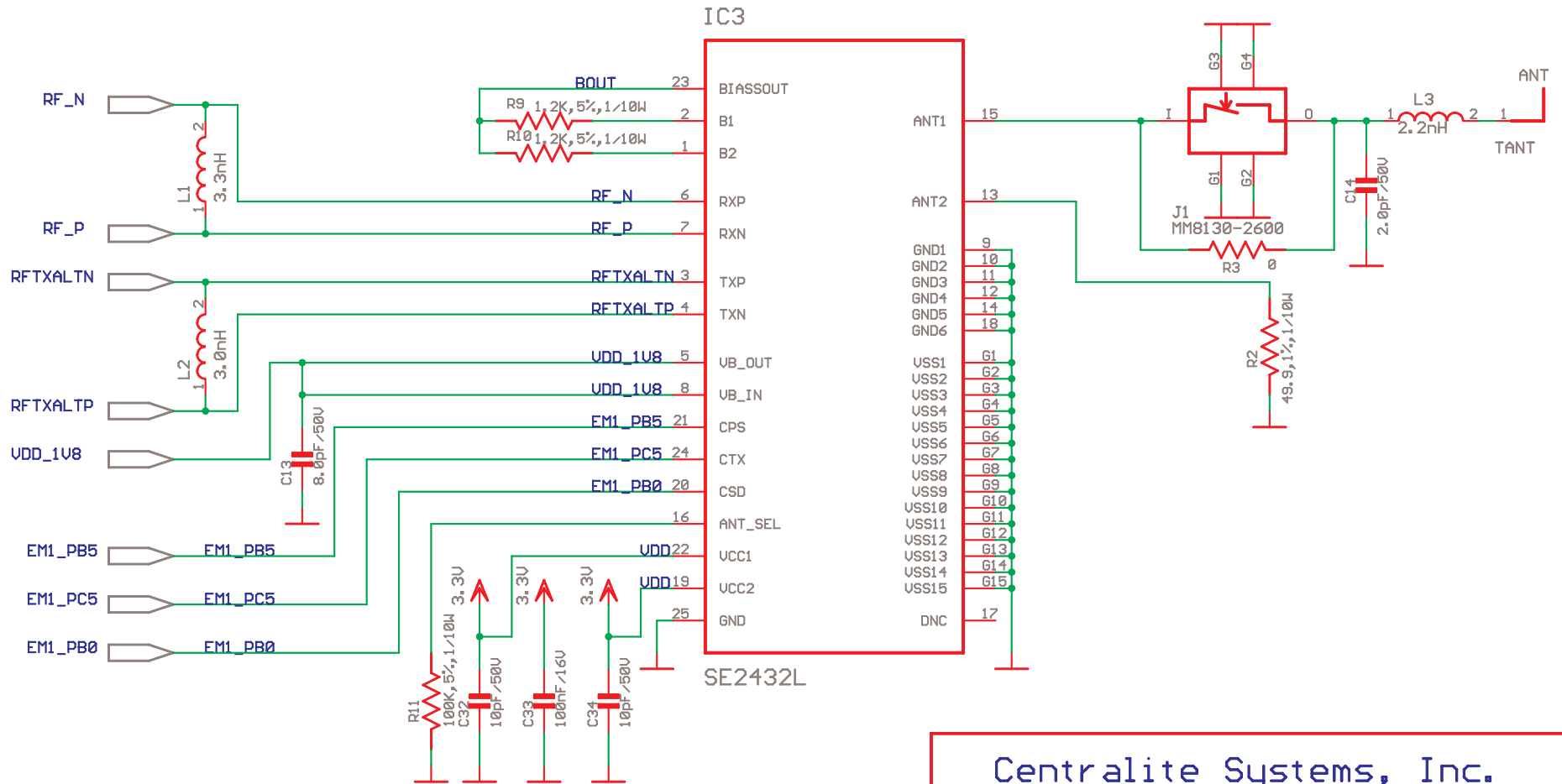


**Centralite Systems, Inc.**

**TITLE:** BLUESHARK  
EM357 CPU and its Components

<b>Document Number:</b> GulfStream_BLUESHARK-CSI-2012-1.0-D	<b>REV:</b> 1.0
<b>Date:</b> 7/06/2012 02:59:04p	<b>Sheet:</b> 3/10

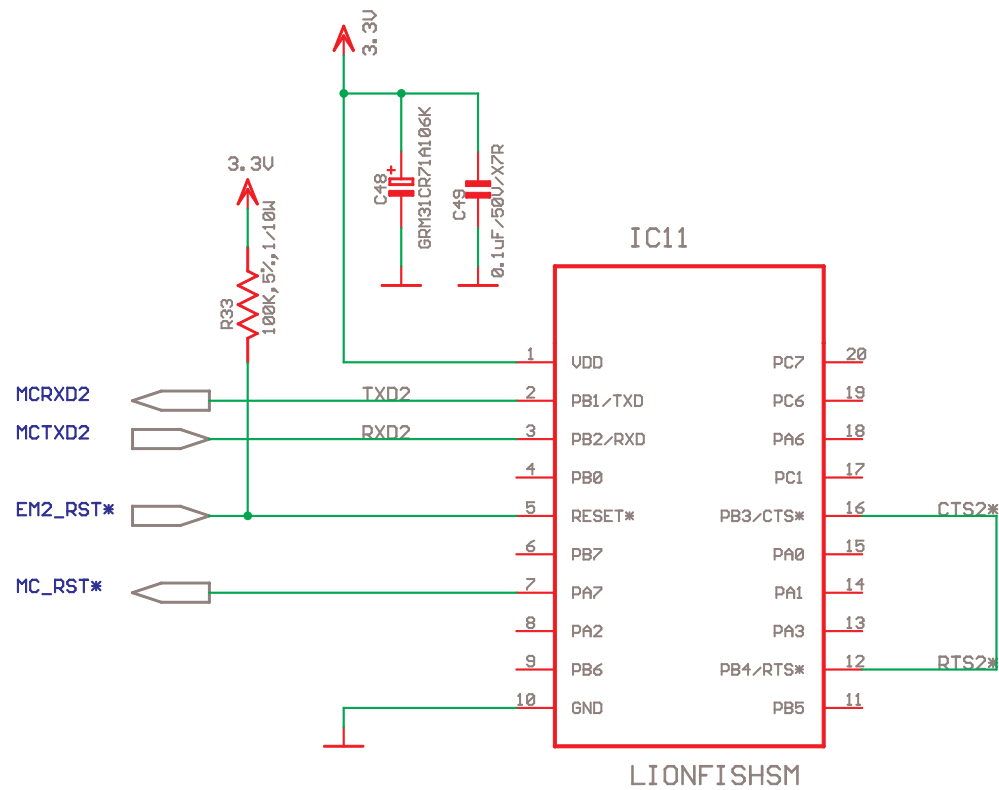
Note that matching circuits values are tuned as shown.  
 Note that in production versions:  
 J1 IS not populated, but R3 IS populated



**Centralite Systems, Inc.**

**TITLE: BLUESHARK**  
 Sige Fron End Module and Antenna

<b>Document Number:</b> GulfStream_BLUESHARK-CSI-2012-1.0-D	<b>REV:</b> 1.0
<b>Date:</b> 7/06/2012 02:59:04p	<b>Sheet:</b> 4/10



Centralite Systems, Inc.

**TITLE: BLUESHARK**  
Second RF Module (LIONFISH)

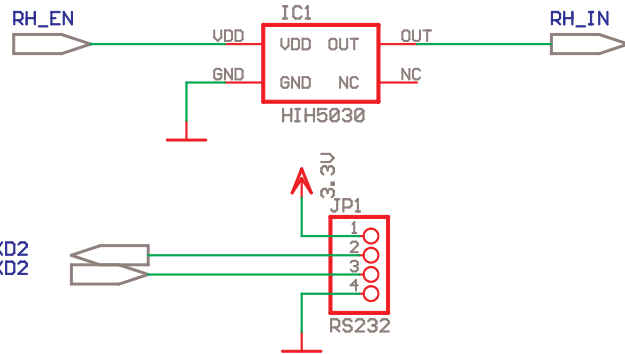
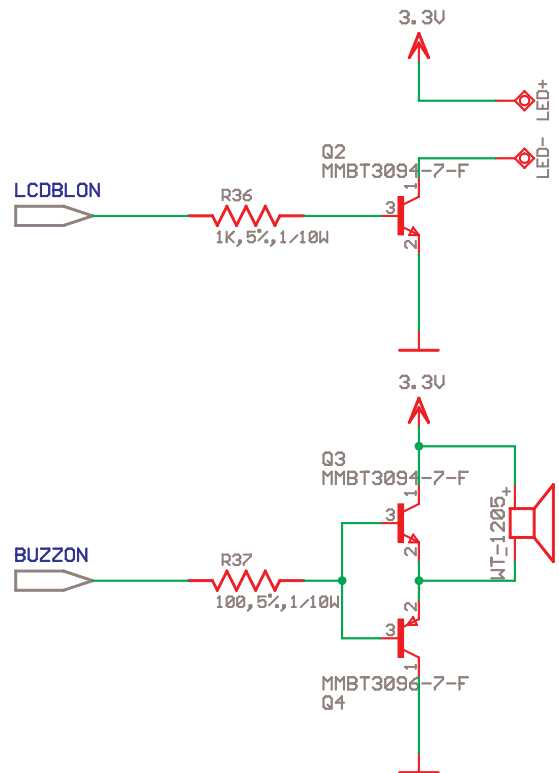
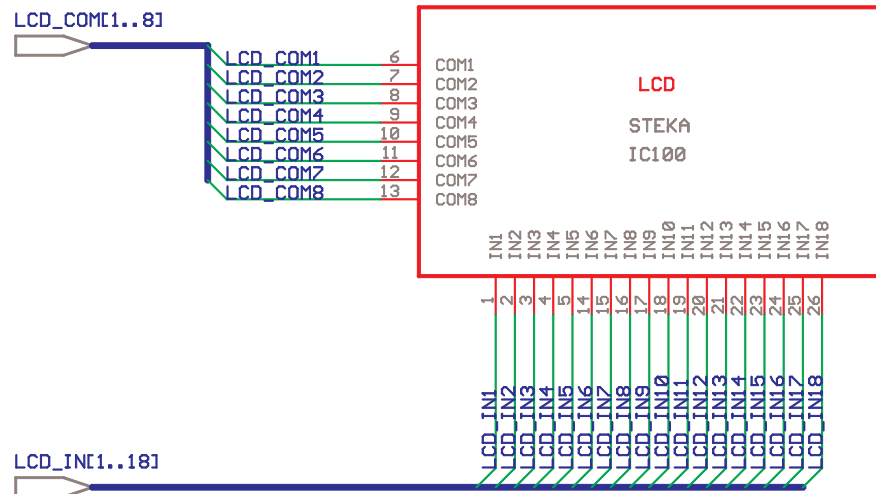
**Document Number:**  
GulfStream\_BLUESHARK-CSI-2012-1.0-D

**REV:**  
1.0

**Date:** 7/06/2012 02:59:04p

**Sheet:** 5/10



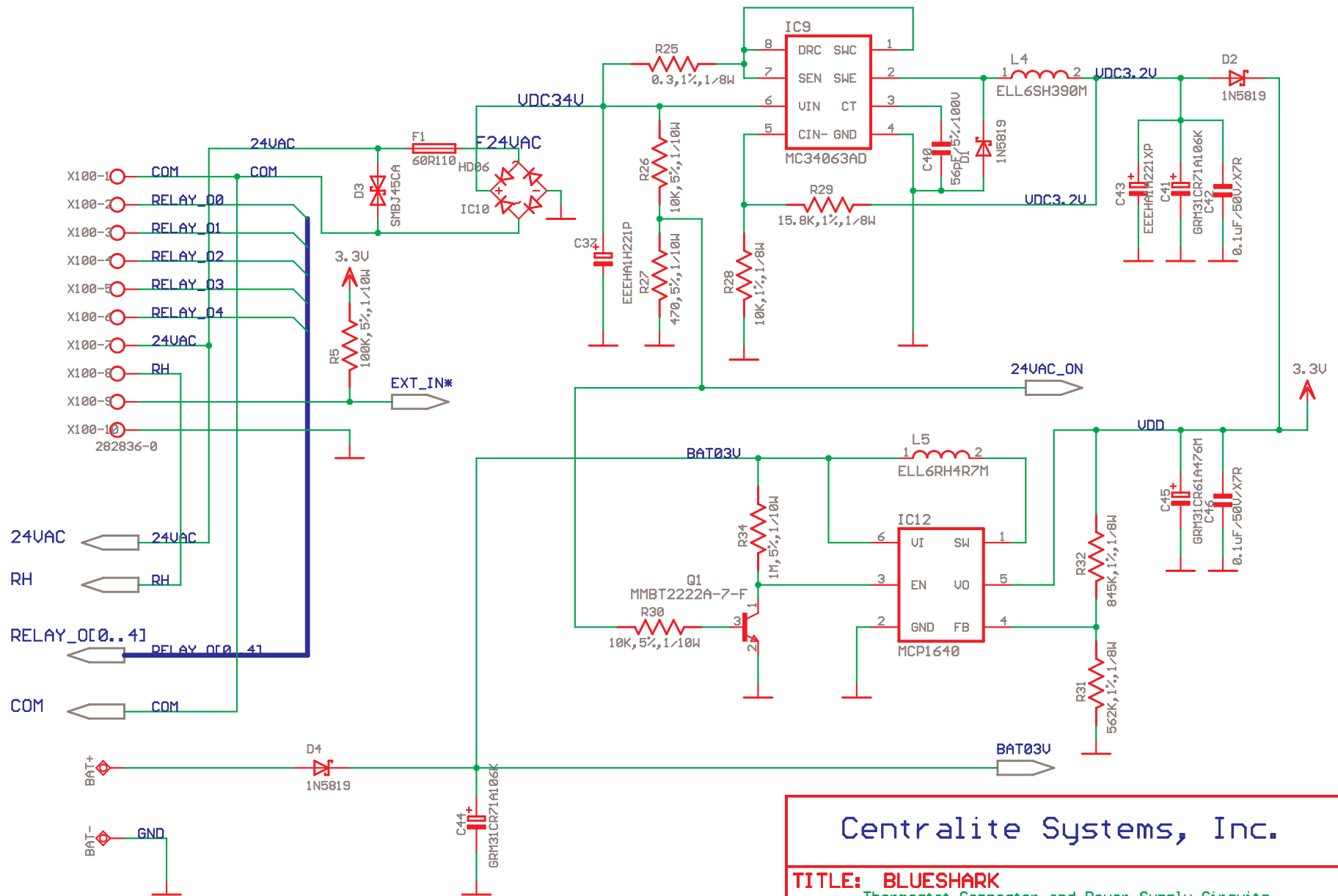


Centralite Systems, Inc.

**TITLE: BLUESHARK**  
LCD Module, I2C Serial EEPROMs, Buzzer and HR Sensor

**Document Number:** GulfStream\_BLUESHARK-CSI-2012-1.0-D **REV:** 1.0

**Date:** 7/06/2012 02:59:04p **Sheet:** 7/10



Centralite Systems, Inc.

**TITLE:** BLUESHARK

Thermostat Connector and Power Supply Circuits

**Document Number:**

GulfStream\_BLUESHARK-CSI-2012-1.0-D

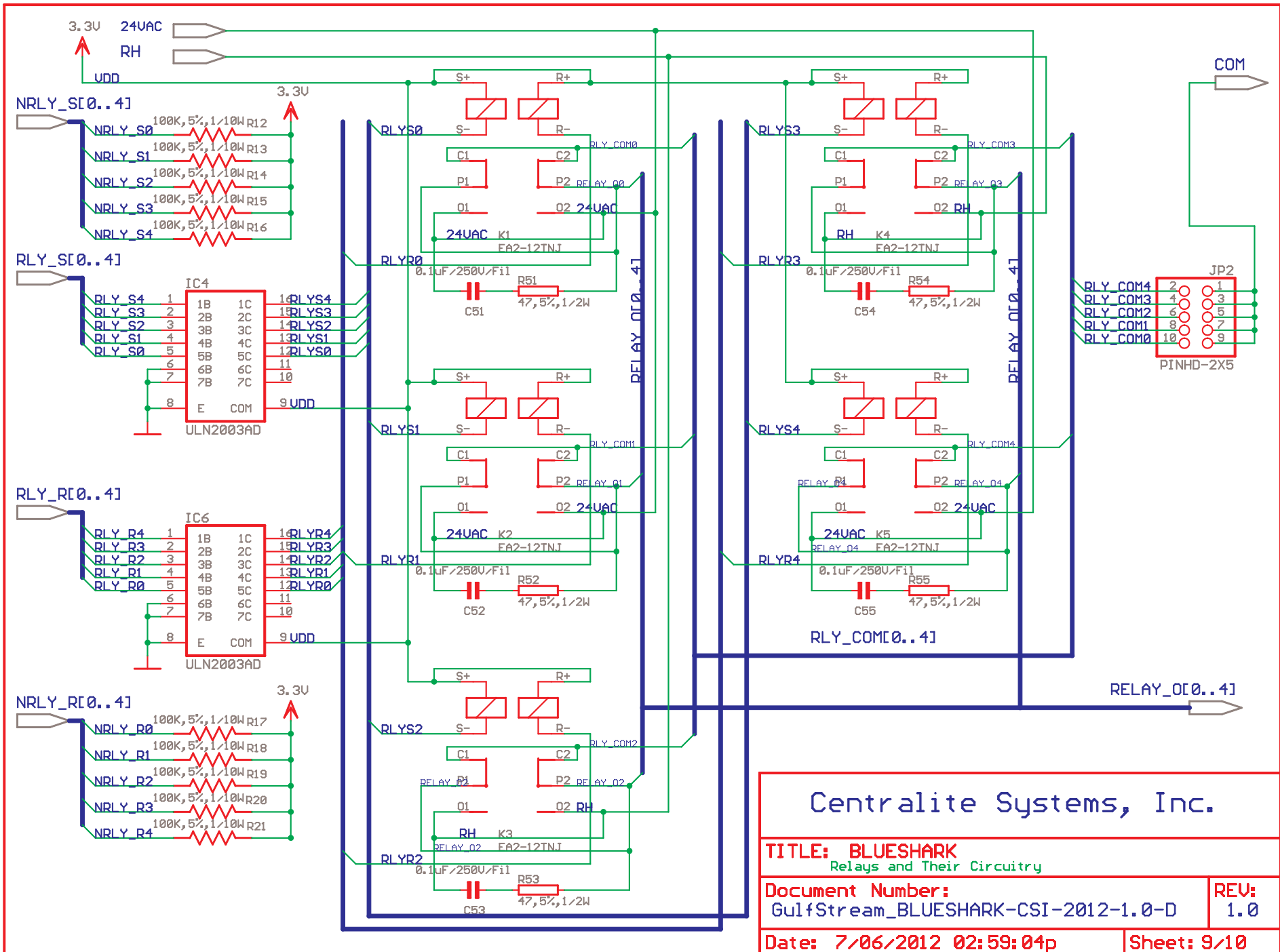
**REV:**

1.0

**Date:** 7/06/2012 02:59:04p

**Sheet:** 8/10





# Centralite Systems, Inc.

<b>TITLE:</b> BLUESHARK Relays and Their Circuitry	
<b>Document Number:</b> GulfStream_BLUESHARK-CSI-2012-1.0-D	<b>REV:</b> 1.0
<b>Date:</b> 7/06/2012 02:59:04p	<b>Sheet:</b> 9/10

NRLY\_S[0..4]

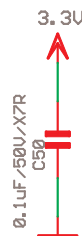
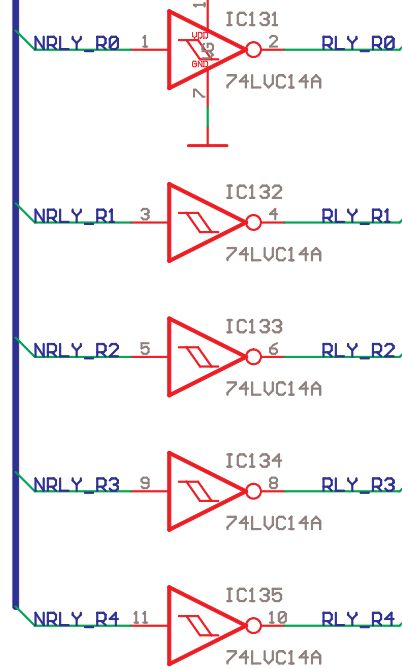
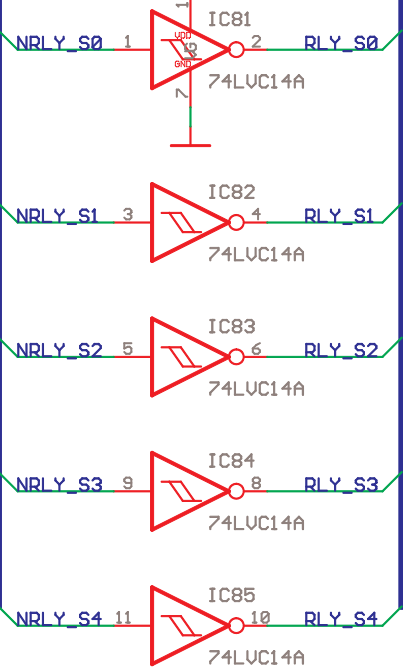
3.3U

RLY\_S[0..4]

NRLY\_R[0..4]

3.3U

RLY\_R[0..4]



Centralite Systems, Inc.

TITLE: BLUESHARK  
Relays and Their Circuitry

Document Number:  
GulfStream\_BLUESHARK-CSI-2012-1.0-D

REV:  
1.0

Date: 7/06/2012 02:59:04p

Sheet: 10/10