



Thermostat Installation Guide

Supported Model
Centralite Thermostat
3155100

Specifications and Supported Loads

The Centralite thermostat can operate standalone but is best used when part of the Centralite Energy Management System. This product is intended for remote control by the Centralite Energy Management System.

Power: 24 VAC Class 2 Power Supply

Communications

2.4 GHz, 16 channel spread spectrum radio frequency

Electrical Ratings

All relay outputs are rated for up to 1 AMP

Wiring Specifications

18- to 22-gauge thermostat wire

Thermostat Installation

1. Detach thermostat backplate from thermostat.
2. Backplate can be mounted using drywall/plaster wall anchors or attached to a wall mounted back box.
3. Before anchoring backplate to the wall bring , pull wires through the hole in the center of backplate.
4. Place backplate over wall anchors and insert and tighten mounting screws.
5. Attach wires appropriate to the diagram on the back of this sheet.
6. To mount the thermostat to the backplate, align the 4 mounting tabs and press gently until the thermostat snaps into place.



Caution! Using this product in any manner other than outlined in this document voids your warranty. Centralite is not responsible for any damage incurred as a result of misuse or abuse of this product. For more details see the "Limited 5 Year Warranty"

WARNING!
Must be installed by a
trained, experienced techni-
cian.

24 Hour Technical Support

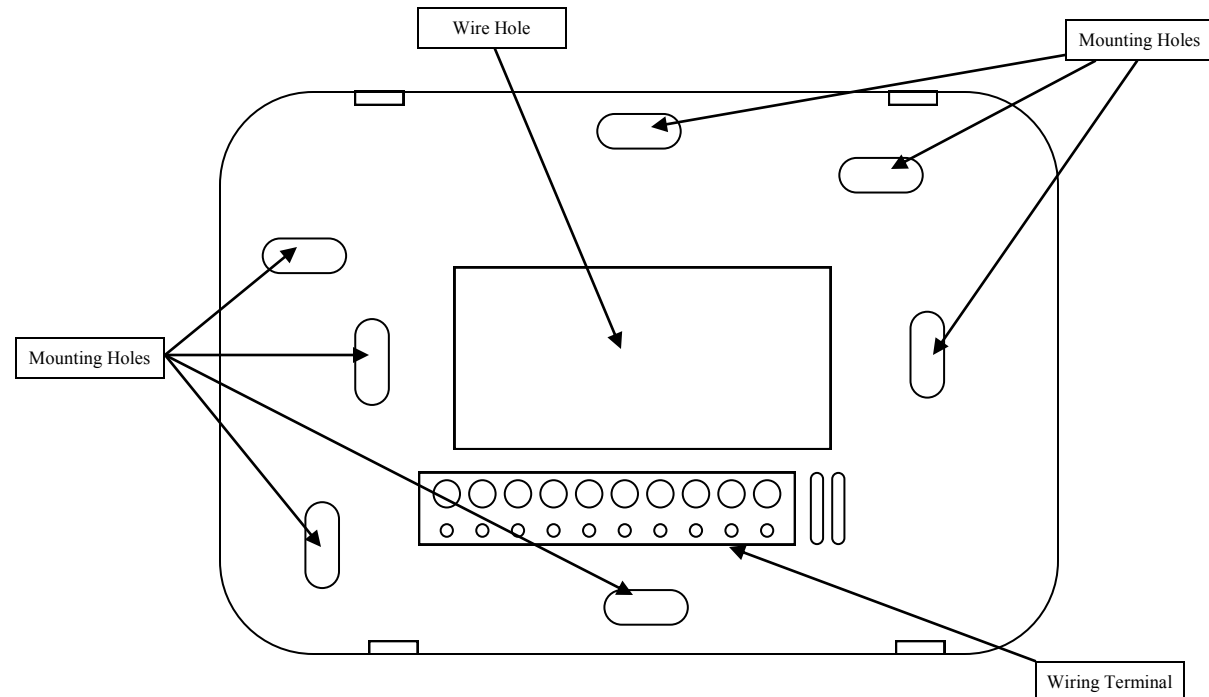
If you have questions about the installation of the Centralite thermostat please call Centralite technical support toll free at:

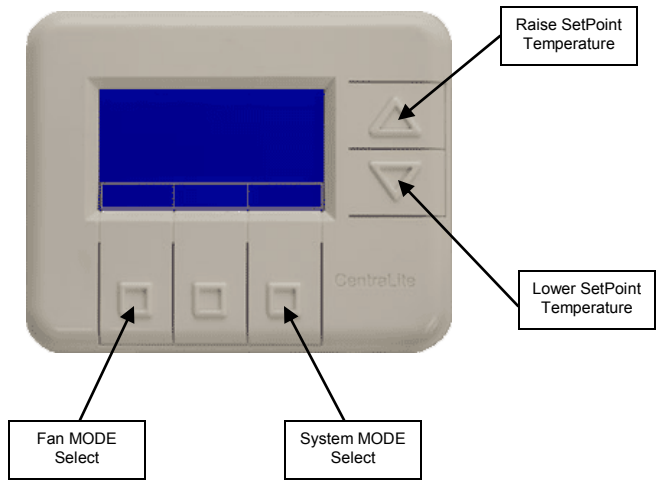
1-877-466-5483

Or visit the online helpdesk at:

www.centralite.com/helpdesk

Centralite Systems, Inc.
6420 Wall Street
Mobile, AL 36695
(877) 466- 5483
Fax: (251) 607-9119





User Instructions

1. The UP and DOWN buttons are used to adjust the SetPoint temperature of the thermostat.
2. The lower right button is used to change the thermostat system MODE. The MODE can be set to AUTO or OFF.
3. The lower left button is used to change the FAN setting. The FAN setting can be set to AUTO or ON.

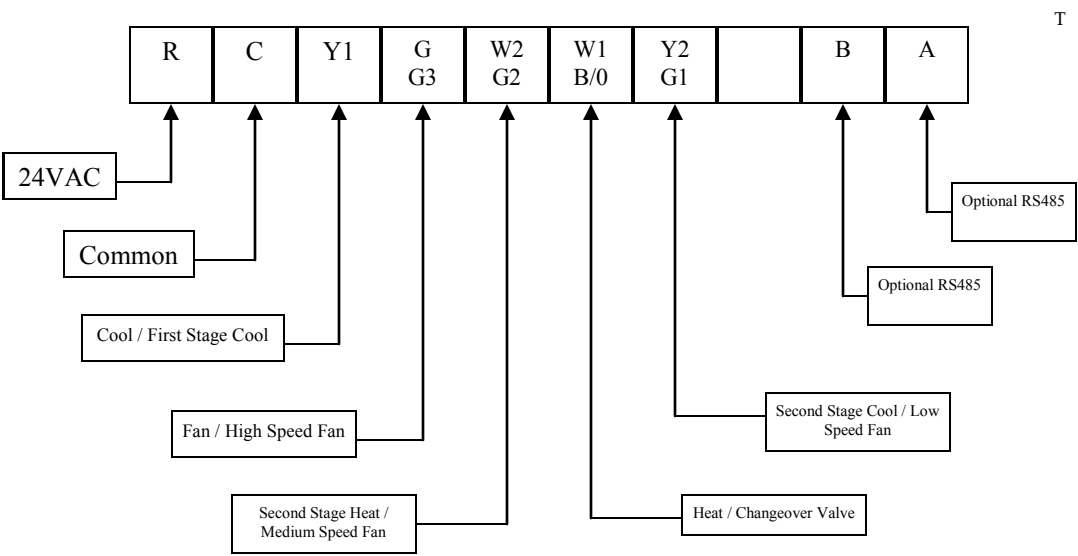
Limited Warranty

This limited warranty is extended by Centralite Systems, Inc. (Centralite) to the original end-user of the accompanying Centralite product and is transferable upon Centralite receiving original end-user warranty card information and upon Centralite receiving new end user warranty information within 30 days from date of property transfer. This limited warranty provides 100% parts coverage for defects in materials and workmanship for the product under normal use and service for a period of two (2) years from system start-up. Start-up is defined as the date in which the system is activated by an Certified Centralite Installer.

The limited warranty period is two (2) years from the original date of system start-up and there shall be no explicit or implied warranty after the expiration of the warranty period. The five year limited Warranty includes repair or replacement of defective parts. In all cases, at the option of Centralite, serviceable used parts that are equivalent to new parts in performance may be supplied to replace defective parts. All exchanged parts and products replaced under this warranty will become the property of Centralite. All replaced parts and products are covered for the duration of the original warranty period.

This Limited Warranty does not extend to any Centralite product not purchased from Centralite, an Authorized Centralite Dealer or Authorized Centralite Distributor. This Limited Warranty also does not extend to any product that has been damaged or rendered defective: (a) as a result of accident, misuse, or abuse; (b) by operation outside the usage parameters stated in the Product's User's Guide; (c) by the use of parts not manufactured or sold by Centralite; (d) by modification of the Product, or (e) as a result of service by anyone other than Centralite, or an Certified Centralite Installer. This Limited Warranty is valid only within the country in which the Hardware Product was purchased.

Centralite is not responsible for failure of the product, which results from accident, abuse, misapplication, or alteration of the product, and Centralite assumes no liability as to consequence of such events under the terms of this warranty. Incidental and consequential damages caused by malfunction, default, or otherwise with respect to the breach of this warranty are not the responsibility of Centralite.



FCC Information



FCC ID: T3L-TS001

This device complies with part 15 of the FCC rules. Operation is subject to the following two conditions: (1) This device may not cause harmful interference, and (2) this device must accept any interference received, including interference that may cause undesired operation.

The user that changes or modifications not expressly approved by the party responsible for compliance could void the user's authority to operate the equipment.

