

COMPANY:			
TITLE:		Jupiter	
DRAWING NO:	1156011	REV:	A
DATE:	10/1/14	DRAWN:	Nick Thomas
		SHEET:	2 of 3

8 | 7 | 6 | 5 | 4 | 3 | 2 | 1

E

D

C

B

A

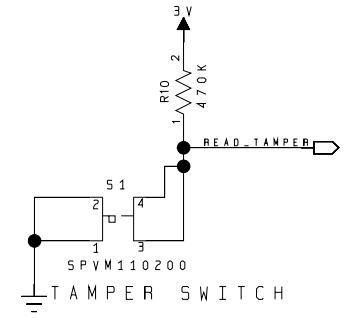
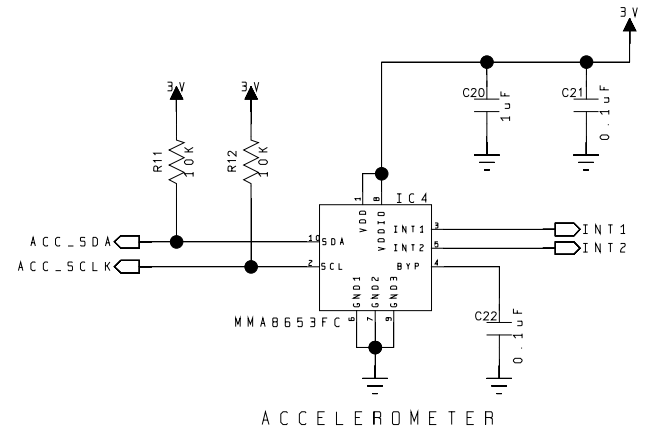
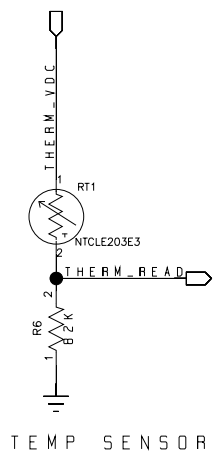
E

D

C

B

A



COMPANY:			
TITLE:		Jupiter	
DRAWING NO:	1156011	REV:	A
DATE:	10/1/14	DRAWN:	Nick Thomas
		SHEET:	2 of 3