

Product Data Sheet

IRIS Smart Button

3460-L

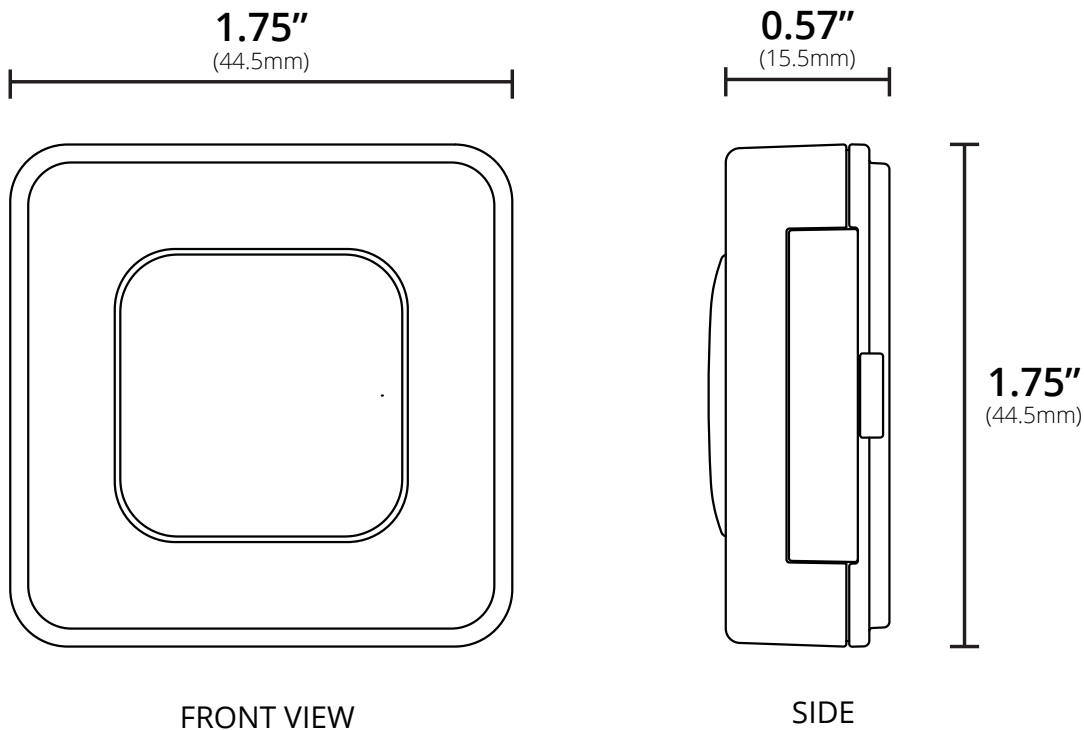


Last Updated: May 2015

Product Overview

The Iris Smart Button can be customized to trigger events, scenes, or notifications in your connected home system. Less than two inches wide, the Smart Button can be installed on nearly any surface with adhesive or screws. Use the Smart Button to control LED lights, without the need for wiring. The Smart Button fully supports ZigBee HA 1.2, giving it a wide range of compatible platforms and unlimited options for connected home control.

Dimensions



In the Box:

- | | |
|------------------------|--------------------------------------|
| 1x - Iris Smart Button | 1x - CR-2450 Battery (pre-installed) |
| 1x - Mounting Bracket | 1x - Quick Start Guide |
| 1x - Mounting Adhesive | |

Key Features:

- Easy-to-install mounting plate, or use with included adhesive tape.
- Built-in temperature sensor.
- Easy compatibility with other manufacturers' ZigBee HA 1.2 devices.
- Pull-to-pair joining process.
- Over-the-air firmware updates.

Use Cases

- Control smart bulbs from anywhere in the home.
- Trigger “welcome” or “goodbye” scenes.
- Arm your security system with ease.
- Automate lights, fans, and blinds

Control smart bulbs from anywhere in the home.

The Smart Button can be configured to control smart LED bulbs, giving users options to add a light switch nearly anywhere without the need for wiring. Place the Smart Button on your bedside table to trigger “goodnight” scenes or arm you security system.

Arm your security system.

Quickly arm your security system without wasting time when leaving your home with the Iris Smart Button.

Automate lights, fans, and blinds in rooms

Place a Iris Smart Button on a side table to trigger lights and fans to automatically turn on and off.

Trigger “welcome” or “goodbye” scenes.

Your house can now welcome you home as you return from work and conserve energy while you’re away. Use the Iris Smart Button in the morning by having it put thermostats in deep setback and turning off unnecessary lighting.

Special Features

Easy Mounting Options

The Iris Smart Button can be installed using either adhesive strips or mounting screws (both included). The easy-to-install mounting plate attaches with a single screw and the sensor simply slides into place on the mount.

Pull-to-Pair Join Process

All Iris sensors feature “pull-to-pair” joining. The device ships with the battery pre-installed and all that is needed to begin the joining process is to pull out a small plastic tab from the bottom of the device. There is nothing for the user to take apart or put back together.

ZigBee Home Automation 1.2 Compatibility

The Iris Smart Button is fully ZigBee HA 1.2 certified and is guaranteed to function with all open, ZigBee HA 1.2-certified hubs and devices.

Superior Range and Updatability

The Iris Smart Button supports over-the-air updates providing for seamless upgrades and feature additions without the need for any user interaction.

Getting Started

Step 1: Open ZigBee Network for Joining

Using your controller or hub’s interface, enable the ZigBee network for joining.

Step 2: Pull Tab from Side of Sensor

Pull the small plastic tab out from the side of the sensor and it will immediately begin searching for a network to join.

Step 2: Finish Joining at Hub (optional)

Some hubs and controllers require additional steps such as naming or categorizing the device.

Troubleshooting

Step 1: Remove and Replace Battery from Device

Open the battery tray on the side of the device. Remove battery and replace with a new CR-2450 battery. Reassemble and test operation.

Step 2: Factory Reset and Rejoin

Remove battery. While holding down the main button, reinsert battery to factory reset the device. Repeat the “Getting Started” steps to rejoin the ZigBee network.

Compatibility

The Iris Smart Button features out-of-the-box compatibility with the Lowe’s IRIS Hub and any ZigBee HA 1.2-certified hub, controller, bridge, or platform.

Technical Specifications

Power

Rated: 3V
Battery: CR-2450 (1x)
Battery Life: Up to 2 years

Environmental

Operating Temperature: 0° to 40°C

Shipping / Storage

Temperature: -20° to 50°C
Humidity Range: 0 to 90% RH.
(non-condensing)

Approvals:  

Wireless RF

Protocol: ZigBee HA 1.2
TX Strength: +3 dBm
RF Channels: 16
Range: 130 ft. (40m) LOS

Approvals

This device complies with Part 15 of the FCC rules. Operation is subject to the following two conditions:

- (1) This device may not cause harmful interference and
- (2) This device must accept any interference received, including interference that may cause undesired operation.



Conforms to FCC Part 15B

FCC ID: T3L-SS012

IC: 12192A-SS012



Industry Canada licence-exempt RSS Standards. Operation is subject to the following two conditions: (1) This device may not cause harmful interference, and (2) This device must accept any interference received, including interference that may cause undesired operation.

Under Industry Canada regulations, this radio transmitter may only operate using an antenna of a type and maximum (or lesser) gain approved for the transmitter by Industry Canada. To reduce potential radio interference to other users, the antenna type and its gain should be so chosen that the equivalent isotropically radiated power (e.i.r.p.) is not more than that necessary for successful communication.

This equipment complies with FCC and IC radiation exposure limits set forth for an uncontrolled environment. This equipment is in direct contact with the body of the user under normal operating conditions. This transmitter must not be co-located or operating in conjunction with any other antenna or transmitter.

Changes or modifications not expressly approved by CentraLite Systems, Inc. could void the user's authority to operate the equipment.

Le présent appareil est conforme aux CNR d'Industrie Canada applicables aux appareils radio exempts de licence. L'exploitation est autorisée aux deux conditions suivantes: (1) l'appareil ne doit pas produire de brouillage, et (2) l'utilisateur de l'appareil doit accepter tout brouillage radioélectrique subi, même si le brouillage est susceptible d'en compromettre le fonctionnement.

Conformément à la réglementation d'Industrie Canada, le présent émetteur radio peut fonctionner avec une antenne d'un type et d'un gain maximal (ou inférieur) approuvé pour l'émetteur par Industrie Canada. Dans le but de réduire les risques de brouillage radioélectrique à l'intention des autres utilisateurs, il faut choisir le type d'antenne et son gain de sorte que la puissance isotrope rayonnée équivalente (p.i.r.e.) ne dépasse pas l'intensité nécessaire à l'établissement d'une communication satisfaisante.

Notice: Any content, factual information, or specifications containing errors in this document are solely inadvertent and will be corrected upon discovery. Specifications for unreleased/planned products are subject to change.