

## Product Data Sheet

# IRIS Emergency Pendant

3455-L

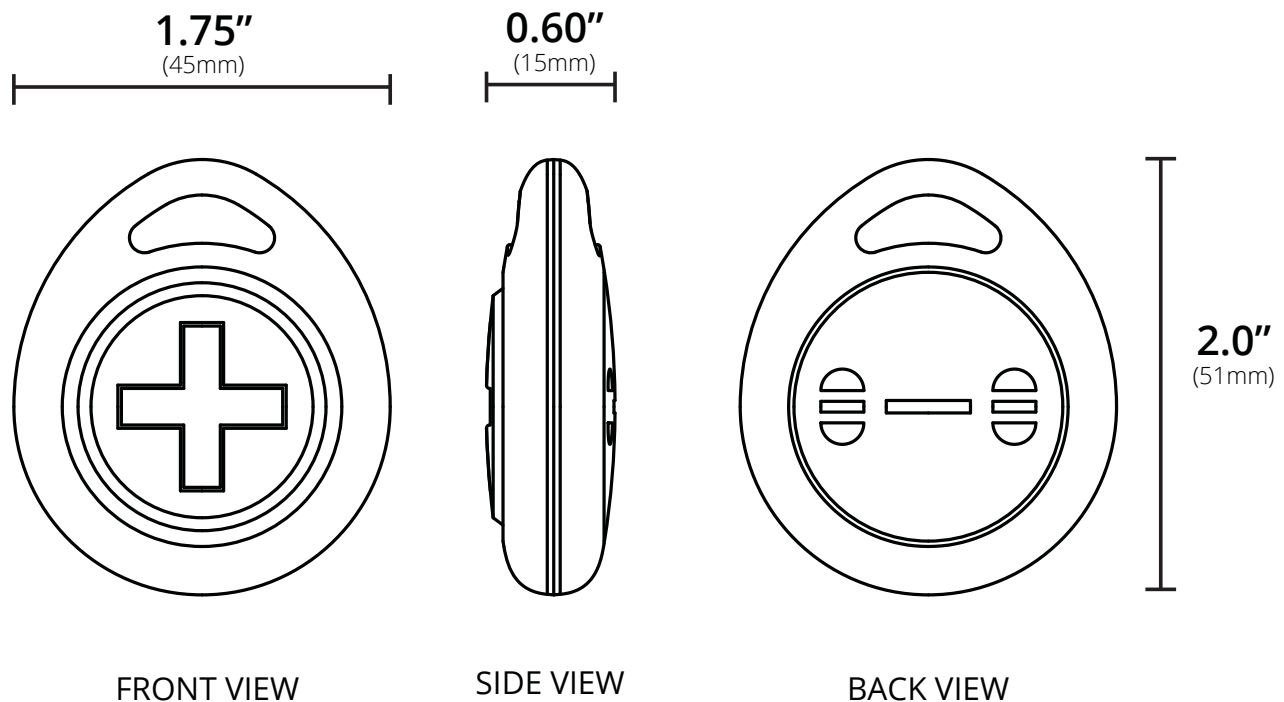


Last Updated: May 2015

## Product Overview

The Iris Emergency Pendant is a home health and safety device specifically designed to protect seniors and family members in a home health emergency. This can help seniors remain independent while sending help fast in the event of a fall, fire, or home invasion. Senior health and safety is as simple as the push of a button. The Iris Emergency Pendant fully supports ZigBee HA 1.2, giving it a wide range of compatible platforms and unlimited options for connected home control.

## Dimensions



## In the Box:

- 1x - Iris Emergency Pendant
- 1x - CR-2450 Battery
- 1x - Quick Start Guide
- 1x - Breakaway Safety Lanyard

## Key Features:

- Easy compatibility with other manufacturers' ZigBee HA 1.2 devices.
- Small and easy to wear.
- Waterproof (up to 3 ft)
- Over-the-air firmware updates.

## Use Cases

- Send notifications during medical emergencies
- Notify authorities in the event of a home intrusion
- Provides round the clock protection
- Send notifications to family members.

### **Send notifications during medical emergencies.**

The touch of a button the Iris Emergency Pendant can notify family members and caregivers during emergencies.

### **Notify authorities in the event of a home intrusion.**

The Iris Emergency Pendant can notify local authorities with your location, allowing them to respond quickly.

### **Provides round the clock protection.**

No need to worry anymore about your daily routine, with the Iris Emergency Pendant you now have 24/7 protection.

### **Send notifications to family members.**

The Iris Emergency Pendant can notify family or love ones when you enter or leave your house, giving them comfort and peace of mind.

---

## Special Features

### **ZigBee Home Automation 1.2 Compatibility**

The Iris Emergency Pendant is fully ZigBee HA 1.2 certified and is guaranteed to function with all open, ZigBee HA 1.2-certified hubs and devices.

### **Superior Range and Updatability**

The Iris Emergency Pendant supports over-the-air updates providing for seamless upgrades and feature additions without the need for any user interaction.

---

## Getting Started

### **Step 1: Open ZigBee Network for Joining**

Using your controller or hub's interface, enable the ZigBee network for joining.

### **Step 2: Insert Battery from back of device**

Remove battery cover located on the back of the device. Insert CR-2450 battery into battery compartment. Reassemble and use a coin and twist clockwise to close.

### **Step 3: Finish Joining at Hub (optional)**

Some hubs and controllers require additional steps such as naming or categorizing the device.

---

## Troubleshooting

### **Step 1: Remove and Replace Battery from Device**

Using a coin, twist the rear battery door counter-clockwise to detach. Remove Remove battery and replace with a new CR-2450 battery. Reassemble and test operation.

### **Step 2: Factory Reset and Rejoin**

Remove battery. While holding down any function button, reinsert battery to factory reset the device. Repeat the "Getting Started" steps to rejoin the ZigBee network.

---

## Compatibility

The Iris Emergency Pendant features out-of-the-box compatibility with the Lowe's IRIS Hub and any ZigBee HA 1.2-certified hub, controller, bridge, or platform.

# Technical Specifications

## Power

Rated: 3V  
Battery: CR-2450 (1x)  
Battery Life: Up to 2 years

## Environmental

Operating Temperature: 0° to 40°C

## Shipping / Storage

Temperature: -20° to 50°C  
Humidity Range: 0 to 90% RH.  
(non-condensing)

Approvals:  

## Wireless RF

Protocol: ZigBee HA 1.2  
TX Strength: +3 dBm  
RF Channels: 16  
Range: 130 ft. (40m) LOS

## Approvals

This device complies with Part 15 of the FCC rules. Operation is subject to the following two conditions:

- (1) This device may not cause harmful interference and
- (2) This device must accept any interference received, including interference that may cause undesired operation.



Conforms to FCC Part 15B

FCC ID: T3L-SS010

IC: 12192A-SS010



Industry Canada licence-exempt RSS Standards. Operation is subject to the following two conditions: (1) This device may not cause harmful interference, and (2) This device must accept any interference received, including interference that may cause undesired operation.

Under Industry Canada regulations, this radio transmitter may only operate using an antenna of a type and maximum (or lesser) gain approved for the transmitter by Industry Canada. To reduce potential radio interference to other users, the antenna type and its gain should be so chosen that the equivalent isotropically radiated power (e.i.r.p.) is not more than that necessary for successful communication.

This equipment complies with FCC and IC radiation exposure limits set forth for an uncontrolled environment. This equipment is in direct contact with the body of the user under normal operating conditions. This transmitter must not be co-located or operating in conjunction with any other antenna or transmitter.

Changes or modifications not expressly approved by CentraLite Systems, Inc. could void the user's authority to operate the equipment.

Le présent appareil est conforme aux CNR d'Industrie Canada applicables aux appareils radio exempts de licence. L'exploitation est autorisée aux deux conditions suivantes: (1) l'appareil ne doit pas produire de brouillage, et (2) l'utilisateur de l'appareil doit accepter tout brouillage radioélectrique subi, même si le brouillage est susceptible d'en compromettre le fonctionnement.

Conformément à la réglementation d'Industrie Canada, le présent émetteur radio peut fonctionner avec une antenne d'un type et d'un gain maximal (ou inférieur) approuvé pour l'émetteur par Industrie Canada. Dans le but de réduire les risques de brouillage radioélectrique à l'intention des autres utilisateurs, il faut choisir le type d'antenne et son gain de sorte que la puissance isotrope rayonnée équivalente (p.i.r.e.) ne dépasse pas l'intensité nécessaire à l'établissement d'une communication satisfaisante.

**Notice:** Any content, factual information, or specifications containing errors in this document are solely inadvertent and will be corrected upon discovery. Specifications for unreleased/planned products are subject to change.