

Product Data Sheet

3-Series Smart Garage System

3220



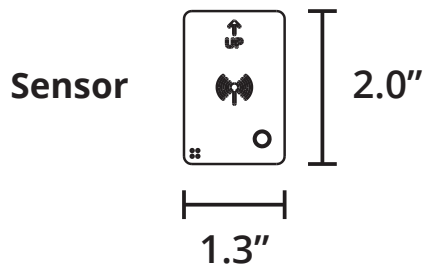
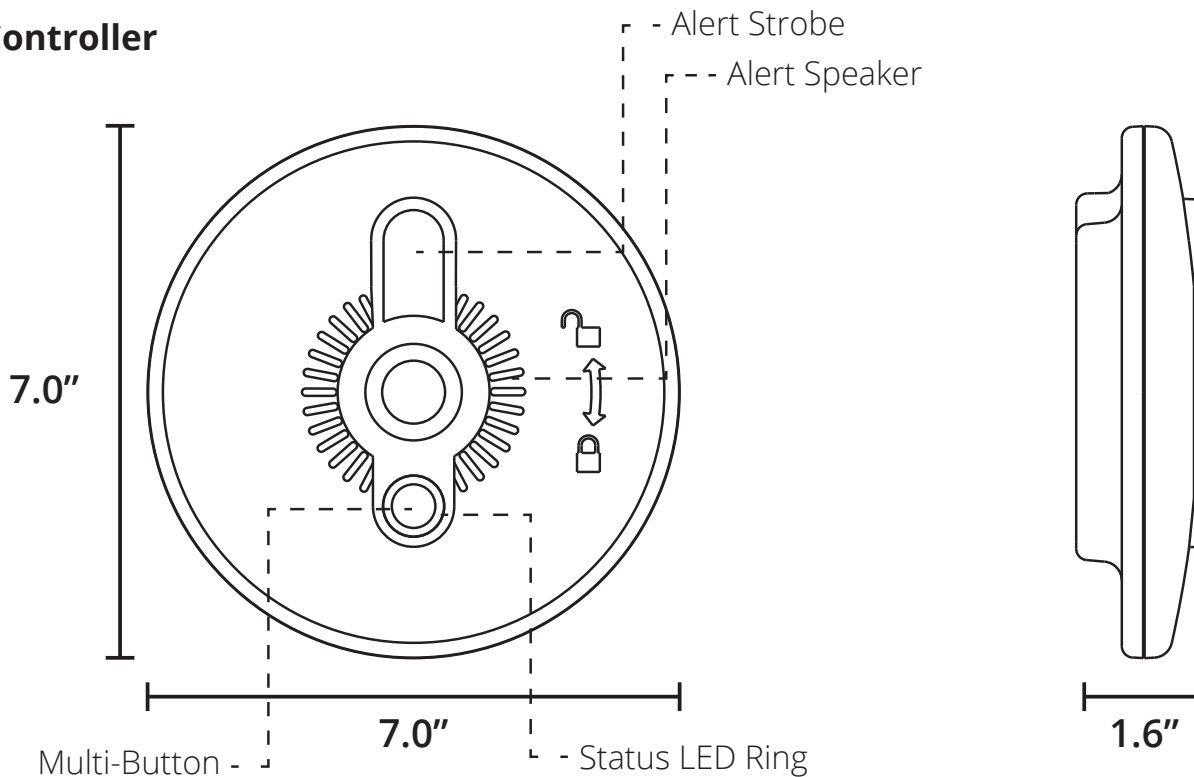
Last Updated: January 2015

Product Overview

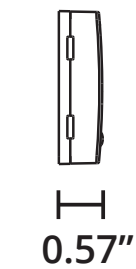
The 3-Series Smart Garage System gives users an unprecedented level of automated control to their garage door openers. The Smart Garage Controller enables users to remotely raise/lower the garage door as well as turn on/off built-in garage door lights (optional). The Smart Garage Sensor (optional) reports if the door is opened or closed and even what level the door is at if open. With onboard ZigBee HA 1.2 integration, the 3-Series Smart Garage System can trigger other devices in the connected home such as lighting scenes, text notifications, and events.

Dimensions

Controller

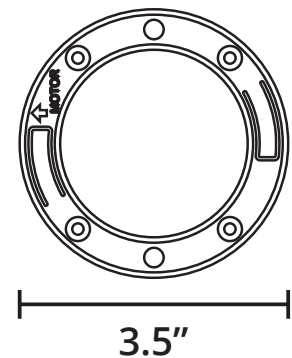


FRONT VIEW



SIDE VIEW

Mounting Bracket



In the Box:

1x - Garage Controller

1x - Garage Door Sensor

1x - Set of Control Wires

1x - Controller Mounting Bracket

1x - Sensor Mounting Bracket

1x - Set of Mounting Screws

1x - Set of Mounting Screws

1x - Quick Start Guide

Key Features:

- Open/Close functionality for garage doors
 - Door position sensing technology (optional)
 - Built-in power amplifier for exceptional range.
 - Reports open/close regardless of whether the motor was activated.
 - Alert strobe light and audible tone for safety.
 - Easy compatibility with other manufacturers' ZigBee HA 1.2 devices.
 - Built-in ZigBee repeater for extending the range of other ZigBee devices.
 - Multi-functional LED indicator.
 - Over-the-air firmware updates.
-

Use Cases

- Open and close your garage door while you're away.
- Automatically close your garage door at night.
- Trigger "welcome" and "goodbye" scenes.
- Send break-in attempt alerts if the door is opened manually without the motor.
- Receive notifications if a garage door is opened or closed outside of scheduled "safe times."
- Easier and safer package deliveries.

Automatically close your garage door at night.

You'll never forget to close your garage door again! The 3-Series Smart Garage System can be scheduled to close automatically at night and after you've left for work for those times you accidentally leave it open.

Trigger "welcome" and "goodbye" scenes.

Configure your connected home to automatically turn on lights, HVAC systems, and even your stereo system when you open your garage door when getting home from work. You can also configure your system to automatically turn off lights, HVAC, and appliances (like coffee pots and curling irons) as you're pulling out of your driveway during the morning.

Send break-in attempt alerts if the door is opened manually without the motor.

One in 10 home break-ins are through garage doors. If your garage door is forced opened without motor activation, the 3-Series Smart Garage System can immediately alert you to a break-in attempt.

Easier and safer package deliveries.

Many people leave their garage doors opened 2 feet or less to receive packages they're expecting. With the 3-Series Smart Garage System, you can schedule the garage door to open to a few feet, then utilize a separate motion sensor to trigger the garage door to close after delivery.

Special Features

Super-bright LED Warning Lights and Audible Warning

For added safety when opening/closing an unattended garage door, the 3-Series Smart Garage System emits a powerful audible warning tone and LED strobe light to warn anyone near the garage that it is about to open or close.

Position Sensing Technology (optional)

Using various types of sensors, the 3-Series Smart Garage Sensor tracks its position while the garage door is moving and when it is stationary. This makes the 3-Series Smart Garage System the only complete

solution that includes this technology that's compatible with all garage door types.

ZigBee Home Automation 1.2 Compatibility

The 3-Series Smart Garage System is fully ZigBee HA 1.2 certified and is guaranteed to function with all open, ZigBee HA 1.2-certified hubs and devices.

Easy 2-Step Join Process

The Smart Garage System is factory-configured to search for open ZigBee networks the first time it is plugged in. Simply open the hub for joining, plug in the Smart Garage System, and the module will join the open network.

Getting Started

Note: It is recommended that you complete the joining process before mounting the Smart Garage Controller. The Smart Garage Controller comes pre-joined to its Door Sensor.

Step 1: Open ZigBee Network for Joining

Using your controller or hub's interface, enable the ZigBee network for joining.

Step 2: Plug-In Smart Garage Controller

Plug the Smart Garage Controller into a receptacle near or inside your garage and it will immediately begin searching for a network to join.

Step 3: Finish Joining at Hub (optional)

Some hubs and controllers require additional steps such as naming or categorizing the device.

Step 4: Unplug Smart Garage Controller

Remove the Smart Garage Controller from the receptacle. It's now time to mount the device in the garage.

Step 5: Install Mounting Bracket to Ceiling

Using the included anchors and screws, the controller bracket should be screwed into the garage ceiling (directly above the garage door motor) securely, using all three included mounting screws.

Step 6: Attach Smart Garage Controller

Fit the Smart Garage Controller into the mounting bracket and twist until it locks into place.

Step 7: Wiring

Using the included control wires, insert the wires first into the Smart Garage Door quick-connect terminals, then insert or screw them into the garage door motor's control and light terminals. Now plug the Smart Garage Controller's power cord into the ceiling receptacle.

Step 8: Attach Smart Garage Sensor to Door

Using the included hardware (screws or adhesive tape), install the sensor mounting bracket to the **bottom panel** of your garage door. If you have a non-paneled or solid door, install the mounting bracket within 18 inches of the floor. Finally, clip the Smart Garage Sensor into the mounting bracket. The installation is complete.

Troubleshooting

Step 1: Check Power Status of Smart Garage Controller.

Ensure that the Smart Garage Controller's LED status ring is lit and green. If not, ensure that power is getting to the receptacle. (Note: if the garage door motor is powered by the same receptacle as the Smart Garage Controller, ensure that the garage door motor is functioning correctly on its own.)

Step 2: Reset and Rejoin Garage Controller

Remove the device from your hub or ZigBee controller and then open the hub for joining. Then, using an extension pole or ladder, depress the Smart Controller's multi-button (center of the LED ring) for 15 seconds and the Garage Controller will reset and attempt to rejoin the ZigBee Network.

Compatibility

The 3-Series Smart Garage System features out-of-the-box compatibility with any ZigBee HA 1.2-certified hub, controller, bridge, or platform.

Technical Specifications

Electrical

Controller Power: 120 VAC, 60Hz
Sensor Power: 1x CR-2450 Battery

Environmental

Operating Temperature: 0° to 40°C

Shipping / Storage

Temperature: -20° to 50°C
Humidity Range: 0 to 90% R.H.
(non-condensing)

Wireless RF

Protocol: ZigBee HA 1.2
TX Strength: +20 dBm
RF Channels: 16
Range: 50+ ft.

Support

Centralite offers both Tier-1 and Tier-2 support structures to meet the needs of different customers. For those customers that provide existing, in-house support for systems, Centralite can serve as Tier-2 support specialists. For Centralite retail-branded products, Centralite provides direct Tier-1 support for all products.

Contact Sales

For more information about sales or distribution, please contact:

North America

Sean Bryant, VP Sales & Marketing
877-466-5483
seanbryant@centralite.com

Centralite Systems, Inc.
1000 Cody Road
Mobile, AL 36695
www.centralite.com

Standard Warranty

Centralite offers a standard 12-month limited warranty on the 3-Series Smart Garage System.

International

Marco Dorjee
International Business Development
Office: +31 (0)20 893 2532
Mobile: +31 (0)62 900 3903
marcodorjee@centralite.com

Colijnplein 27
3404 JM IJsselstein
The Netherlands

WARNING!

Install device in accordance with included instructions and local laws, building codes, and safety codes.

WARNING!

Professional installation is recommended for this product.

WARNING!

If warning strobe light or audible indicator is not functioning correctly, immediately cease use of this device.

Approvals



Controller FCC ID: T3L-SS003
Controller IC ID: 12192A-SS003
Sensor FCC ID: T3L-SS004
Sensor IC ID: 12192A-SS004

This device complies with part 15 of the FCC Rules. Operation is subject to the following two conditions: (1) This device may not cause harmful interference, and (2) This device must accept any interference received, including interference that may cause undesired operation.

This equipment has been tested and found to comply with the limits for a Class B digital device, pursuant to Part 15 of the FCC Rules. These limits are designed to provide reasonable protection against harmful interference in a residential installation. This equipment generates, uses and can radiate radio frequency energy and, if not installed and used in accordance with the instructions, may cause harmful interference to radio communications. However, there is no guarantee that interference will not occur in a particular installation. If this equipment does cause harmful interference to radio or television reception, which can be determined by turning the equipment off and on, the user is encouraged to try to correct the interference by one or more of the following measures:

- Reorient or relocate the receiving antenna.
- Increase the separation between the equipment and the receiver.

- Connect the equipment into an outlet different from that to which the receiver is connected.
- Consult the dealer or an experienced radio/TV technician for help.

The FCC requires the user to be notified that any changes or modifications made to this device that are not expressly approved by Purple Communications, Inc, may void the user's authority to operate the equipment.

This device complies with Industry Canada license-exempt RSS standard(s). Operation is subject to the following two conditions: (1) This device may not cause harmful interference; (2) This device must accept any interference received, including interference that may cause undesired operation of the device.

Cet appareil est conforme à Industrie Canada une licence standard RSS exonérés (s). Son fonctionnement est soumis aux deux conditions suivantes: (1) Cet appareil ne doit pas provoquer d'interférences (2) Cet appareil doit accepter toute interférence reçue, y compris les interférences pouvant provoquer un fonctionnement indésirable de l'appareil.