

GulfStream_MEGAMOUTH

GulfStream_MEGAMOUTH-CSI-2011-1.0-D

Centralite Systems, Inc.

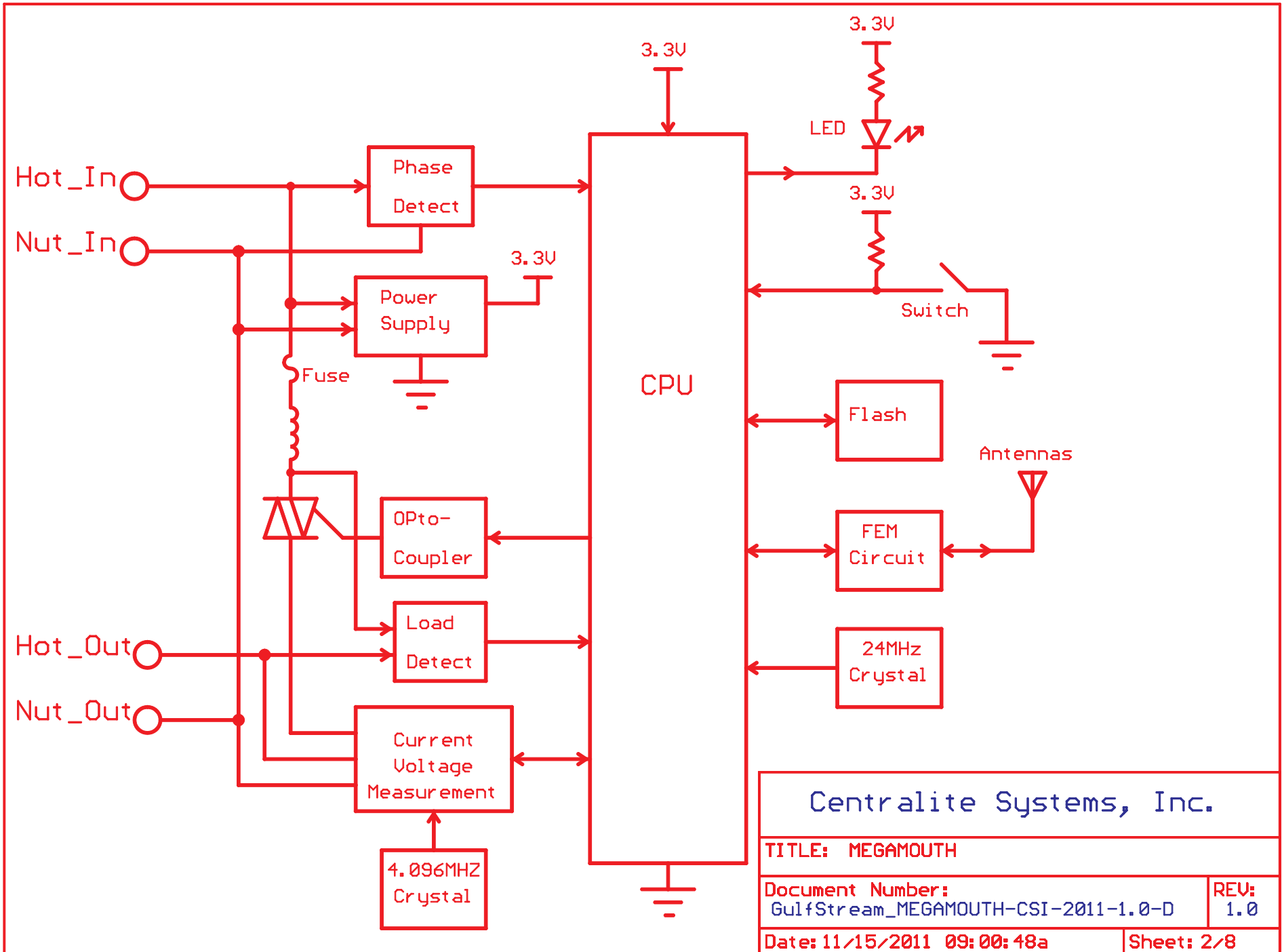
TITLE: MEGAMOUTH

Document Number:
GulfStream_MEGAMOUTH-CSI-2011-1.0-D

REV:
1.0

Date: 11/15/2011 09:00:48a

Sheet: 1/8



Centralite Systems, Inc.

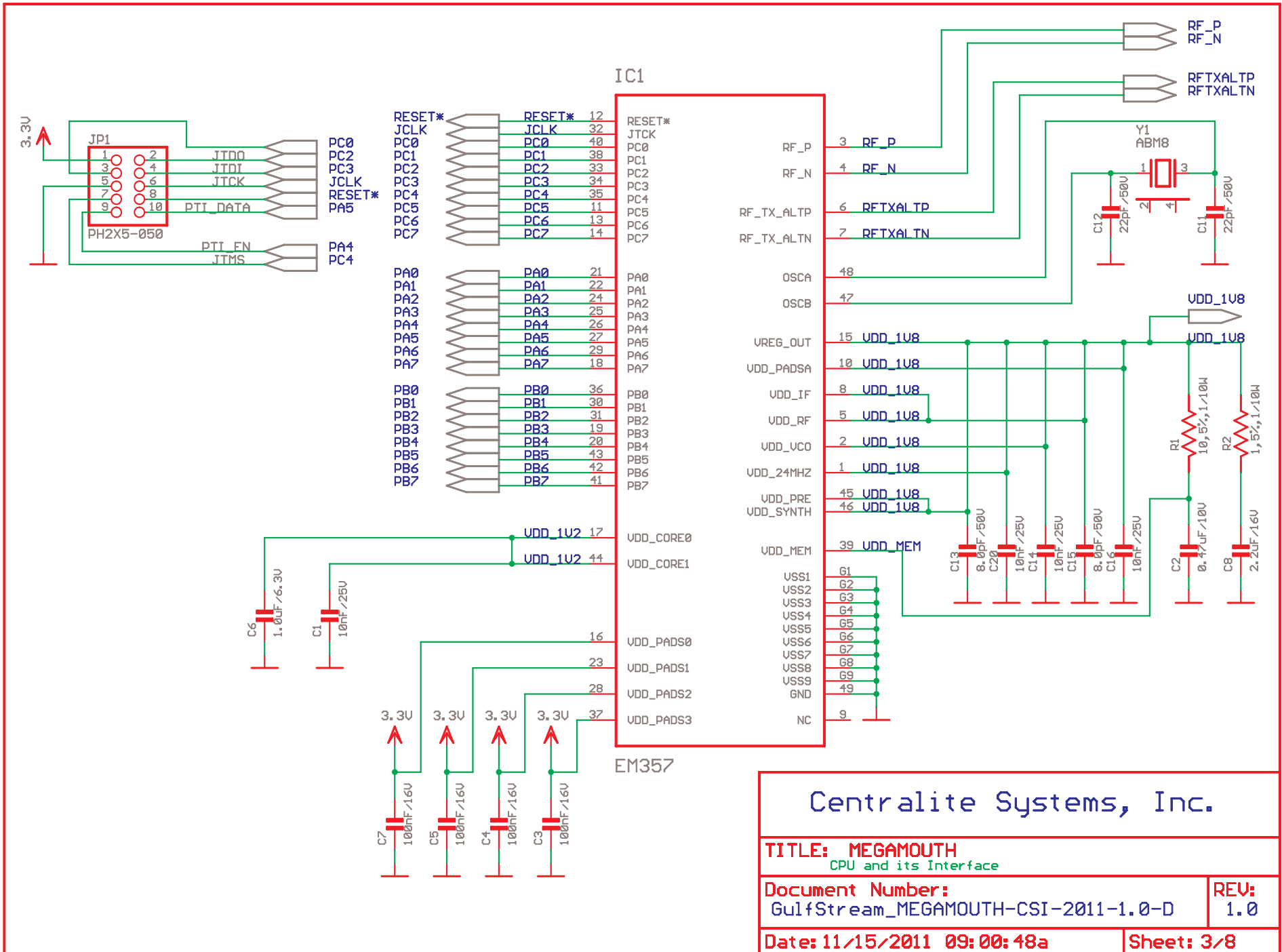
TITLE: MEGAMOUTH

Document Number:
GulfStream_MEGAMOUTH-CSI-2011-1.0-D

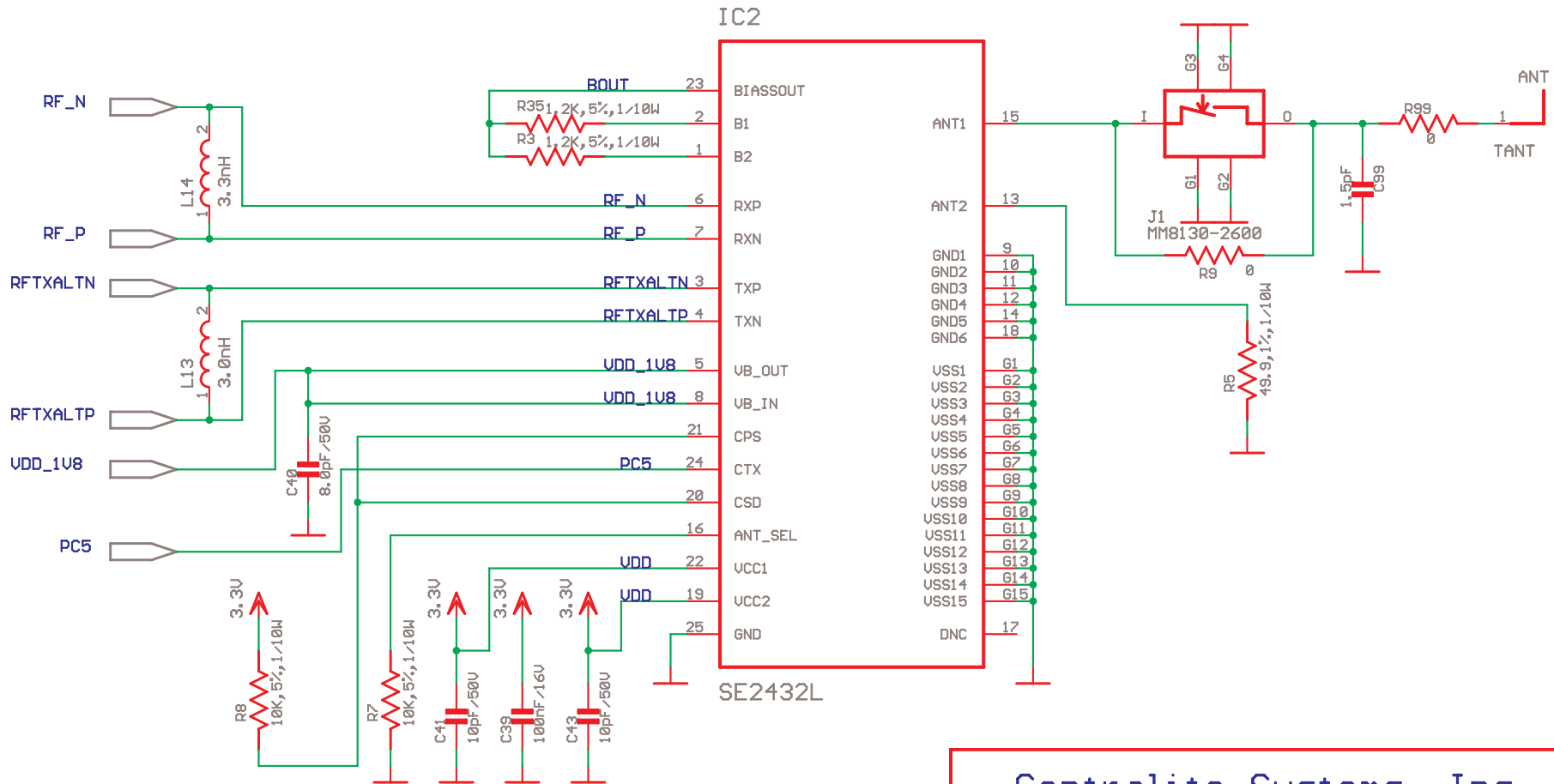
REV:
1.0

Date: 11/15/2011 09:00:48a

Sheet: 2/8



Note that in production versions:
J1 is not populated, but R9 is populated



Centralite Systems, Inc.

TITLE: MEGAMOUTH
Power Amplifier and Antenna

Document Number:
GulfStream_MEGAMOUTH-CSI-2011-1.0-D

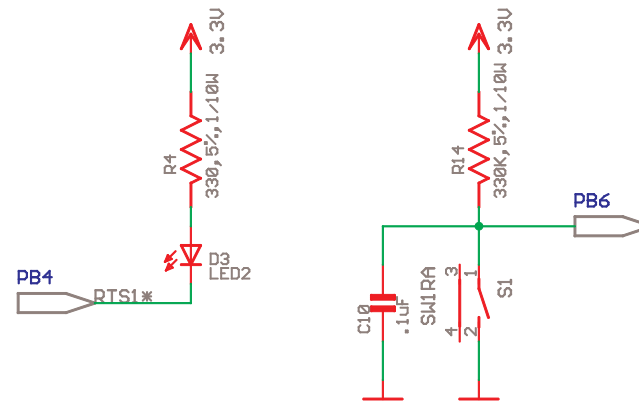
REV:
1.0

Date: 11/15/2011 09:00:48a

Sheet: 4/8

FID1
 FID2
 FID3

PB1 TXD1
 PB2 RXD1
 PC1
 PC6
 PA7



Centralite Systems, Inc.

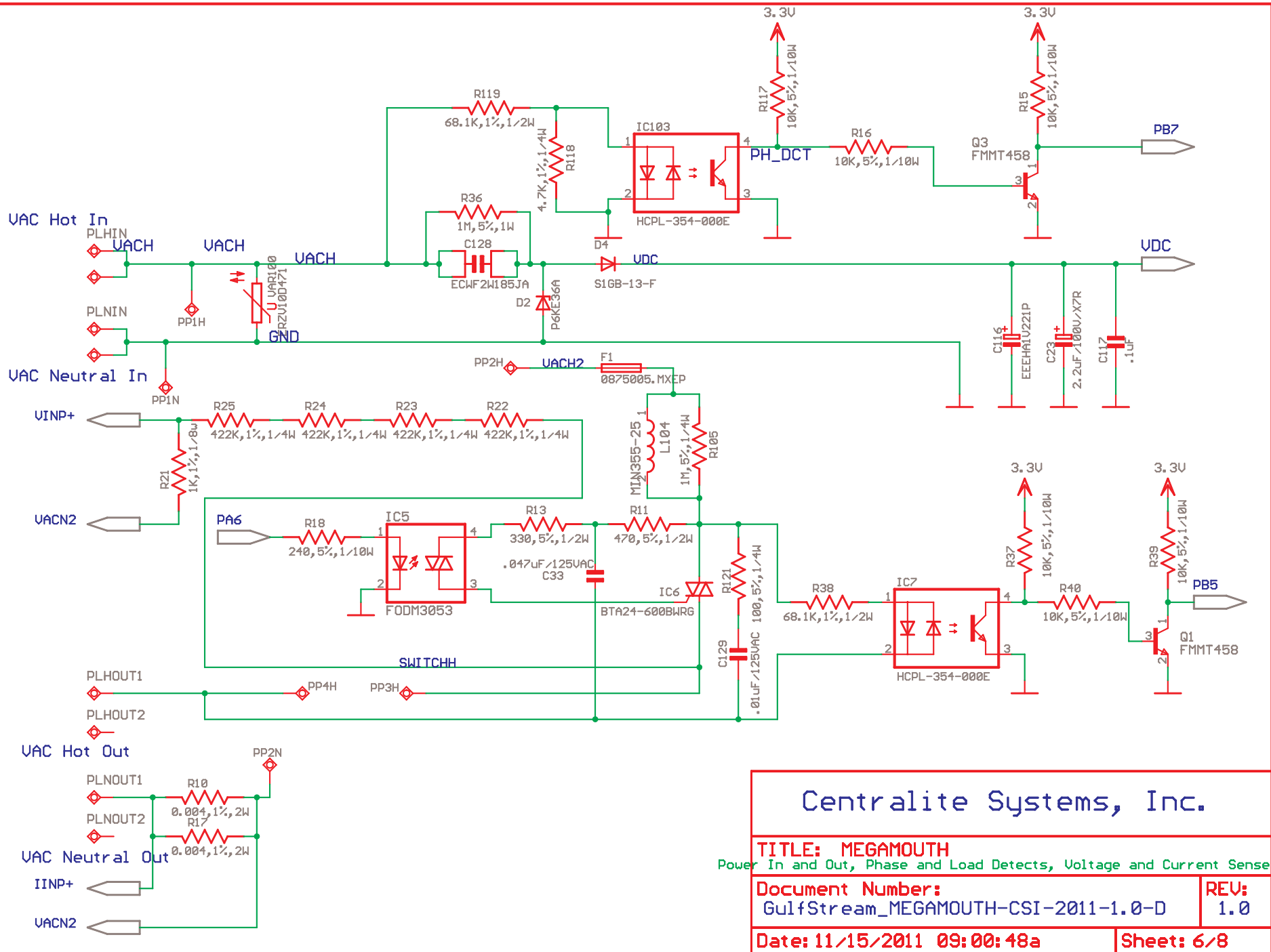
TITLE: MEGAMOUTH
 Switch and LED

Document Number:
 GulfStream_MEGAMOUTH-CSI-2011-1.0-D

REV:
 1.0

Date: 11/15/2011 09:00:48a

Sheet: 5/8

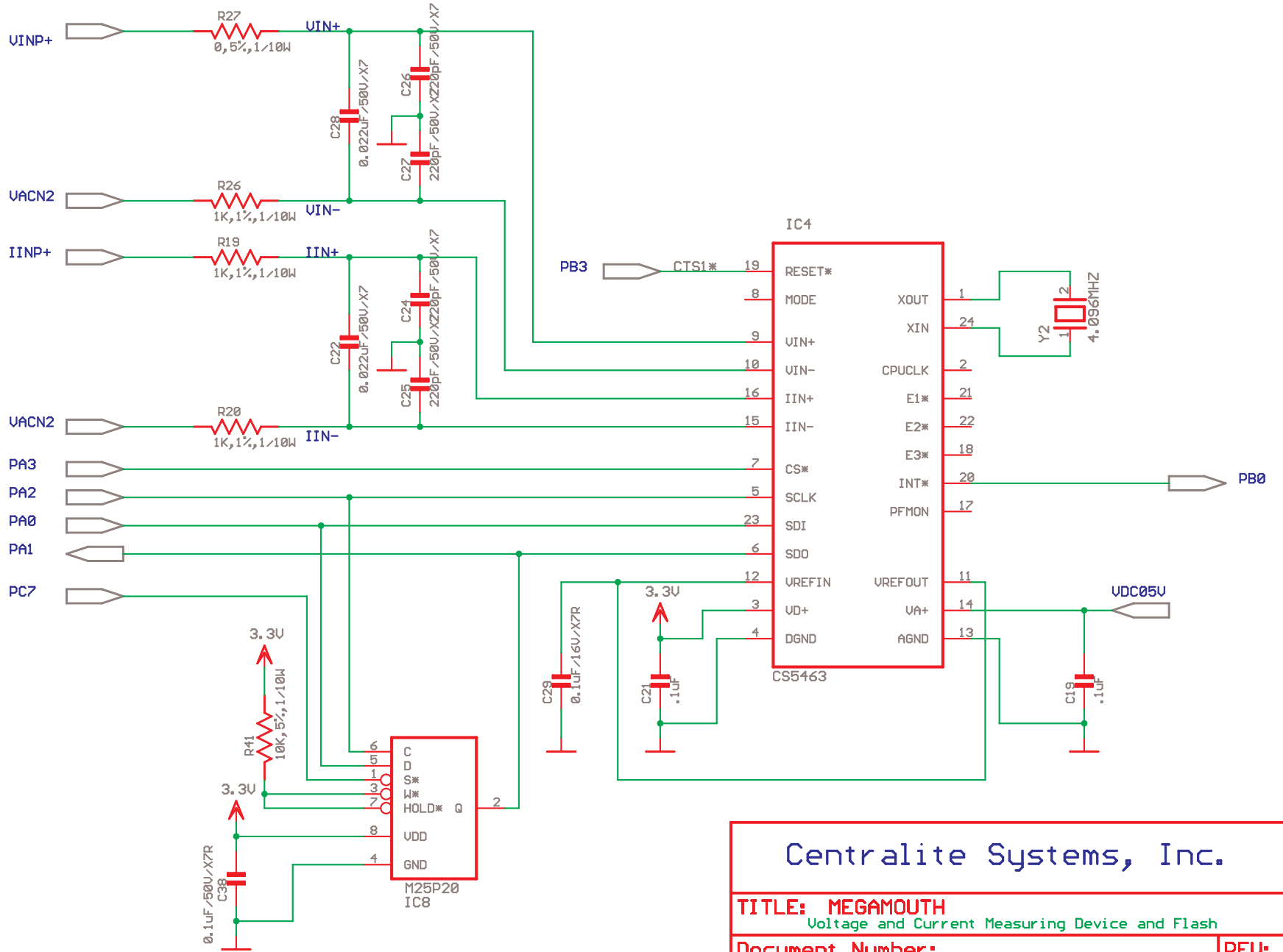


Centralite Systems, Inc.

TITLE: MEGAMOUTH
 Power In and Out, Phase and Load Detects, Voltage and Current Sense

Document Number: GulfStream_MEGAMOUTH-CSI-2011-1.0-D
REV: 1.0

Date: 11/15/2011 09:00:48a **Sheet:** 6/8



Centralite Systems, Inc.

TITLE: MEGAMOUTH

Voltage and Current Measuring Device and Flash

Document Number:

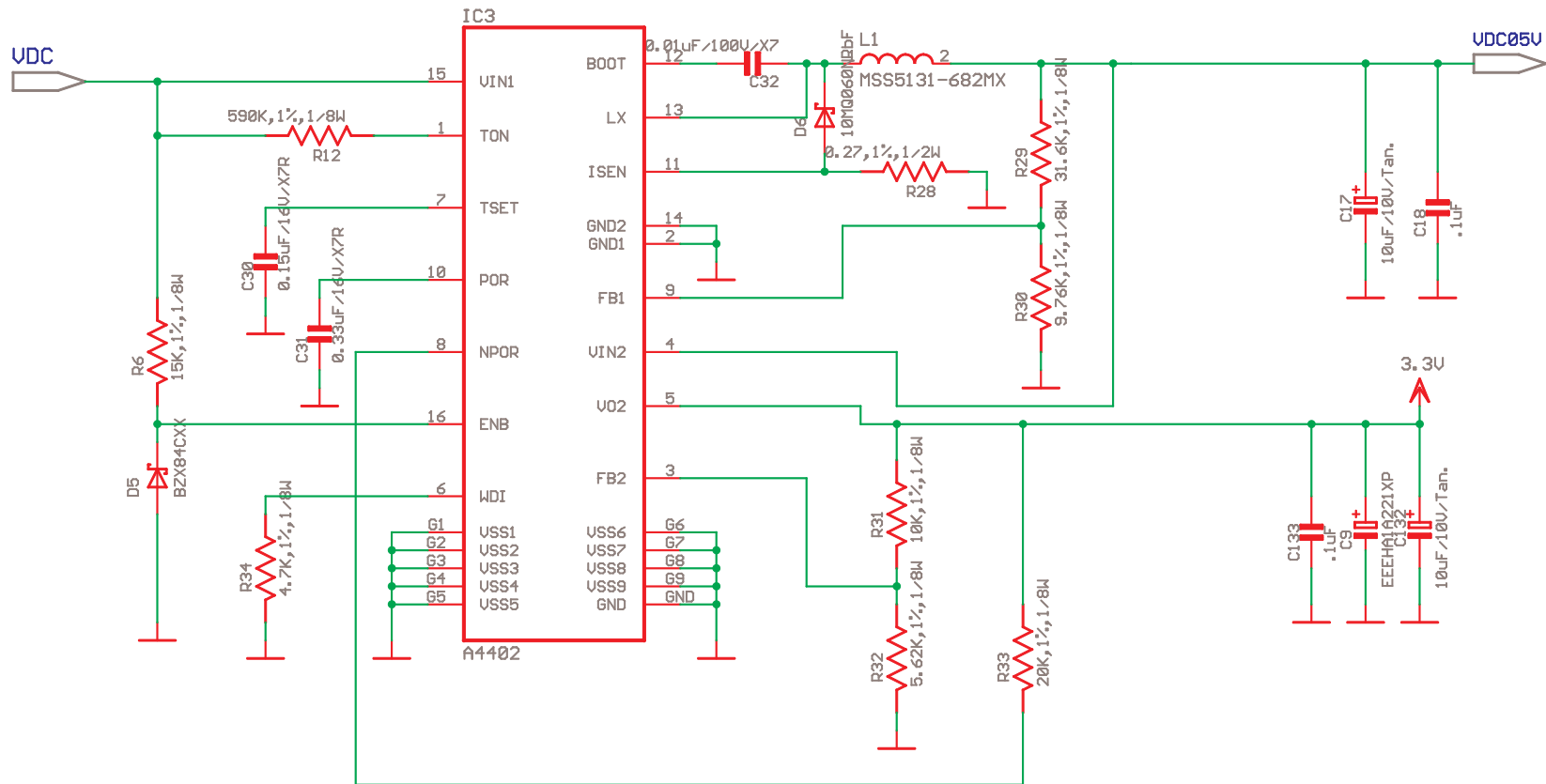
GulfStream_MEGAMOUTH-CSI-2011-1.0-D

REV:

1.0

Date: 11/15/2011 09:00:48a

Sheet: 7/8



Centralite Systems, Inc.

TITLE: MEGAMOUTH
5VDC and 3.3VDC Generation

Document Number:
GulfStream_MEGAMOUTH-CSI-2011-1.0-D

REV:
1.0

Date: 11/15/2011 09:00:48a

Sheet: 8/8