

GulfStream_HOUNSHARK

GulfStream_HOUNSHARK-CSI-2011-1.0-C

Centralite Systems, Inc.

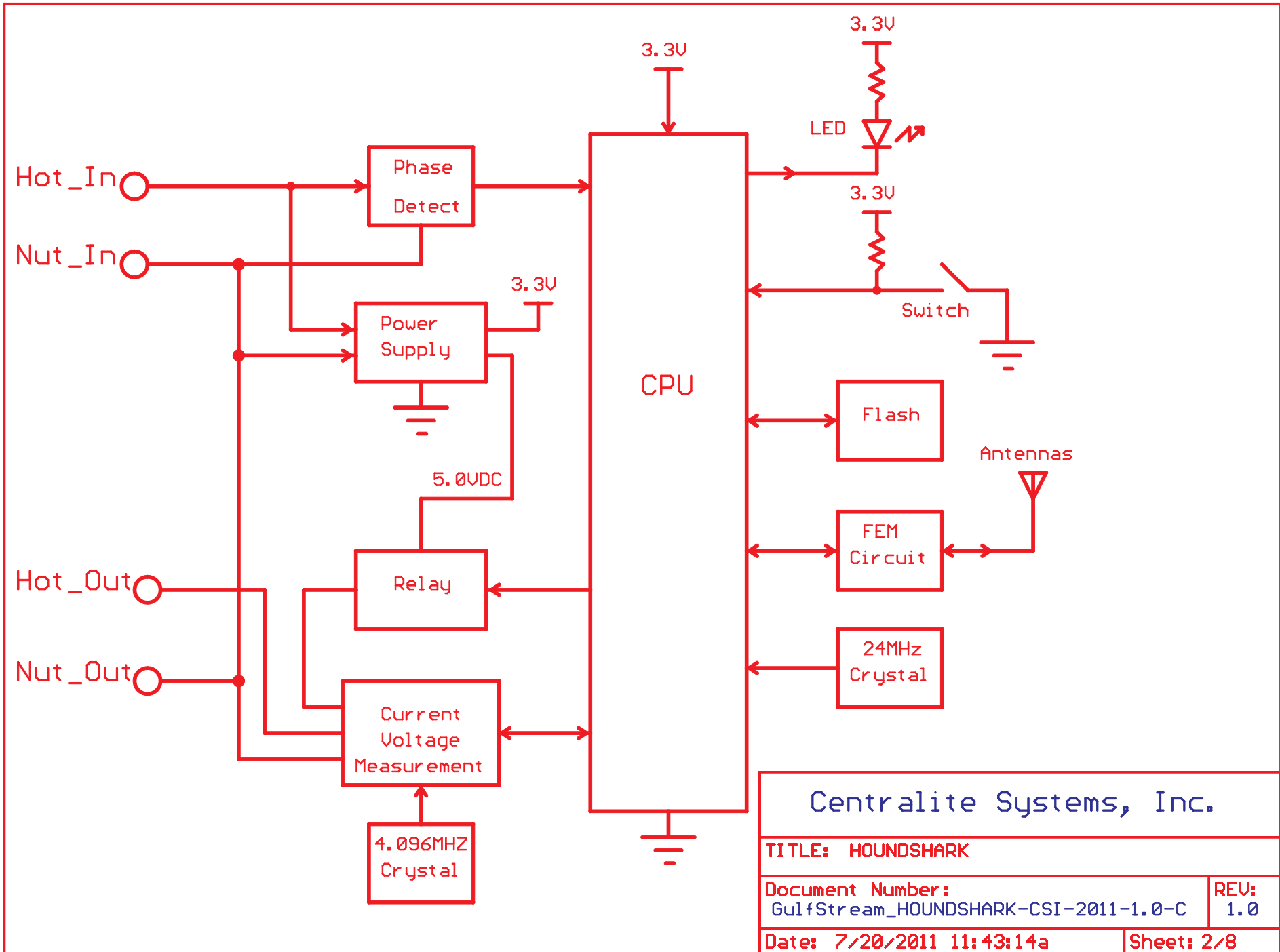
TITLE: HOUNSHARK

Document Number:
GulfStream_HOUNSHARK-CSI-2011-1.0-C

REV:
1.0

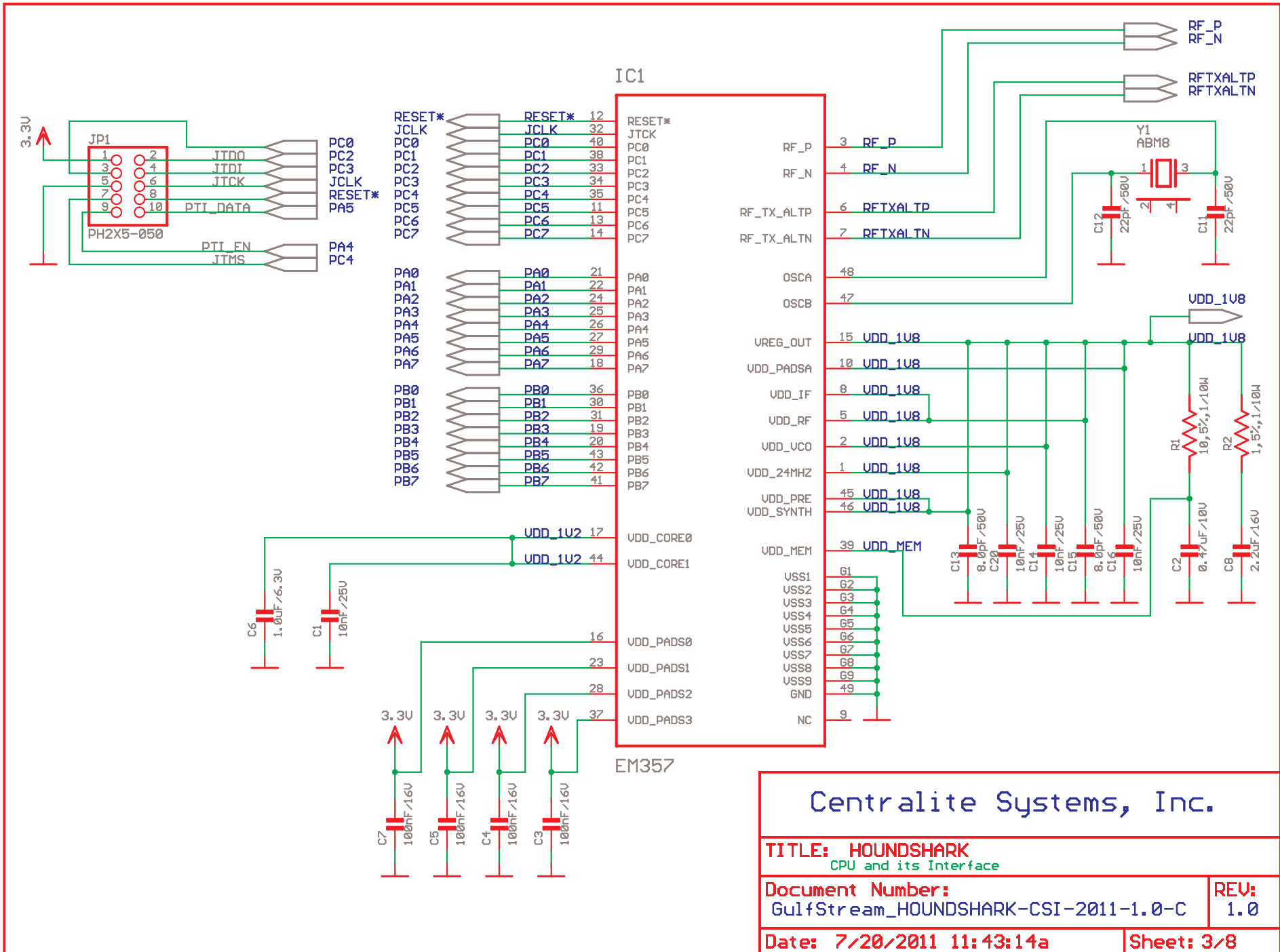
Date: 7/20/2011 11:43:14a

Sheet: 1/8



Centralite Systems, Inc.

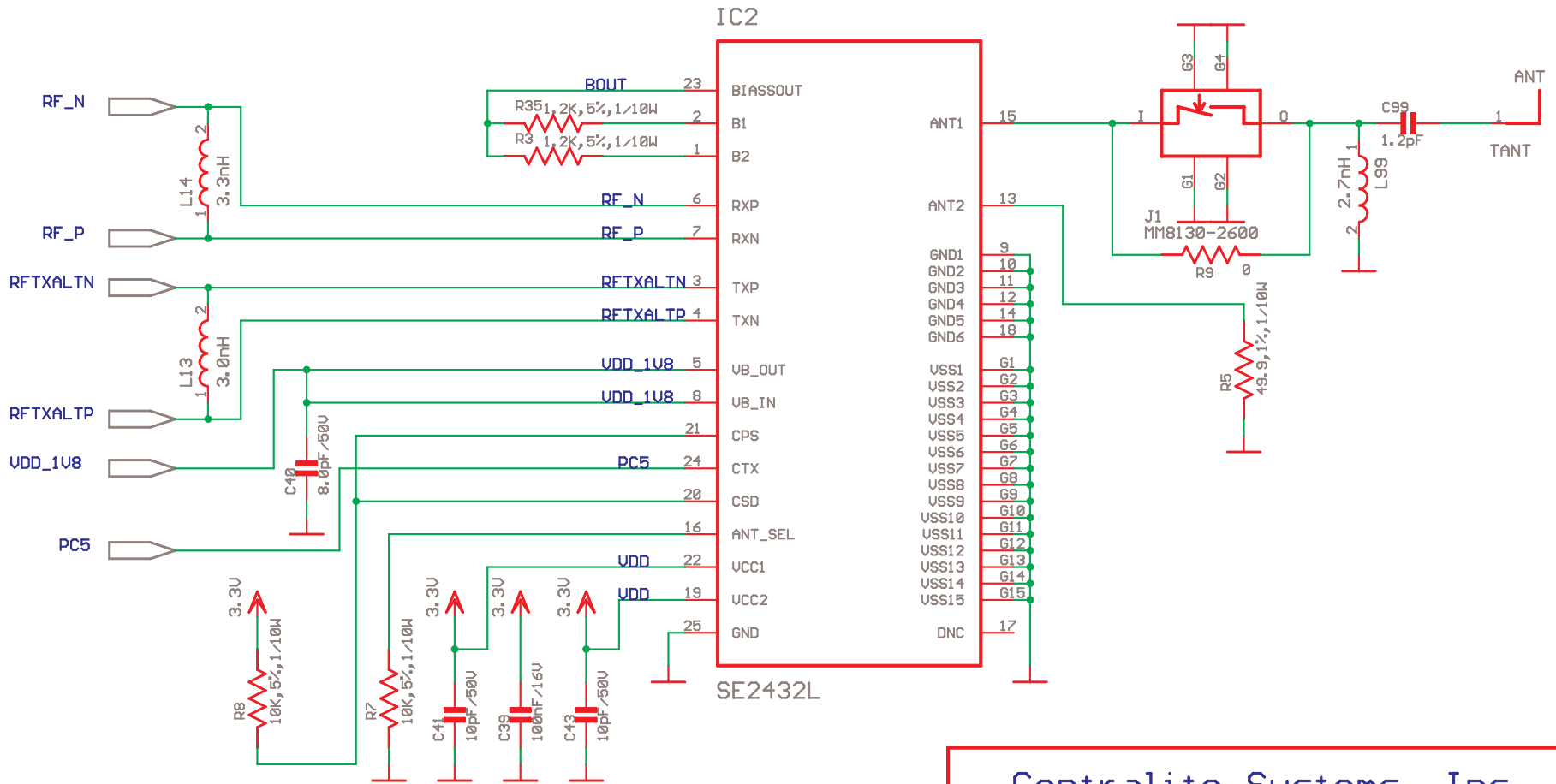
TITLE: HOUND SHARK	
Document Number: GulfStream_HOUND SHARK-C SI-2011-1.0-C	REV: 1.0
Date: 7/20/2011 11:43:14a	Sheet: 2/8



Centralite Systems, Inc.

TITLE: HOUND SHARK CPU and its Interface	
Document Number: GulfStream_HOUND SHARK-CSI-2011-1.0-C	REV: 1.0
Date: 7/20/2011 11:43:14a	Sheet: 3/8

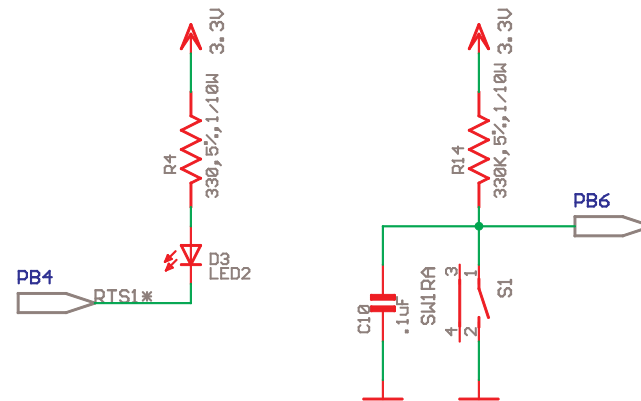
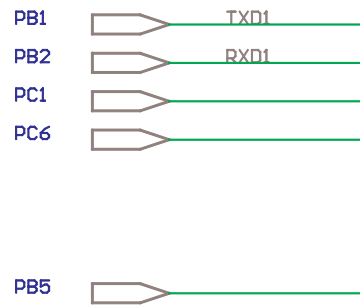
Note that matching circuits values are subject to tuning
 Note that in production versions:
 J1 is not populated, but R9 is populated



Centralite Systems, Inc.

TITLE: HOUNDSHARK
 Power Amplifier and Antenna

Document Number: GulfStream_HOUNDSHARK-CSI-2011-1.0-C	REV: 1.0
Date: 7/20/2011 11:43:14a	Sheet: 4/8



Centralite Systems, Inc.

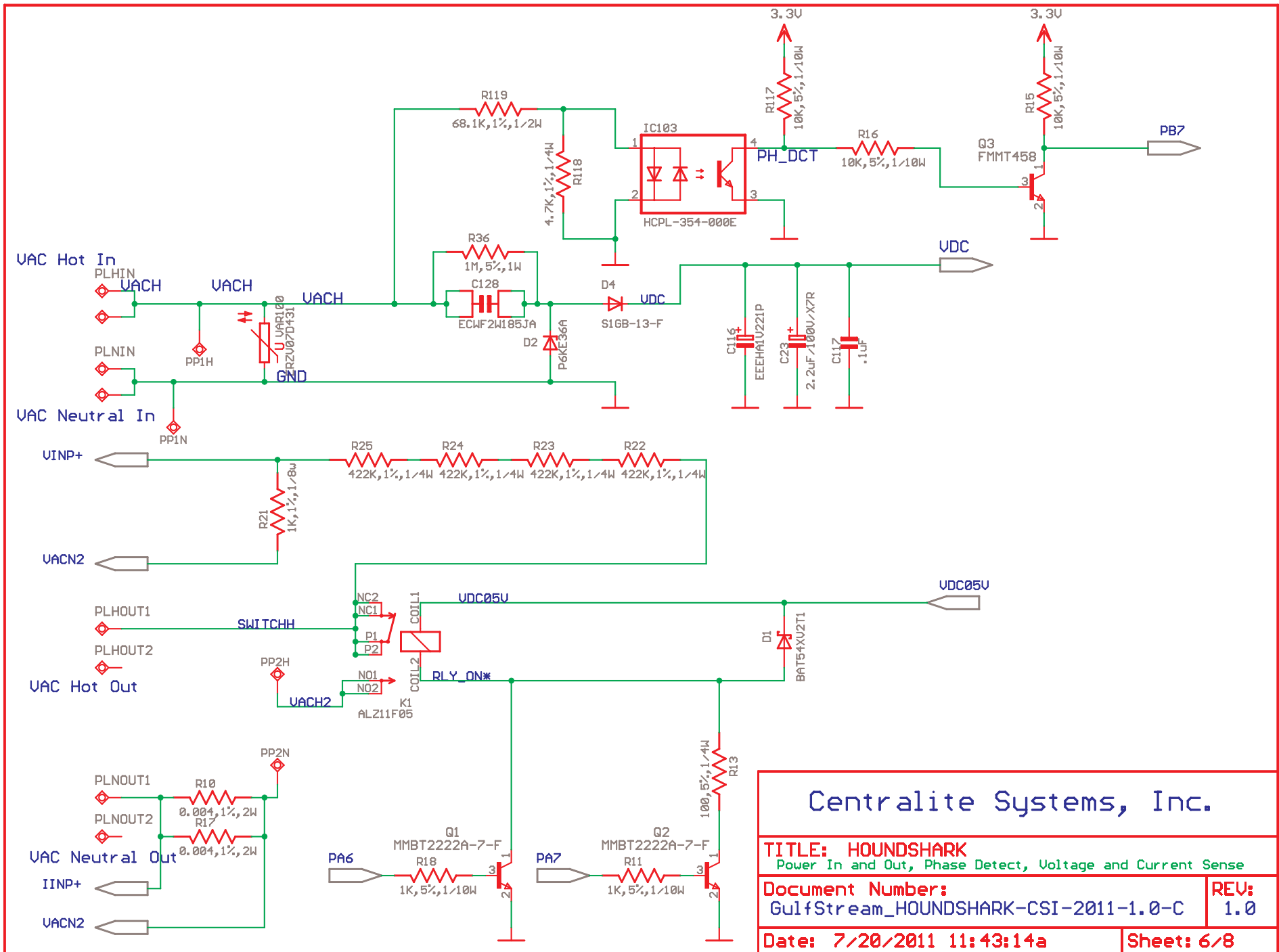
TITLE: HOUNDSHARK
Switch and LED

Document Number:
GulfStream_HOUNDSHARK-CSI-2011-1.0-C

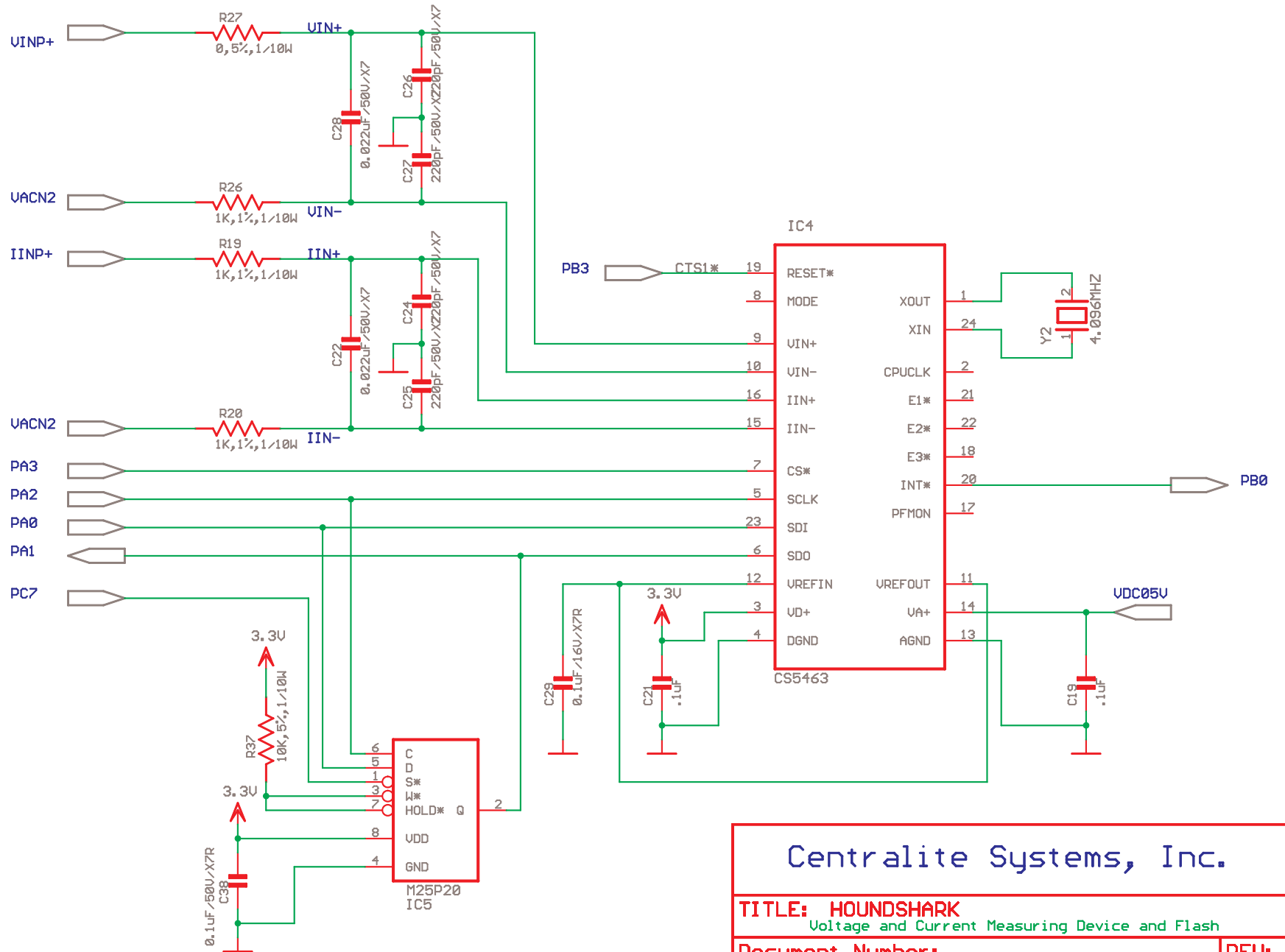
REV:
1.0

Date: 7/20/2011 11:43:14a

Sheet: 5/8



Centralite Systems, Inc.	
TITLE: HOUND SHARK Power In and Out, Phase Detect, Voltage and Current Sense	
Document Number: GulfStream_HOUND SHARK-C SI-2011-1.0-C	REV: 1.0
Date: 7/20/2011 11:43:14a	Sheet: 6/8



Centralite Systems, Inc.

TITLE: HOUNDSHARK

Voltage and Current Measuring Device and Flash

Document Number:

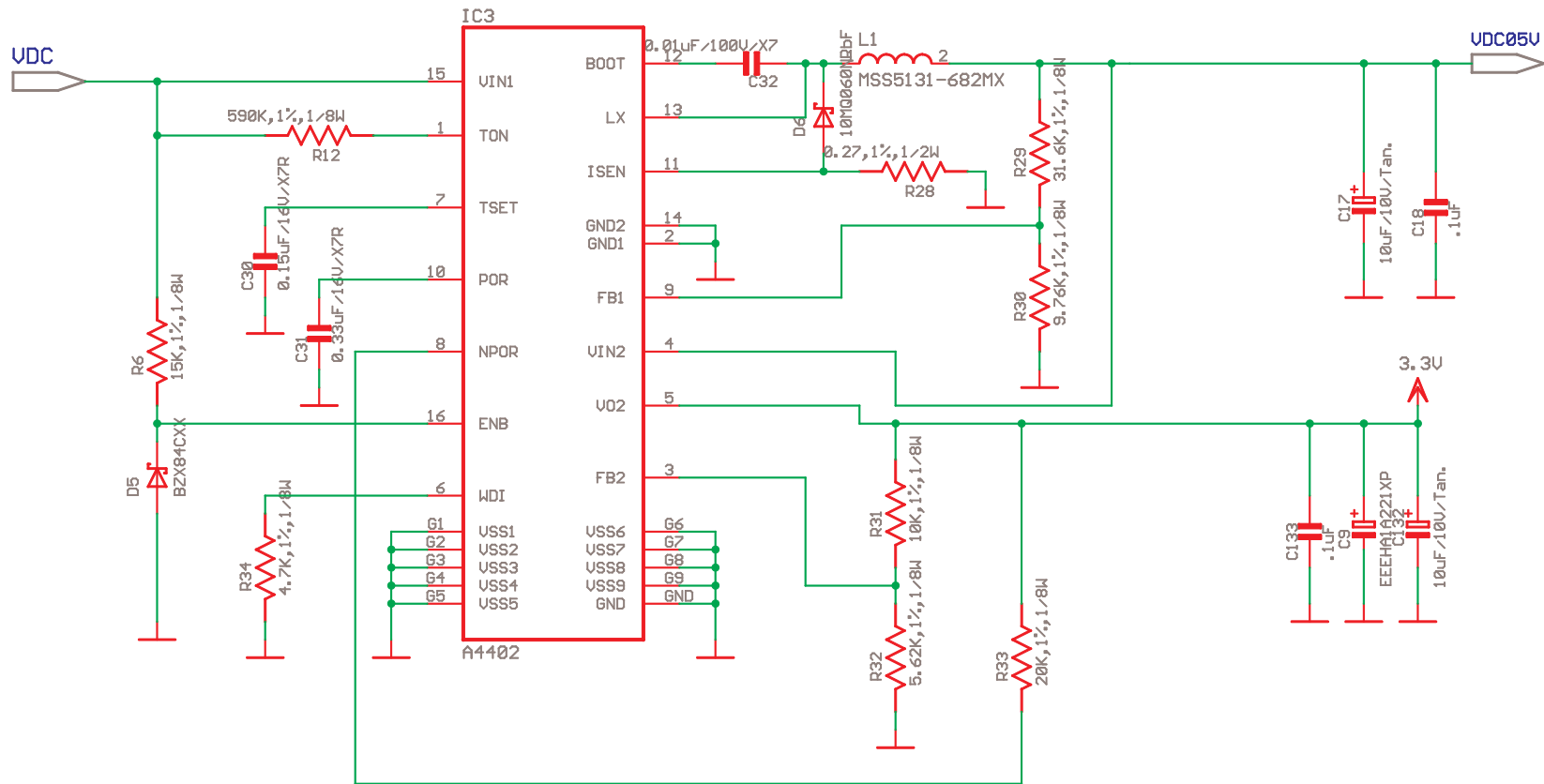
GulfStream_HOUNDSHARK-CSI-2011-1.0-C

REV:

1.0

Date: 7/20/2011 11:43:14a

Sheet: 7/8



Centralite Systems, Inc.

TITLE: HOUNDSHARK
5VDC and 3.3VDC Generation

Document Number:
GulfStream_HOUNDSHARK-CSI-2011-1.0-C

REV:
1.0

Date: 7/20/2011 11:43:14a

Sheet: 8/8