

GuIfStream_HAMMERHEADLM

GuIfStream_HAMMERHEADLM-CSI-2010-1.0-A

Centralite Systems, Inc.

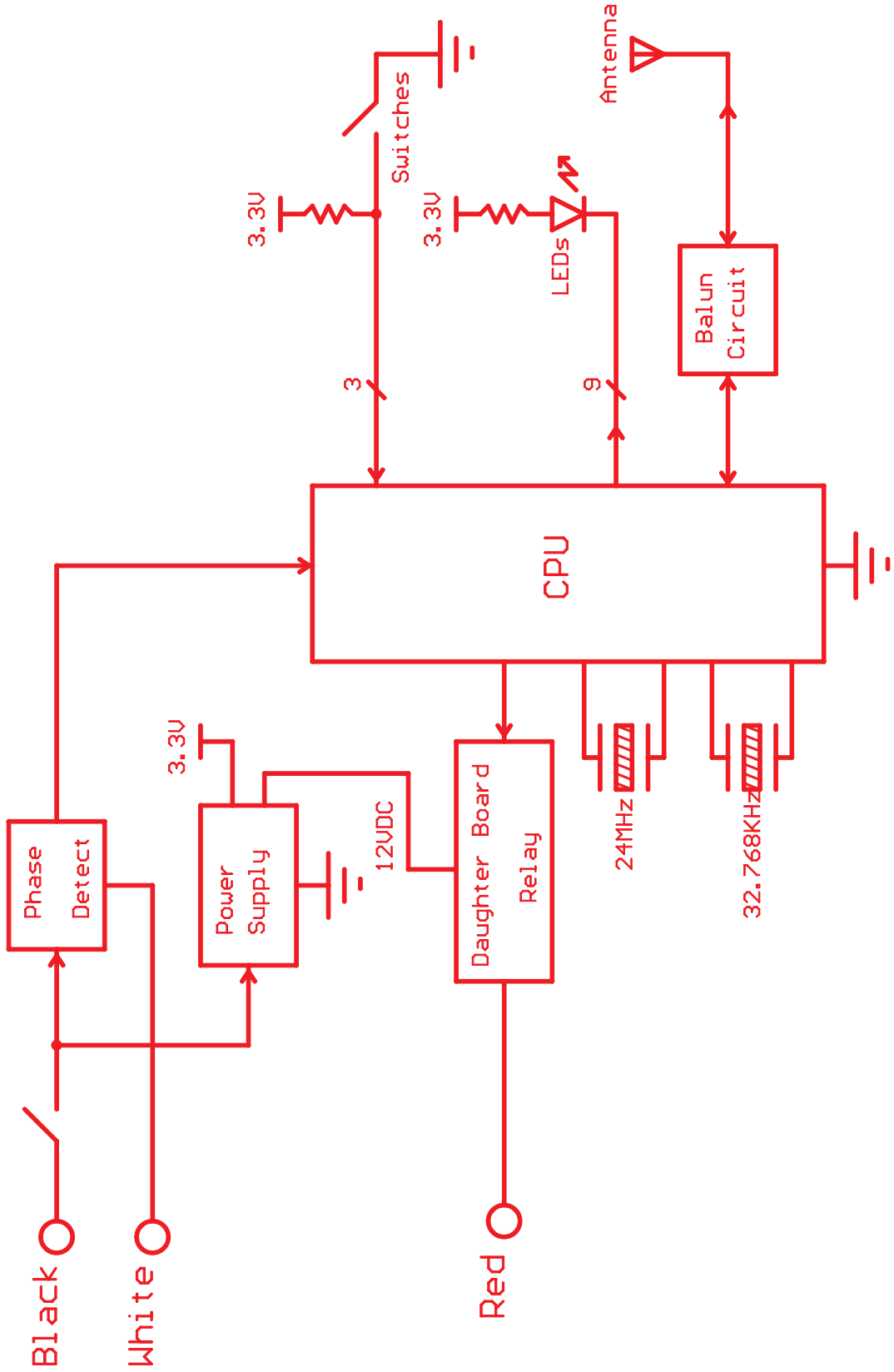
TITLE: HAMMERHEADLM

Document Number:
GuIfStream_HAMMERHEADLM-CSI-2010-1.0-A

REV:
1.0

Date: 9/14/2010 11:23:00a

Sheet: 1/5



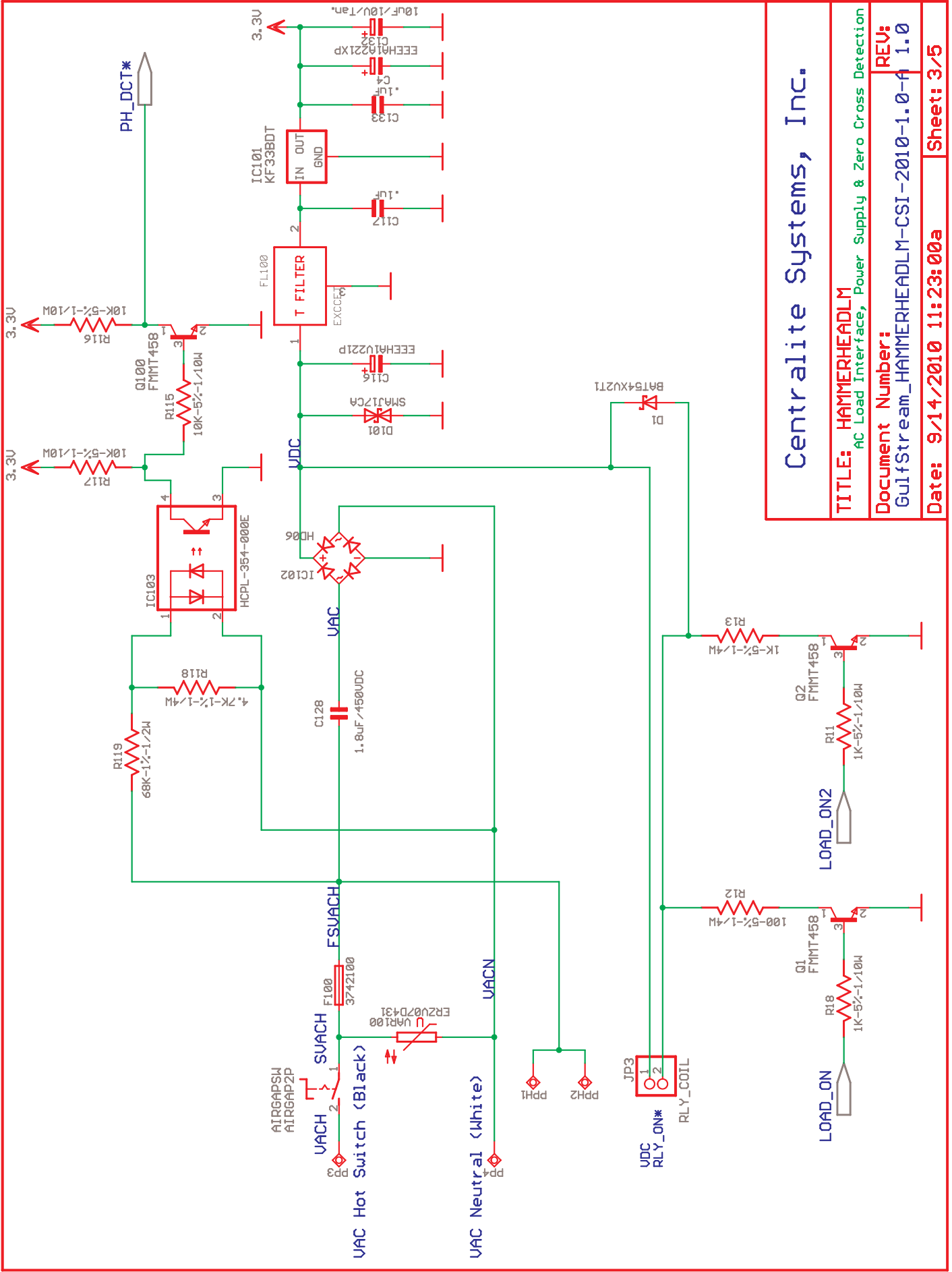
Centralite Systems, Inc.

TITLE: HAMMERHEADLM

Document Number: GulfStream_HAMMERHEADLM-CSI-2010-1.0-f 1.0 REV:

Date: 9/14/2010 11:23:00a

Sheet: 2/5

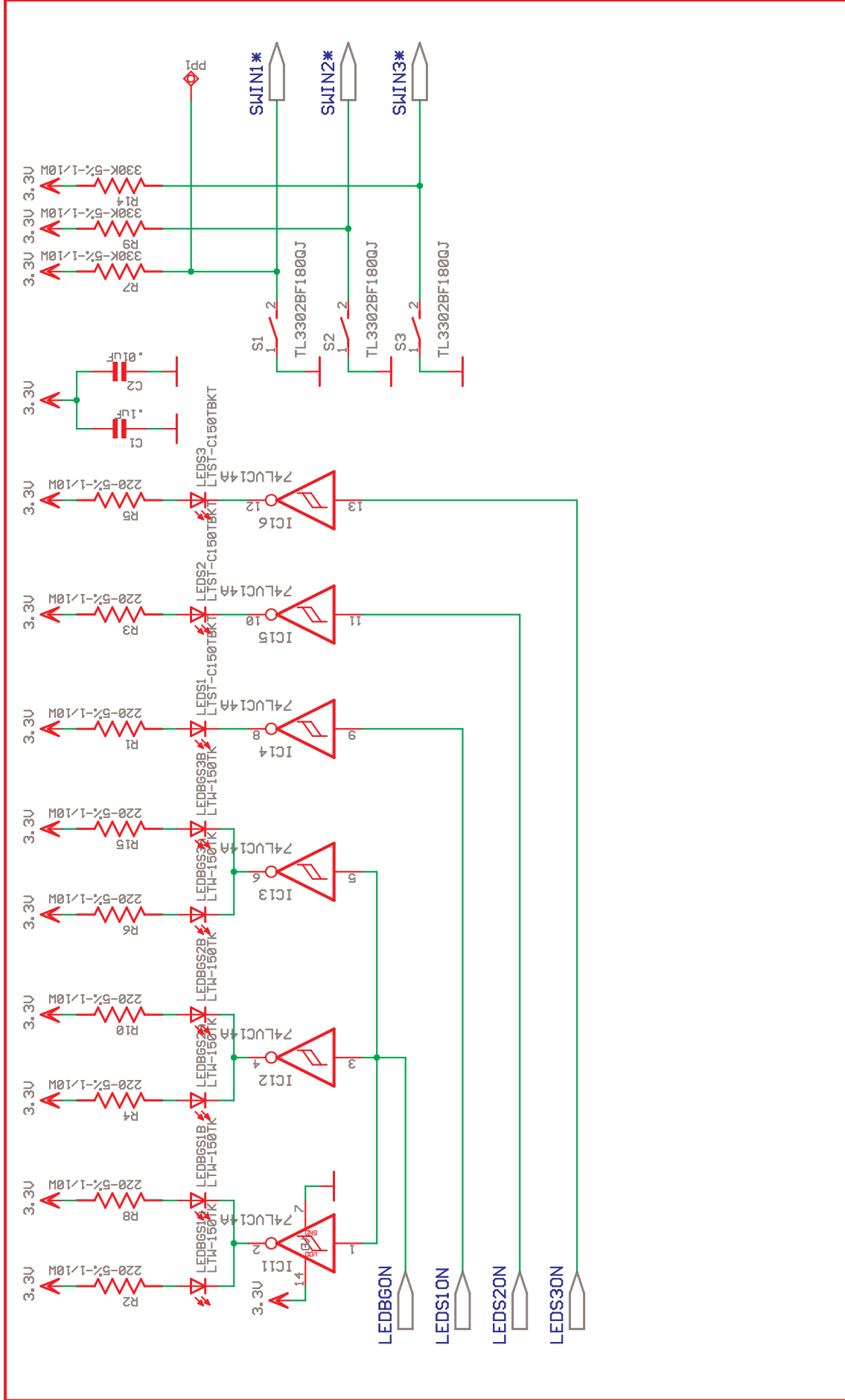


Centralite Systems, Inc.

TITLE: HAMMERHEADLM
AC Load Interface, Power Supply & Zero Cross Detection

Document Number: GulStream_HAMMERHEADLM-CSI-2010-1.0-f
REV: 1.0

Date: 9/14/2010 11:23:00a
Sheet: 3/5



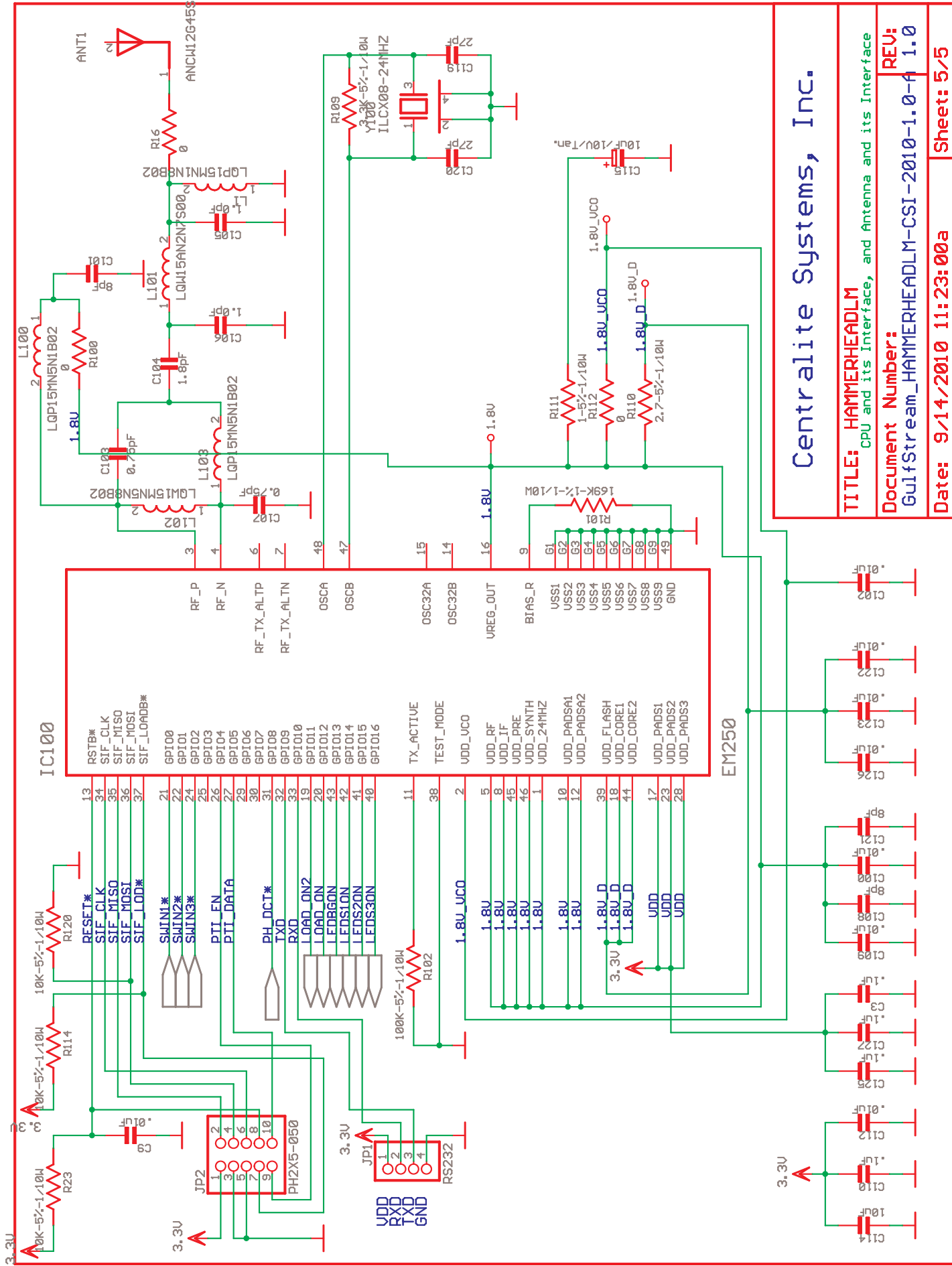
Centralite Systems, Inc.

TITLE: HAMMERHEADLM
Switches, LEDs, IAC and Temperature Sense Circuits

Document Number: GULStream_HAMMERHEADLM-CSI-2010-1.0-**REV:** 1.0

Date: 9/14/2010 11:23:00a

Sheet: 4/5



Centralite Systems, Inc.

TITLE: HAMMERHEADLM
 CPU and its Interface, and Antenna and its Interface
Document Number: GULFStream_HAMMERHEADLM-CSI-2010-1.0-1
REV: 1.0

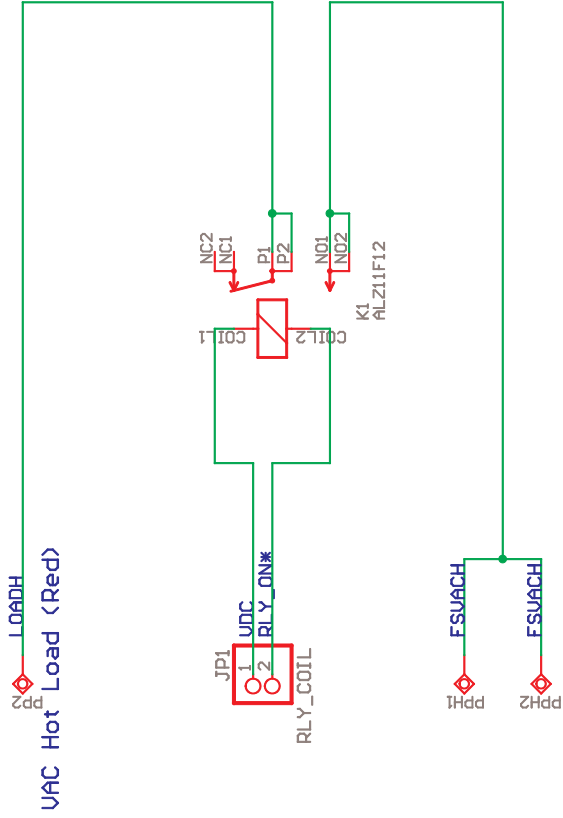
Date: 9/14/2010 11:23:00a

Sheet: 5/5

GuiStream_HAMMERHEAD_DB_ALZ

GuiStream_HAMMERHEAD_DB_ALZ-CSI-2008-1.0-A

Centralite Systems, Inc.	
TITLE: HAMMERHEAD_DB_ALZ	
Document Number: GuiStream_HAMMERHEAD_DB_ALZ-CSI-2008-1.0-A	REV: 1.0-0
Date: 6/30/2008 03:56:30p	Sheet: 1/2



Centralite Systems, Inc.

TITLE: HAMMERHEAD_DB_ALZ

Document Number: **REV:**
 GulfStream_HAMMERHEAD_DB_ALZ-CSI-2008-1.0-0

Date: 6/30/2008 03:56:30p Sheet: 2/2