
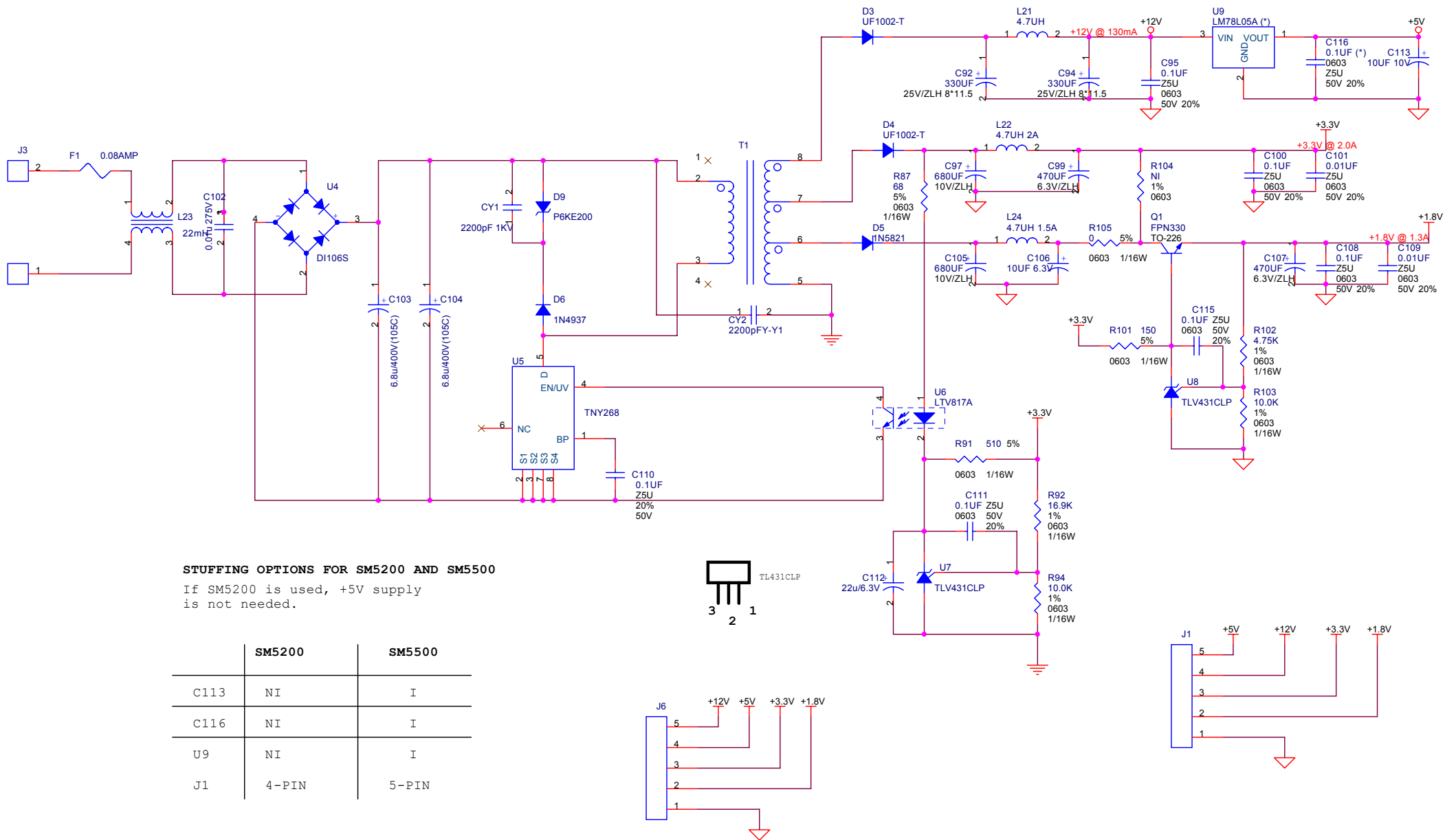


DATE	REVISION	DESCRIPTION
05/25/2005	0.1	INITIAL RELEASE

CONFIDENTIAL

Copyright 2005. Asoka USA Corporation. All Rights Reserved.
 This document contains confidential information of Asoka USA Corporation. In consideration of the receipt of this document, recipient agrees not to reproduce or make this information available in any manner to persons outside the group directly responsible for evaluation of its contents.

 http://www.asokausa.com		Asoka USA Corporation Add: 558 Pilgrim Drive Unit H Foster City, CA 94404 USA Tel: (650) 286-1700 Fax: (650) 286-1790	
Original Issue Approval		Title:	
Drawn by:	Initia	Date	PM8030 POWER SUPPLY Schematic
Checked:	C	Size	Number: SCH-80-8030-011
Approved:		Print Date:	Sheet: 1 of 2

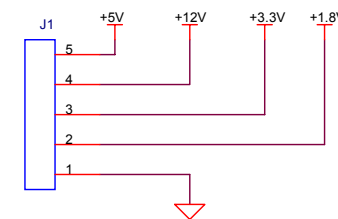
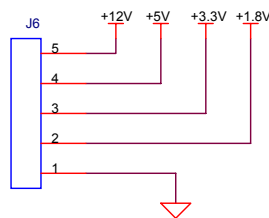
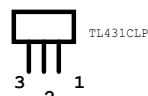


STUFFING OPTIONS FOR SM5200 AND SM5500

If SM5200 is used, +5V supply is not needed.

	SM5200	SM5500
C113	NI	I
C116	NI	I
U9	NI	I
J1	4-PIN	5-PIN

I = Install
NI = Not Install



CONFIDENTIAL

Copyright 2005. Asoka USA Corporation. All Rights Reserved. This document contains confidential information of Asoka USA Corporation. In consideration of the receipt of this document, recipient agrees not to reproduce or make this information available in any manner to persons outside the group directly responsible for evaluation of its contents.

		Asoka USA Corporation	
		Add: 558 Pilgrim Drive Unit H Foster City, CA 94404 USA Tel: (650) 286-1700 Fax: (650) 286-1790	
http://www.asokausa.com		Title: PM8030 POWER SUPPLY Schematic	
Original Issue Approval		Date	
Drawn by:	Checked:	Size C	Number: SCH-80-8030-011
Approved:		Print Date:	Rev