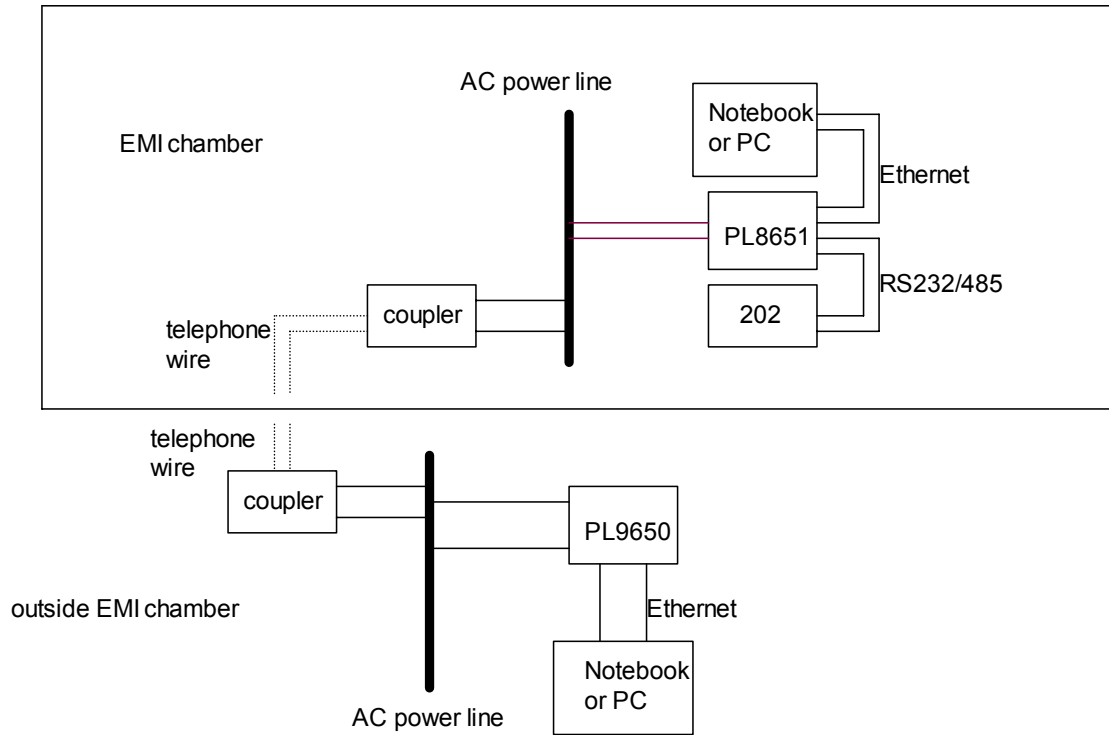


PL8651-RSB EMI test set up



Connect 202 to PL8651-RSB:

