

Antenna Specification

Specifications Summary

ITEM	SPEC.	
Model Name	2.4GHz	
Center Frequency	2402 MHz	4.52dBi
	2442 MHz	4.94dBi
	2484 MHz	4.88dBi
MAX. GAIN	4.94dBi	

ITEM	SPEC.	
Model Name	5 GHz	
Center Frequency	5150 MHz	3.21dBi
	5300 MHz	3.43dBi
	5500 MHz	3.00dBi
	5800 MHz	2.97dBi
MAX. GAIN	3.43 dBi	

Antenna Photo & Length

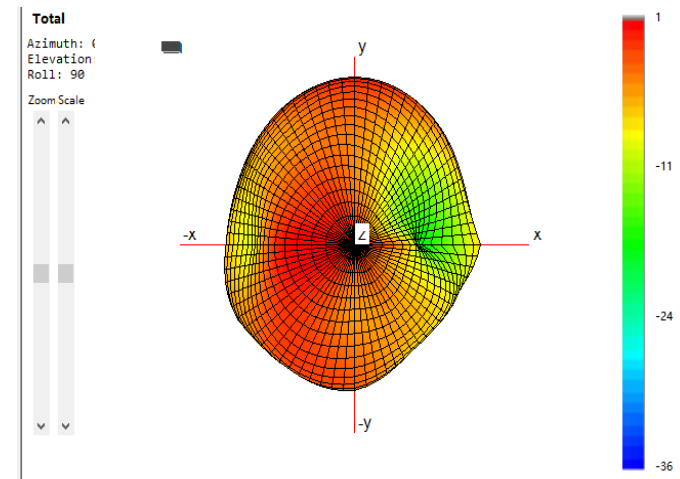
天线类型/ ANT Type: PCB ANT
 天线型号/ ANT Model: T44WHOOKV11A
 制造商/ Manufactury: YEALINK(XIAMEN) NETWORK TECHNOLOGY CO.,LTD.
 No.666 Hu'an Rd. Huli District Xiamen City, Fujian, P.R. China

ANT Photo



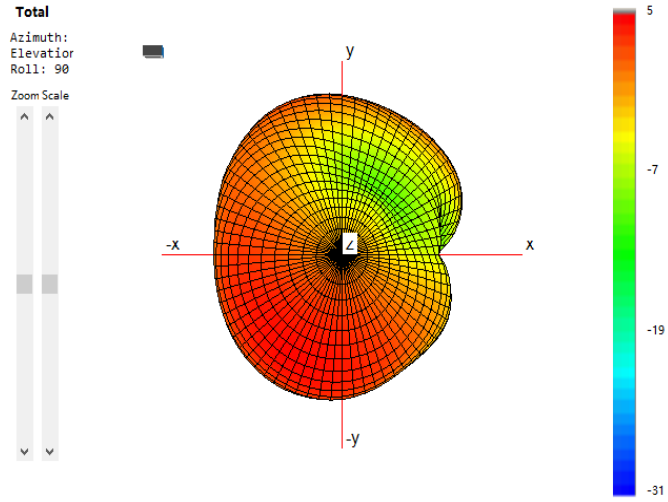
5150MHz

3D Antenna Pattern



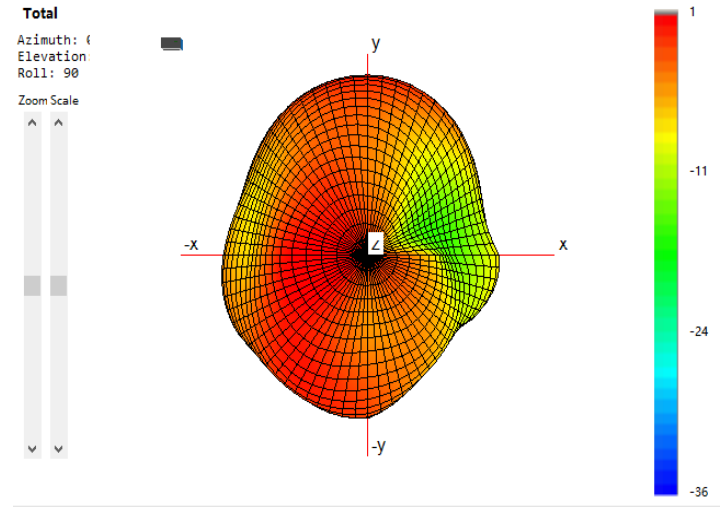
2402MHz

3D Antenna Pattern



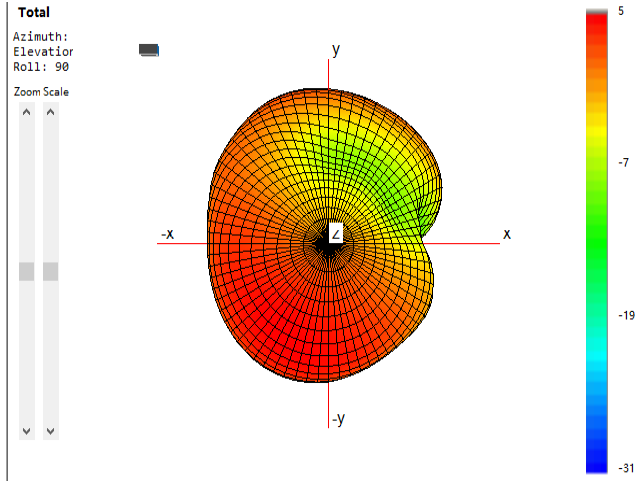
5300MHz

3D Antenna Pattern



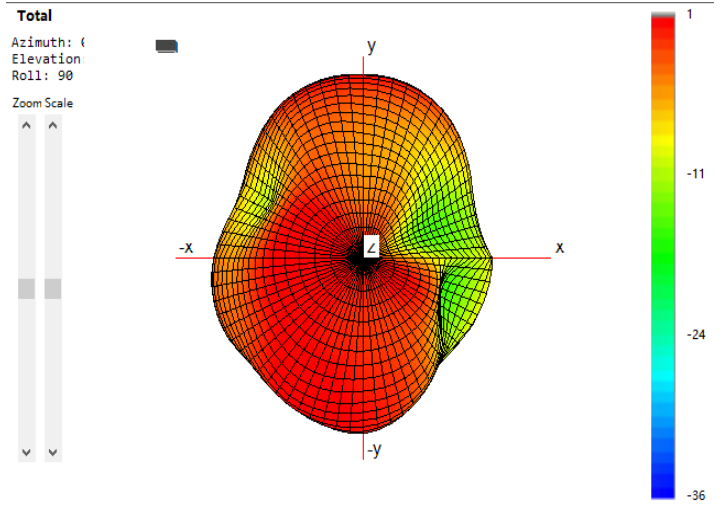
2442MHz

3D Antenna Pattern



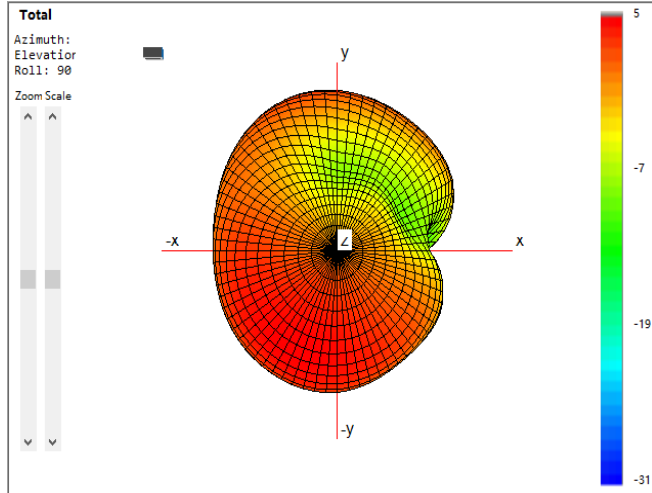
5500MHz

3D Antenna Pattern



2484MHz

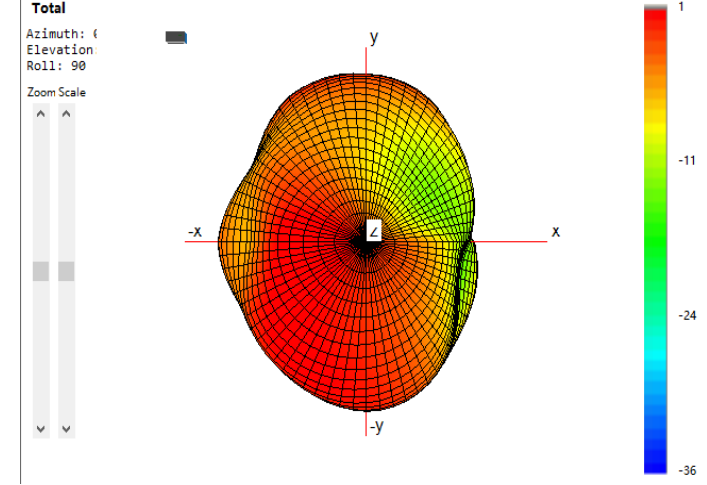
3D Antenna Pattern



Point Values	Minimum Gain (dBi)	Maximum Gain (dBi)	Average Gain (dBi)
Frequency (MHz)			
2402	-15.22937044	4.522778496	-1.395159871
2442	-19.23864204	4.944908243	-1.155760179
2484	-17.55609855	4.883308561	-1.115630888

5800MHz

3D Antenna Pattern



Point Values	Minimum Gain (dBi)	Maximum Gain (dBi)	Average Gain (dBi)
Frequency (MHz)			
5150	-15.89504808	3.209027273	-2.951515108
5300	-15.5815551	3.427728736	-2.767678387
5500	-16.82025302	3.002456556	-3.494040185
5800	-17.80653032	2.974023712	-3.74129379

