

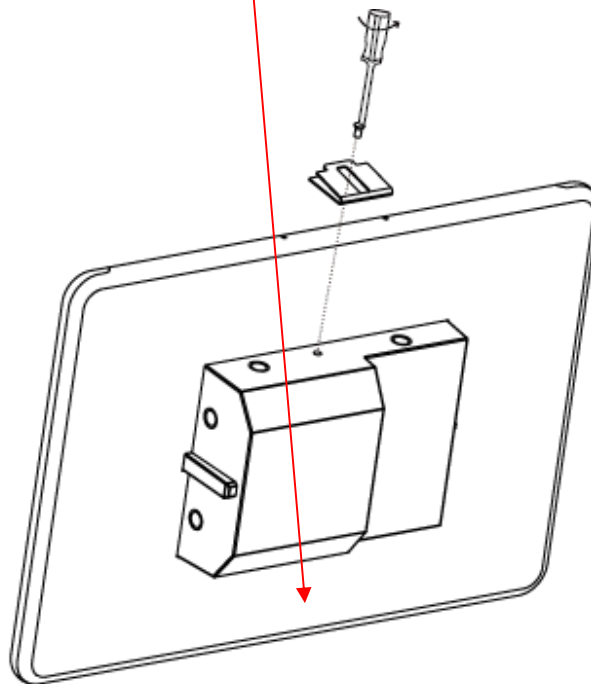
EXHIBIT A - FCC ID LABEL AND LOCATION

FCC ID Label

Room Scheduling Panel This device complies with part 15 of the FCC Rules. Operation is subject to the following two conditions: (1) this device may not cause harmful interference, and (2) this device must accept any interference received, including interference that may cause undesired operation. FCC ID: T2C-ROOMPANELE2.IC: 10741A-ROOMPANELE2 Complies with CAN ICES-3(B)/NMB-3(B) Input: 12V $\overline{=}$ 1.25A or PoE(af) 48V $\overline{=}$ 0.27A	Model: RoomPanel E2 YEALINK NETWORK TECHNOLOGY CO., LTD. No.666 Hu'an Rd. Huli District Xiamen City, Fujian, P.R. China YEALINK (EUROPE) NETWORK TECHNOLOGY B.V. Keizersgracht 62,1015CS Amsterdam YEALINK (USA) NETWORK TECHNOLOGY CO., LTD. 999 Peachtree Street Suite 2300, Fulton, Atlanta, GA, 30309, USA Made in China
--	---

CE FCC RoHS 20

FCC ID Label Location Information



The label shown shall be permanently affixed at a conspicuous location on the device and be readily visible to the user at the time purchase (Labeling requirements per 2.925)