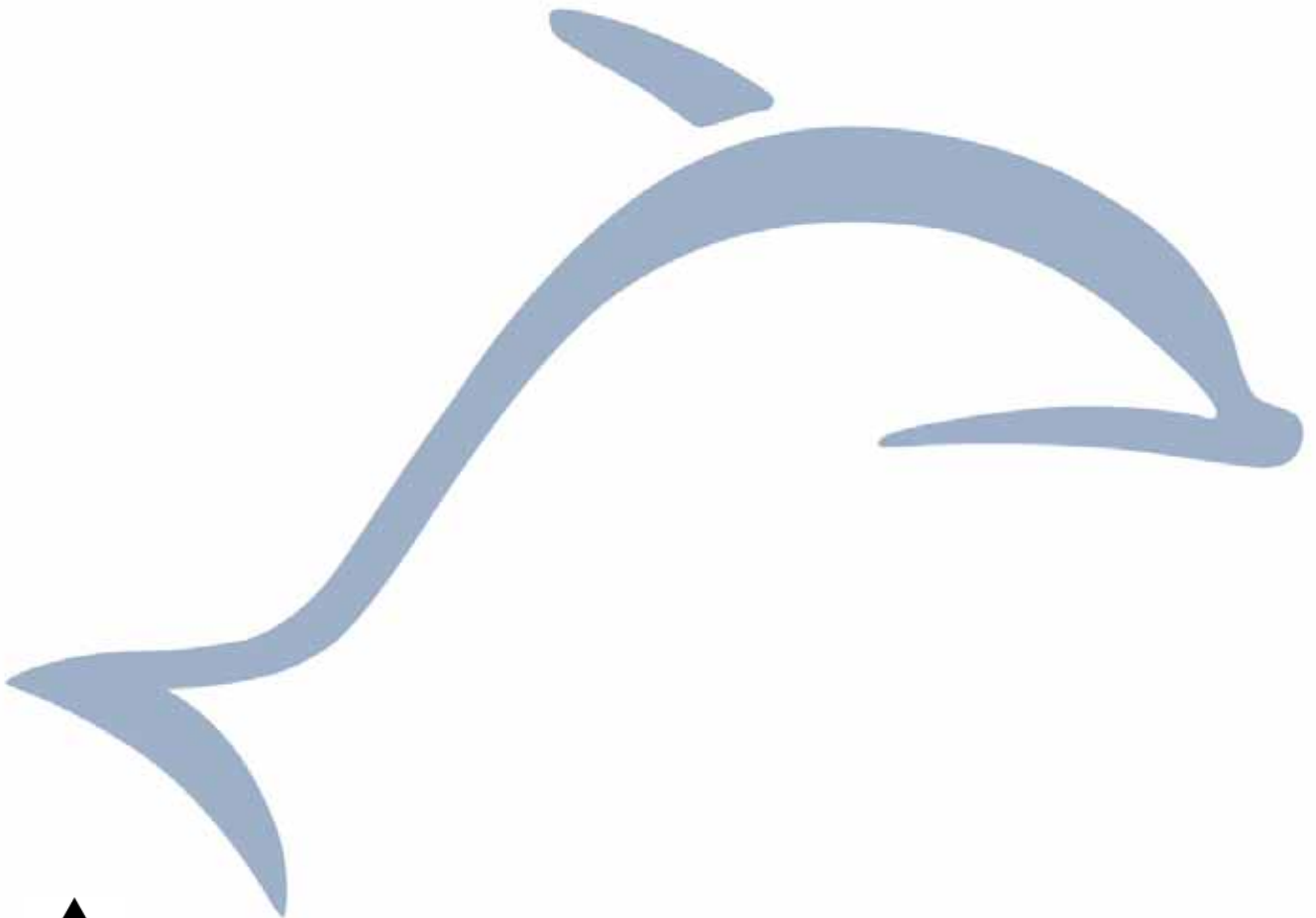


Scavenger Transmitter Module STM 31x / STM 31xC

September 7, 2010



Observe precautions! Electrostatic sensitive devices!

Patent protected:

WO98/36395, DE 100 25 561, DE 101 50 128,
WO 2004/051591, DE 103 01 678 A1, DE 10309334,
WO 04/109236, WO 05/096482, WO 02/095707,
US 6,747,573, US 7,019,241

REVISION HISTORY

The following major modifications and improvements have been made to the first version of this document:

No	Major Changes
0.5	Initial version
0.6	New drawings added, Agency approvals added

Published by EnOcean GmbH, Kolpingring 18a, 82041 Oberhaching, Germany
 www.enocean.com, info@enocean.com, phone ++49 (89) 6734 6890

© EnOcean GmbH
 All Rights Reserved

Important!

This information describes the type of component and shall not be considered as assured characteristics. No responsibility is assumed for possible omissions or inaccuracies. Circuitry and specifications are subject to change without notice. For the latest product specifications, refer to the EnOcean website: <http://www.enocean.com>.

As far as patents or other rights of third parties are concerned, liability is only assumed for modules, not for the described applications, processes and circuits.

EnOcean does not assume responsibility for use of modules described and limits its liability to the replacement of modules determined to be defective due to workmanship. Devices or systems containing RF components must meet the essential requirements of the local legal authorities.

The modules must not be used in any relation with equipment that supports, directly or indirectly, human health or life or with applications that can result in danger for people, animals or real value.

Components of the modules are considered and should be disposed of as hazardous waste. Local government regulations are to be observed.

Packing: Please use the recycling operators known to you. By agreement we will take packing material back if it is sorted. You must bear the costs of transport. For packing material that is returned to us unsorted or that we are not obliged to accept, we shall have to invoice you for any costs incurred.

TABLE OF CONTENT

1	GENERAL DESCRIPTION	4
1.1	Basic functionality	4
1.2	Technical data	5
1.3	Physical dimensions.....	5
1.4	Environmental conditions	7
1.5	Ordering Information	7
2	FUNCTIONAL DESCRIPTION.....	8
2.1	Simplified firmware flow chart and block diagram	8
2.2	Pin out.....	9
2.3	Pin description and operational characteristics	10
2.3.1	Interface supply voltage.....	11
2.3.2	Analog and digital inputs	12
2.4	Absolute maximum ratings (non operating)	12
2.5	Maximum ratings (operating).....	12
2.6	Power management and voltage regulators	13
2.7	Configuration	13
2.7.1	Configuration via pins	13
2.7.2	Configuration via serial interface	15
2.8	Radio telegram	16
2.8.1	Normal operation	16
2.8.2	Teach-in telegram	17
2.9	Transmit timing	17
2.10	Charging circuitry	18
2.11	Energy consumption	18
3	APPLICATIONS INFORMATION	20
3.1	Using the WAKE pins	20
3.2	Antenna options.....	22
3.2.1	Whip antenna (STM 310, STM 310C, STM 312, STM 312C)	22
3.2.2	Helical antenna (STM 311, STM 311C)	23
3.3	Transmission range	24
4	AGENCY CERTIFICATIONS.....	25
4.1	CE Approval.....	25
4.2	FCC (United States) certification	26
4.3	IC (Industry Canada) certification.....	28

1 GENERAL DESCRIPTION

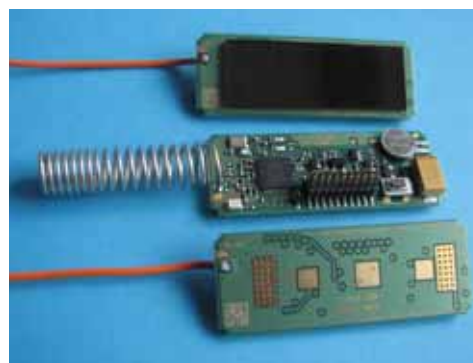
1.1 Basic functionality

The extremely power saving RF transmitter module STM 31x of EnOcean enables the realization of a wide range of wireless and maintenance free sensors such as temperature sensors, humidity sensors, or room operating panels.

Power supply is provided by a small solar cell, an external energy harvester, or an external 3V battery. An energy storage is installed to bridge periods with no supply from the energy harvester. The module provides a user configurable cyclic wake up.

After wake up the external sensors are supplied and after a configurable delay (default 2ms) the internal microcontroller reads the status of the connected sensors. A radio telegram will be transmitted in case of a change of any digital input value compared to the last sending or in case of a significant change of measured analogue values.

In case of no relevant input change a redundant retransmission signal is sent after a user configurable number of wake-ups to announce all current values. In addition to the cyclic wake-up, a wake up can be triggered externally using a wake input or the internal LRN button.



Features with built-in firmware

- Pre-installed solar cell (except STM 312/STM 312C)
- On-board energy storage and charging circuit
- On-board LRN button
- On-board TX indicator LED
- 20 pin connector for external sensors
- 3 A/D converter inputs
- 3 digital inputs
- Configurable wake-up and transmission cycle
- Wake-up via Wake pins or LRN button

Product variants

- STM 310/310C: Variant including solar cell and whip antenna
- STM 311/311C: Variant including solar cell and helical antenna
- STM 312/312C: Variant including whip antenna but no pre-installed solar cell

Features accessible via API

Using the Dolphin API library it is possible to write custom firmware for the module. The API provides:

- Integrated 16 MHz 8051 CPU with 32 KB FLASH and 2 kB SRAM
- Various power down and sleep modes down to typ. 0.2 μ A current consumption
- Up to 13 configurable I/Os
- 10 bit ADC, 8 bit DAC

STM 31X / STM 31XC

1.2 Technical data

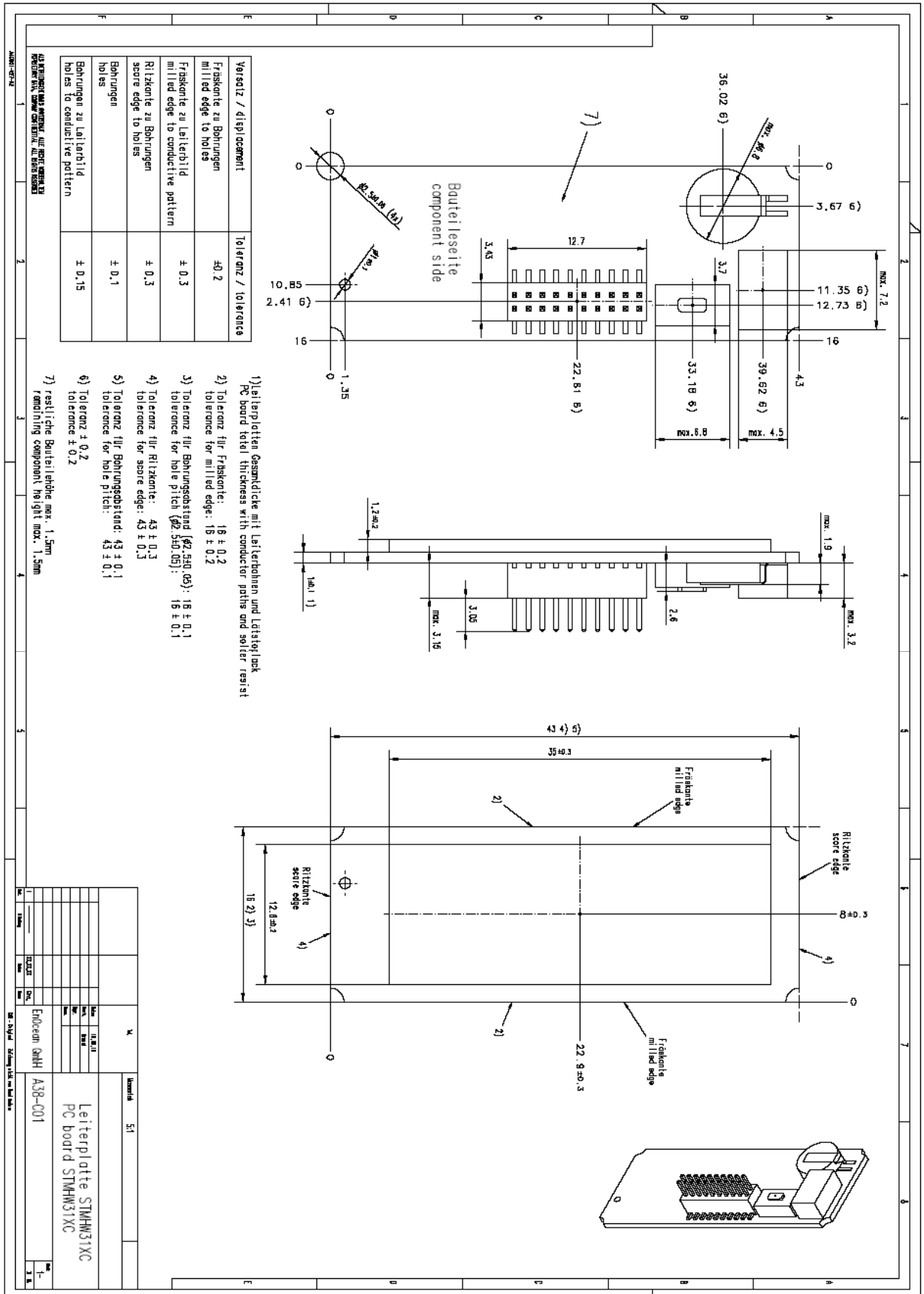
Antenna	whip or helical antenna installed
Frequency	315.0 MHz (STM 31xC)/868.3 MHz (STM 31x)
Radio Standard	EnOcean 868 MHz/315 MHz
Data rate/Modulation type	125 kbps/ASK
Conducted Output Power	typ. 2 dBm
Power Supply @ VDD	Pre-installed solar cell (except STM312 / STM312C) Illumination 50-100000 lux 2.1 V–5.0 V, 2.6 V needed for start-up
Initial operation time in darkness @ 25°C	typ. 4 days, energy storage fully charged, wake-up every 100 s, transmission of telegram every 1000 s on average ¹
Operation start up time with empty energy store	typ. 2.5 min @ 400 lux / 25°C incandescent or fluorescent light
Input Channels	3x digital input, 2x WAKE input, 3x analog input Resolution: 3x 8 bit or 1x 10 bit, 1x 8 bit, 1x 6 bit
Radio Regulations	R&TTE EN 300 220 (STM 31x) FCC CFR-47 Part 15 (STM 31xC)

1.3 Physical dimensions

PCB dimensions	43±0.2 x 16±0.3 x 1±0.1 mm
Module height	9 mm
Weight	3.3g (STM 312) – 6.2g (STM 311C), depending on variant

¹ Full performance of the PAS614L energy storage is achieved after a few days of operation at good illumination level. Performance degrades over life time, especially if energy storage is exposed to higher temperatures. Each 10K drop in temperature doubles the expected life span.

STM 31X / STM 31XC



1.4 Environmental conditions

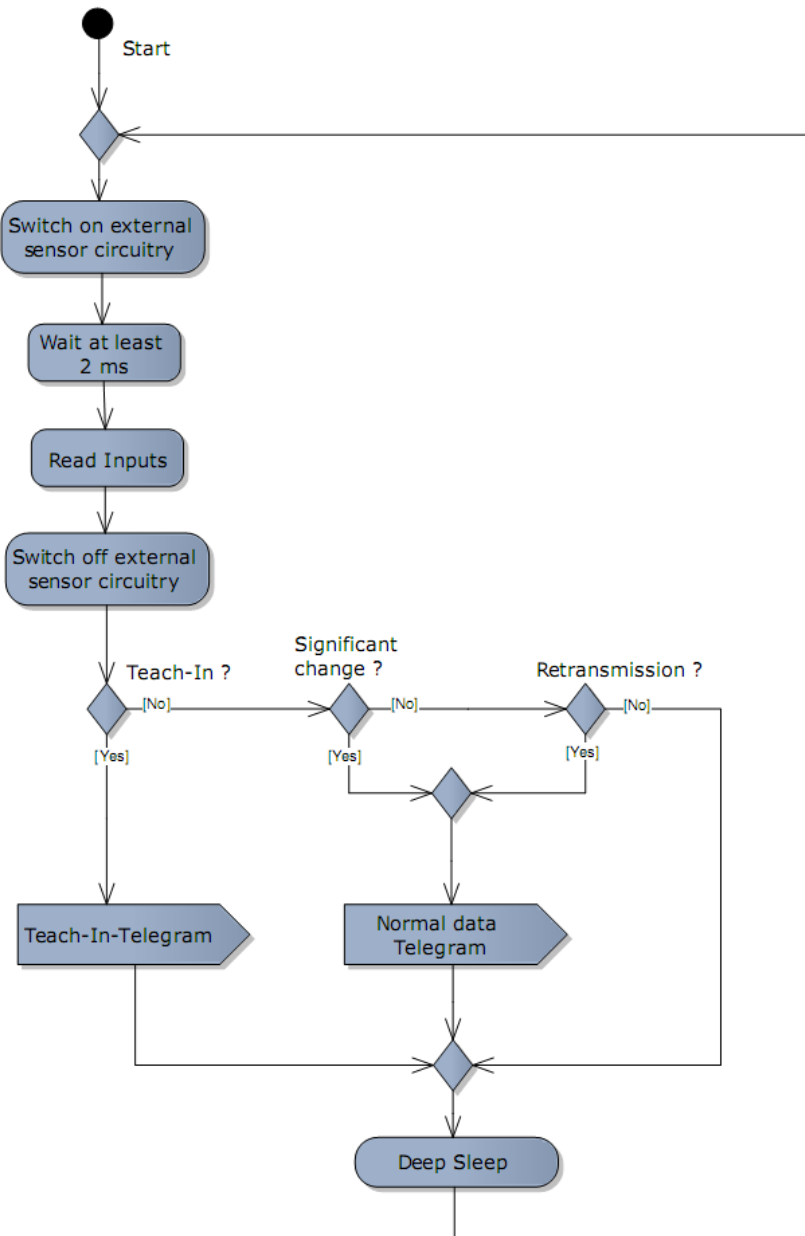
Operating temperature	-20 °C ... +60 °C
Storage temperature	-20 °C ... +60 °C
Humidity	0% ... 93% r.h., non-condensing

1.5 Ordering Information

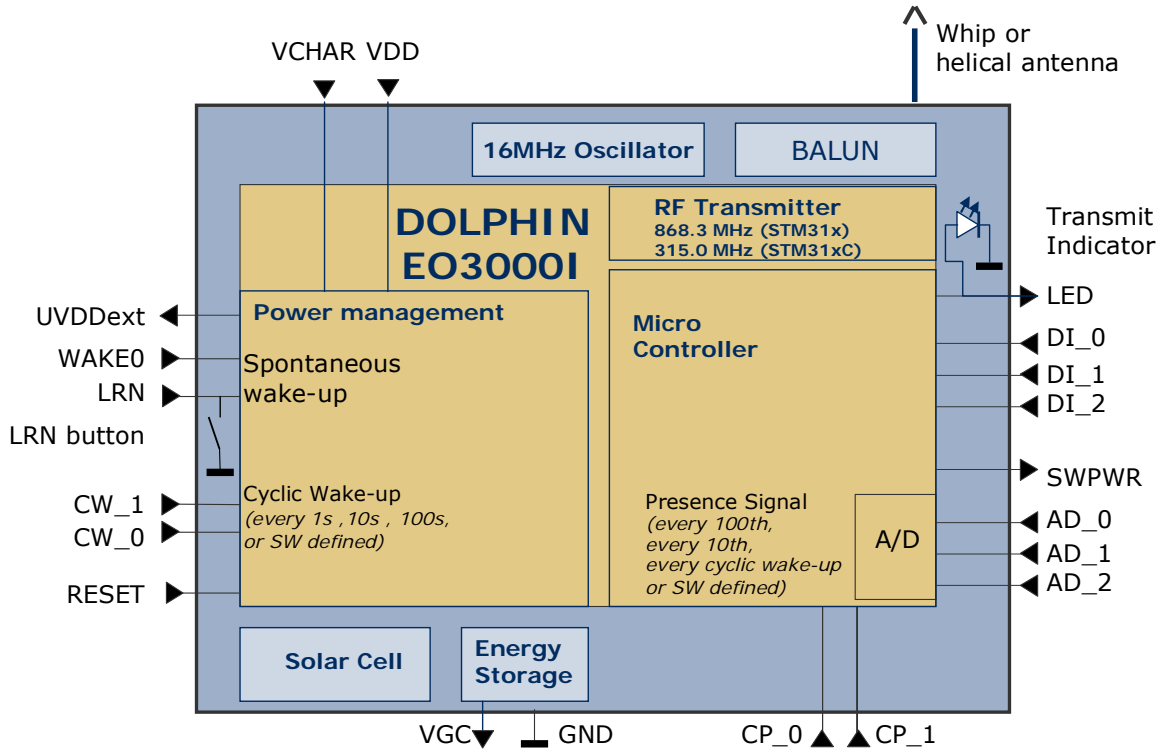
Type	Ordering Code	Frequency
STM 310	S3001-D310	868.3 MHz
STM 311	S3001-D311	868.3 MHz
STM 312	S3001-D312	868.3 MHz
STM 310C	S3031-D310	315.0 MHz
STM 311C	S3031-D311	315.0 MHz
STM 312C	S3031-D312	315.0 MHz

2 FUNCTIONAL DESCRIPTION

2.1 Simplified firmware flow chart and block diagram

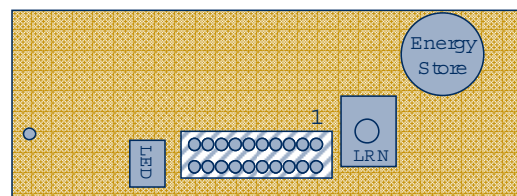


STM 31X / STM 31XC



2.2 Pin out

UVDDext	1	2	WAKE0
WAKE1	3	4	VGC
GND	5	6	VCHAR
PROG_EN	7	8	SWPWR
ADIO0	9	10	ADIO3
ADIO1	11	12	ADIO4
ADIO2	13	14	ADIO6
RESET	15	16	ADIO7
RSDADIO3	17	18	SCLKDIO1
WSDADIO2	19	20	SCSEDIO0



The figure above shows the pin out of the STM 31x hardware. The pins are named according to the naming of the EO3000I chip to simplify usage of the DOLPHIN API. The table in section 2.3 shows the translation of hardware pins to a naming that fits the functionality of the built-in firmware.

2.3 Pin description and operational characteristics

STM 31x Hardware Symbol	STM 31x Firmware Symbol	Function	Characteristics
GND	GND	Ground connection	
VDD	VDD	Supply voltage	2.1 V – 5.0 V; Start-up voltage: 2.6 V Maximum ripple: see 2.6 Connection of external 3 V battery possible
VCHAR	VCHAR	Charging input	Input for external energy harvester (for use in STM 312). See 2.10.
VGC	VGC	Voltage Gold Cap	Connection of additional external energy storage or battery possible. See 2.10.
SWPWR (= switched DVDD)	SWPWR	DVDD supply voltage regulator output switched via transistor controlled by EO3000I WXIDIO pin.	1.8 V. Output current: max. 5 mA. Supply for external circuitry, available while not in deep sleep mode. SWPWR is switched on 2ms (default) before sampling of inputs and is switched off afterwards. The delay time can be configured, see 2.7.2 (needed for stabilization of sensors)
UVDDext (=UVDD with 1.8MΩ in series)	UVDD	Ultra low power supply voltage regulator output	Not for supply of external circuitry! For use with WAKE pins only, see section 3.1. Limited to max. 1 μA output current by internal 1.8 MΩ resistor!
IOVDD (not available at pin connector)	IOVDD	Digital interface supply voltage	Internal connection to EO3000I DVDD (typ. 1.8 V) See 2.3.1.
RESET	RESET	Reset input Programming I/F	Active high reset (1.8 V) Fixed internal 10 kΩ pull-down.
PROG_EN	PROG_EN	Programming I/F	HIGH: programming mode active LOW: operating mode Digital input, fixed internal 10 kΩ pull-down.
ADIO0	AD_0	Analog input	Input read ~2 ms after wake-up. Resolution 8 bit. See also 2.7.2.
ADIO1	AD_1	Analog input	Input read ~2 ms after wake-up. Resolution 8 bit (default) or 10 bit. See 2.7.2.
ADIO2	AD_2	Analog input	Input read ~2 ms after wake-up. Resolution 8 bit (default) or 6 bit. See 2.7.2.
ADIO3	DI_0	Digital input	Input read ~2 ms after wake-up. See 2.7.2. Internal pull-up
ADIO4	DI_1	Digital input	Input read ~2 ms after wake-up. See 2.7.2. Internal pull-up

ADIO6	DI_2	Digital input	Input read ~2 ms after wake-up. See 2.7.2. Internal pull-up
ADIO7	LED	Transmission indicator LED	Flashes during radio transmission. Active LOW.
		Programming I/F	
SCSEDIO0	CW_1	Encoding input for wake-up cycle	Configuration interface. Leave open or connect to GND. See 2.7.1. Internal pull-up
		Programming I/F	
SCLKDIO1	CW_0	Encoding input for wake-up cycle	Configuration interface. Leave open or connect to GND. See 2.7.1. Internal pull-up
		Programming I/F	
WSDADIO2	CP_1	Encoding input for retransmission	Configuration interface. Leave open or connect to GND. See 2.7.1. Internal pull-up
		Programming I/F	
RSDADIO3	CP_0	Encoding input for retransmission	Configuration interface. Leave open or connect to GND. See 2.7.1. Internal pull-up
		Programming I/F	
WAKE0	WAKE0	Wake input	Change of logic state leads to wake-up and transmission of a telegram. Must be connected to UVDDext or GND! At time of delivery WAKE0 is connected to UVDDext via a jumper at the connector. See also 3.1.
WAKE1	LRN	LRN input	Change of logic state to LOW leads to wake-up and transmission of teach-in telegram. Internal pull-up to UVDD. See also 2.7.2, 2.8.2, and 3.1.

2.3.1 Interface supply voltage

The IOVDD pin of EO3000I is internally connected to DVDD. For digital communication with other circuitry therefore a voltage of 1.8 V has to be used. While the module is in deep sleep mode the microcontroller with all its peripherals is switched off and DVDD, IOVDD, and SWPWR are not supplied.



If DVDD=0 V and IOVDD is not supplied (e.g. while in sleep mode), do not apply voltage to ADIO0 to ADIO7 and the pins of the serial interface (SCSEDIO0, SCLKDIO1, WSDADIO2, RSDADIO3). This may lead to unpredictable malfunction of the device.



For I/O pins configured as analog pins the IOVDD voltage level is not relevant! See also 2.3.2.

2.3.2 Analog and digital inputs

Parameter	Conditions / Notes	Min	Typ	Max	Units
Analog Input					
Measurement range	Single ended	0.05		RVDD-0.05	V
Input coupling			DC		
Measurement bandwidth			100		kHz
Input resistance	Single ended against RGND @ 1 kHz	10			MΩ
Input capacitance	Single ended against RGND @ 1 kHz			10	pF
Effective measurement resolution	Configurable, see 2.7.2	6		10	bit
Relative measurement accuracy	Related to the reference voltage within specified input range			0.6	%
Digital Input Mode					
Input HIGH voltage		2/3 IOVDD			V
Input LOW voltage				1/3 IOVDD	V
Pull up resistor	@IOVDD=1.7 ... 1.9 V	90	132	200	kΩ

2.4 Absolute maximum ratings (non operating)

Symbol	Parameter	Min	Max	Units
VDD	Supply voltage at VDD	-0.5	5.5	V
VGC	Voltage gold cap	1.5	3.3	V
VCHAR	Supply voltage from external energy harvester	0	6	V
GND	Ground connection	0	0	V
VINA	Voltage at every analog input pin	-0.5	2	V
VIND	Voltage at RESET, WAKE0/1, and every digital input	-0.5	3.6	V

2.5 Maximum ratings (operating)

Symbol	Parameter	Min	Max	Units
VDD	Supply voltage at VDD and VDDLIM	2.1	5.0	V
VGC	Voltage gold cap	1.5	3.3	V
VCHAR	Supply voltage from external energy harvester	0	6	V
ICHAR	Supply current from external energy harvester Continuous Short term (<10 min)		50 1	μA mA
GND	Ground connection	0	0	V
VINA	Voltage at every analog input pin	0	2.0	V
VIND	Voltage at RESET, WAKE0/1, and every digital input	0	3.6	V

2.6 Power management and voltage regulators

Symbol	Parameter	Conditions / Notes	Min	Typ	Max	Units
Voltage Regulators						
VDDR	Ripple on VDD, where $\text{Min}(VDD) > VON$				50	mV _{pp}
UVDD	Ultra Low Power supply			1.8		V
RVDD	RF supply	Internal signal only	1.7	1.8	1.9	V
DVDD	Digital supply	Internal signal only	1.7	1.8	1.9	V
Threshold Detector						
VON	Turn on threshold		2.3	2.45	2.6	V
VOFF	Turn off threshold	Automatic shutdown if VDD drops below VOFF	1.85	1.9	2.1	V

Threshold detector

STM 31x provides an internal ultra low power ON/OFF threshold detector. If $VDD > VON$, it turns on the ultra low power regulator (UVDD), the watchdog timer and the WAKE# pins circuitry. If $VDD \leq VOFF$ it initiates the automatic shut down of STM 31x. For details of this mechanism please refer to the Dolphin Core Description documentation.

2.7 Configuration

2.7.1 Configuration via pins

The encoding input pins have to be left open or connected to GND in correspondence with the following connection schemes. These settings are checked at every wake-up.

Wake-up cycle time

CW_0	CW_1	Wake-up cycle time
NC	GND	1 s $\pm 20\%$
GND	NC	10 s $\pm 20\%$
NC	NC	100 s $\pm 20\%$
GND	GND	No cyclic wake-up

Redundant retransmission

Via CP_0 and CP_1 an internal counter is set which is decreased at every wake-up signal. Once the counter reaches zero the redundant retransmission signal is sent.

CP_0	CP_1	Number of wake-ups that trigger a redundant retransmission
GND	NC	Every timer wake-up signal
NC	NC	Every 7 th - 14 th timer wake-up signal, affected at random
NC	GND	Every 70 th - 140 th timer wake-up signal, affected at random
GND	GND	No redundant retransmission



A radio telegram is always transmitted after wake-up via WAKE pins!
After transmission the counter is reset to a random value within the specified interval.



According to FCC 15.231a) a redundant retransmission at every timer wake-up to determine the system integrity is only allowed in safety and security applications!
In this case the total transmission time must not exceed two seconds per hour, which means that a combination with a 1 s wake-up cycle time is not allowed!

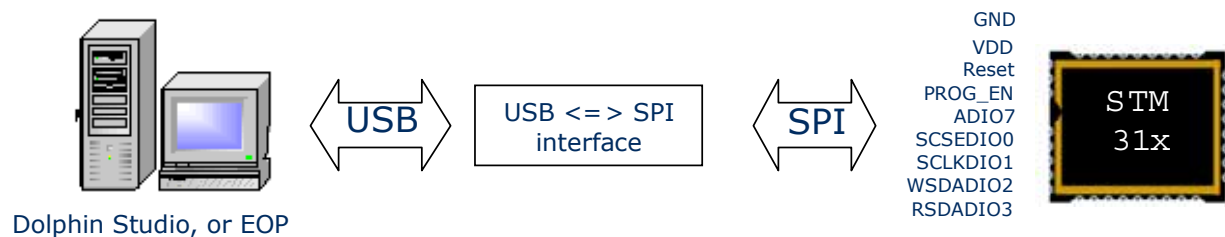
If applied in other (non-safety, non-security) applications a minimum of 10 s between periodic transmissions is required. In addition the device has to comply with the lower field strength limits of 15.231e). The limited modular approval of STM 31xC is not valid in this case.

2.7.2 Configuration via serial interface

Via the programming interface the configuration area can be modified. This provides a lot more configuration options. Values set via serial interface override hardware settings! These settings are read after RESET or power-on reset only and not at every wake-up of the module!

Parameter	Configuration via pins	Configuration via serial interface
Wake up cycle	See section 2.7.1	Value can be set from 1 s to 65534 s
Redundant Retransmission cycle	See section 2.7.1	Min...Max values for random interval If Min=Max -> random switched off
Threshold values for analog inputs (transmission of telegram if threshold value exceeded)	No	The default values are: 5 LSB at AD_1 input, 6 LSB at AD_0 and 14 LSB at AD_2. The threshold value can be set between 0 and full scale for every input individually.
Resolution of the analog inputs	No	Default: AD_0: 8 bit, AD_1: 8 bit, AD_2: 8 bit Option: AD_0: 10 bit, AD_1: 6 bit, AD_2: 8 bit
Input mask	No	A digital input mask for ignoring changes on digital input pins. At default all input bits are checked.
Delay time between SWPWR on and sampling moment (for stabilization of external sensor measurement values)	No	Value can be set from 0 ms to 508 ms in steps of 2 ms. Default delay time is 2 ms.
Source of AD_2	No	Select if AD_2 contains measurement value of external ADIO2 pin or from internal VDD/4
Edge of wake pin change causing a telegram transmission	No	Every change of a wake pin triggers a wake-up. For both wake pins it can be configured individually if a telegram shall be sent on rising, falling or both edges.
Manufacturer ID and EEP (EnOcean Equipment Profile)	No	Information about manufacturer and type of device. This feature is needed for "automatic" interoperability of sensors and actuators or bus systems. Unique manufacturer IDs are distributed by the EnOcean Alliance.

The interface is shown in the figure below:



EnOcean provides EOPx (EnOcean Programmer, a command line program) and Dolphin Studio (Windows application for chip configuration, programming, and testing) and the USB/SPI programmer device as part of the EDK 300 developer’s kit.

2.8 Radio telegram

2.8.1 Normal operation

Telegram content (seen at serial interface of RCM 130/TCM 3x0 or at DOLPHIN API):

ORG = 0x07 (Telegram type “4BS”)

Data_Byte1..3
3x8bit mode:

- DATA_BYTE3 = Value of AD_2 analog input
- DATA_BYTE2 = Value of AD_1 analog input
- DATA_BYTE1 = Value of AD_0 analog input

1x8bit, 1x6bit, 1x10bit mode:

- DATA_BYTE3 = Value of AD_2
- DATA_BYTE2 = Upper 2 bits of AD_0 and value of AD_1
- DATA_BYTE1 = Lower 8 bits Value of AD_0 analog input

DATA_BYTE3								DATA_BYTE2				DATA_BYTE1											
AD_2								AD_1				AD_0											
7	6	5	4	3	2	1	0	5	4	3	2	1	0	9	8	7	6	5	4	3	2	1	0

DATA_BYTE0 = Digital sensor inputs as follows:

Bit 7	Bit 6	Bit 0
Reserved, set to 0	DI_3=1	DI_2 DI_1 DI_0

- ID_BYTE3 = module identifier (Byte3)
- ID_BYTE2 = module identifier (Byte2)
- ID_BYTE1 = module identifier (Byte1)
- ID_BYTE0 = module identifier (Byte0)

The voltages measured at the analog inputs can be calculated from these values as follows:

$$U = (\text{Value of AD}_x) / (2^n) \times 1.8 \text{ V} \quad n = \text{resolution of channel in bit}$$



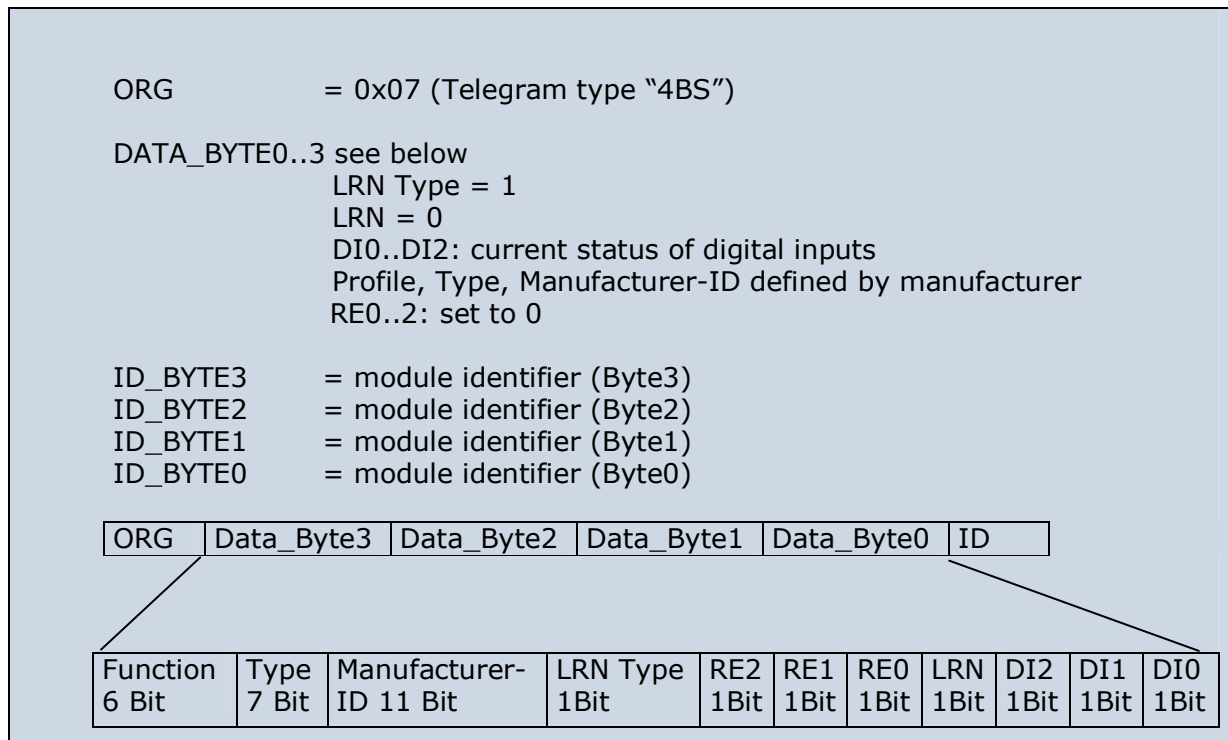
Please note the limitations in the measurement range of the A/D converter as shown in 2.3.2.

2.8.2 Teach-in telegram

In case of a wake-up via WAKE1 pin (LRN input) the module transmits a teach-in telegram.

- If the manufacturer code is not set, the module transmits a normal telegram according to 2.8.1 with the difference that DI_3=0.
- If a manufacturer code is set, this teach-in telegram contains special information as described below.

With this special teach-in telegram it is possible to identify the manufacturer of a device and the function and type of a device. There is a list available from the EnOcean Alliance describing the functionalities of the respective products.



2.9 Transmit timing

The setup of the transmission timing allows avoiding possible collisions with data packages of other EnOcean transmitters as well as disturbances from the environment. With each transmission cycle, 3 identical subtelegrams are transmitted within 40 ms. The transmission of a subtelegram lasts approximately 1.2 ms. The delay between the three transmission bursts is affected at random.

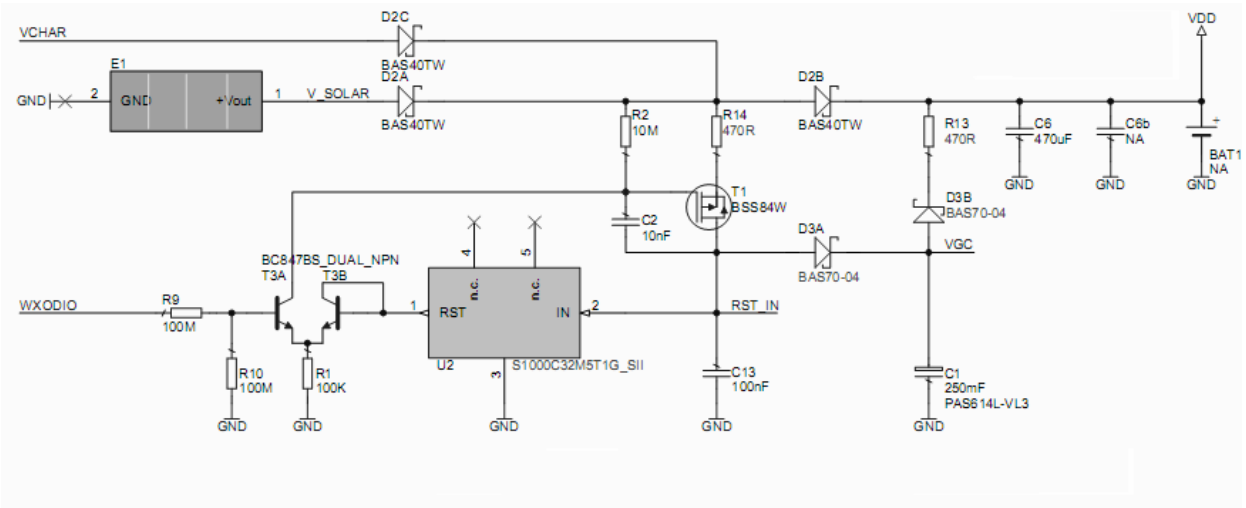


If a new wake-up occurs before all sub-telegrams have been sent, the series of transmissions is stopped and a new series of telegrams with new valid measurement values is transmitted.

STM 31X / STM 31XC

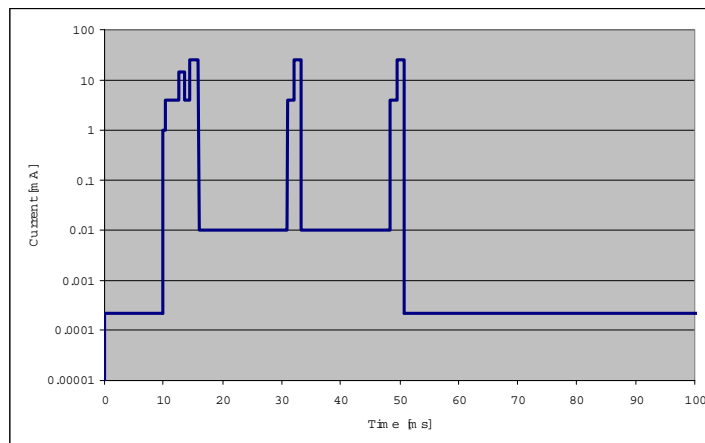
2.10 Charging circuitry

The figure below shows the internal charging circuit. It is controlled via the WXODIO pin of EO3000I which switches according to the status of the internal threshold detector. For details please refer to our Dolphin Core Description documentation.



An external 3 V battery can be connected at VDD (STM 312 only) or at VGC.

2.11 Energy consumption



Current Consumption of STM 31x

Charge needed for one measurement and transmit cycle: ~130 μC
 Charge needed for one measurement cycle without transmit: ~30 μC
 (current for external sensor circuits not included)

Calculations are performed on the basis of electric charges because of the internal linear voltage regulator of the module. Energy consumption varies with voltage of the energy storage while consumption of electric charge is constant.



STM 31X / STM 31XC

From these values the following performance parameters have been calculated:

Wake cycle [s]	Transmit interval	Operation Time in darkness [h] when storage fully charged	Required reload time [h] at 200 lux within 24 h for continuous operation	24 h operation after 6 h illumination at x lux	Illumination level in lux for continuous operation	Current in μA required for continuous operation
1	1	0.5	storage too small	storage too small	5220	130.5
1	10	1.7	storage too small	storage too small	1620	40.5
1	100	2.1	storage too small	storage too small	1250	31.3
10	1	5.1	storage too small	storage too small	540	13.5
10	10	16	21	700	175	4.4
10	100	20	16.8	560	140	3.5
100	1	43	7.8	260	65	1.6
100	10	98	3.6	120	30	0.8
100	100	112	3	100	25	0.6

Assumptions:

- Internal storage PAS614L-VL3 with 0.25 F, $U_{\text{max}}=3.2\text{ V}$, $U_{\text{min}}=2.2\text{ V}$, $T=25\text{ }^\circ\text{C}$
- Consumption: Transmit cycle 100 μC , measurement cycle 30 μC
- Pre-installed solar cell ECS 300, operating values 3 V and 5 μA @ 200 lux fluorescent light
- Current proportional to illumination level (not true at very low levels!)

These values are calculated values, the accuracy is about +/-20%!

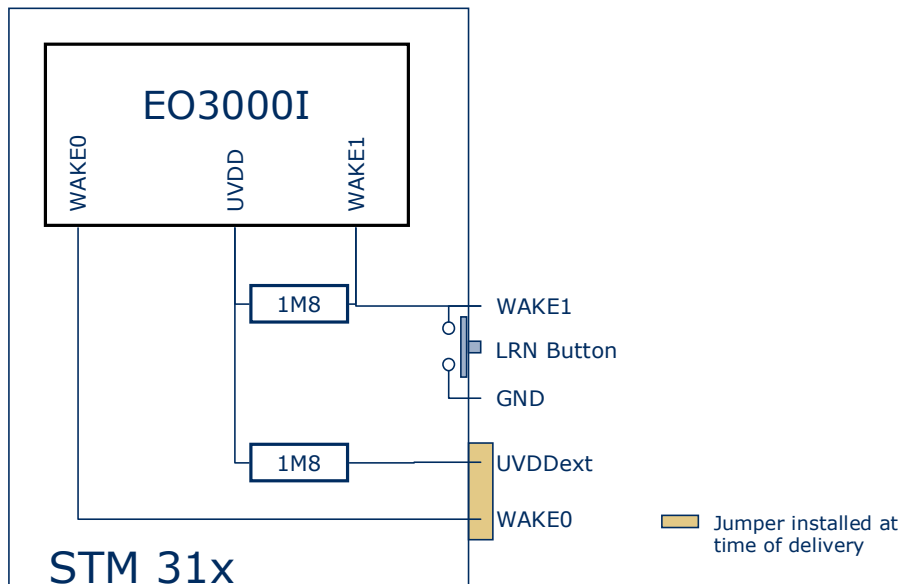
3 APPLICATIONS INFORMATION

3.1 Using the WAKE pins

The logic input circuits of the WAKE0 and WAKE1 pins are supplied by UVDD and therefore also usable in "Deep Sleep Mode". Due to current minimization there is no internal pull-up or pull-down at the WAKE pins. When STM 31x is in "Deep Sleep Mode" and the logic levels of WAKE0 and / or WAKE1 is changed, STM 31x starts up.



As there is no internal pull-up or pull-down at the WAKE0 pin, it has to be ensured by external circuitry, that the WAKE0 pin is at a defined logic level at any time. At time of delivery a jumper is connected between WAKE0 and UVDDext. WAKE1 provides an internal 1.8 M Ω pull-up. See figure below.



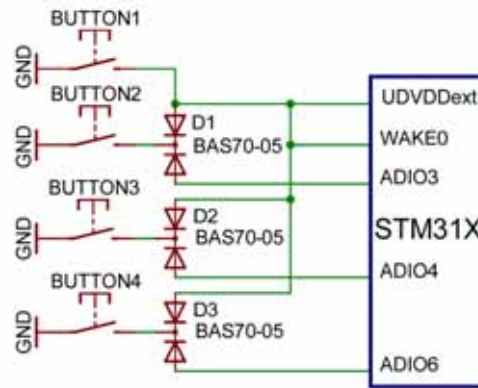
When the LRN button is pressed WAKE1 is pulled to GND and a teach-in telegram is transmitted. As long as the button is pressed a small current of approximately 1 μ A is flowing. It is possible to connect an additional external button in parallel between WAKE1 and GND if a different position of the button in the device is required.

WAKE0 is connected to UVDDext via a jumper at time of delivery. If the module is mounted onto a host PCB the jumper has to be removed. The circuitry on the host PCB then has to ensure that WAKE0 is always in a defined position. There are two ways to use WAKE0:

- Connect WAKE0 to UVDDext and connect an external button between WAKE0 and GND. As long as the button is pressed a current of 1 μ A will flow.
- Connect a 3 terminal switch and switch WAKE0 to either GND or UVDDext. In this case there is no continuous flow of current in either position of the switch.

STM 31X / STM 31XC

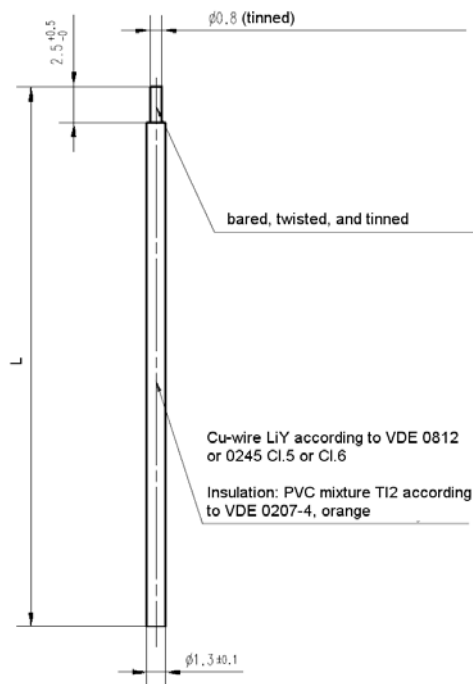
If more digital inputs with WAKE functionality are needed in an application, WAKE0 can be combined with some of the digital inputs as shown below:



STM 31X / STM 31XC

3.2 Antenna options

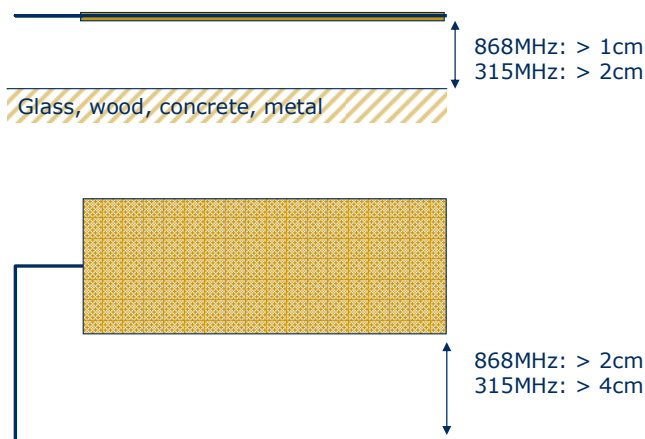
3.2.1 Whip antenna (STM 310, STM 310C, STM 312, STM 312C)



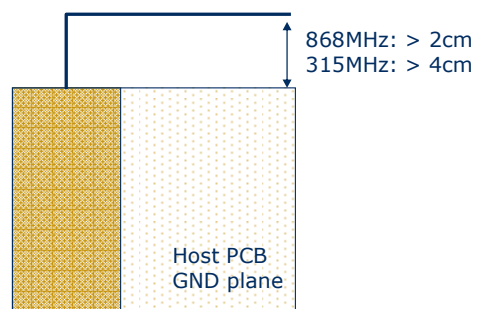
Specification of the whip antenna; L=150 mm @ 315 MHz, L=86 mm @ 868 MHz

Antenna layout recommendation:

STM 31x without host PCB



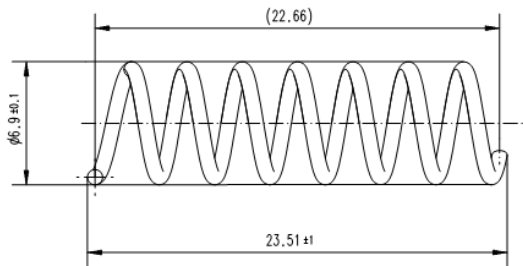
STM 31x with host PCB



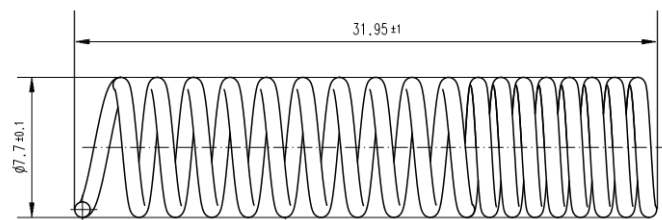
STM 31X / STM 31XC

3.2.2 Helical antenna (STM 311, STM 311C)

868 MHz

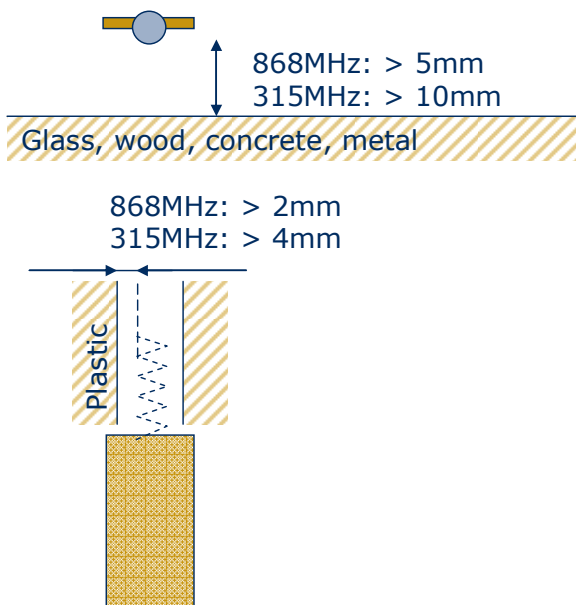


315 MHz

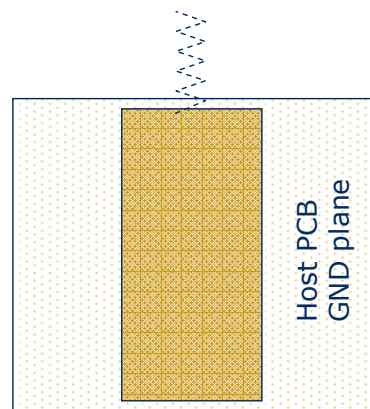


Antenna recommendation:

STM 31x without host PCB



STM 31x with host PCB



3.3 Transmission range

The main factors that influence the system transmission range are type and location of the antennas of the receiver and the transmitter, type of terrain and degree of obstruction of the link path, sources of interference affecting the receiver, and "Dead" spots caused by signal reflections from nearby conductive objects. Since the expected transmission range strongly depends on this system conditions, range tests should categorically be performed before notification of a particular range that will be attainable by a certain application.

The following figures for expected transmission range are considered by using a PTM, a STM or a TCM radio transmitter device and the TCM radio receiver device with preinstalled whip antenna and may be used as a rough guide only:

- Line-of-sight connections: Typically 30 m range in corridors, up to 100 m in halls
- Plasterboard walls / dry wood: Typically 30 m range, through max. 5 walls
- Line-of-sight connections: Typically 30 m range in corridors, up to 100 m in halls
- Ferroconcrete walls / ceilings: Typically 10 m range, through max. 1 ceiling
- Fire-safety walls, elevator shafts, staircases and supply areas should be considered as screening.

The angle at which the transmitted signal hits the wall is very important. The effective wall thickness – and with it the signal attenuation – varies according to this angle. Signals should be transmitted as directly as possible through the wall. Wall niches should be avoided. Other factors restricting transmission range:

- Switch mounted on metal surfaces (up to 30% loss of transmission range)
- Hollow lightweight walls filled with insulating wool on metal foil
- False ceilings with panels of metal or carbon fiber
- Lead glass or glass with metal coating, steel furniture

The distance between EnOcean receivers and other transmitting devices such as computers, audio and video equipment that also emit high-frequency signals should be at least 0.5 m

A summarized application note to determine the transmission range within buildings is available as download from www.enocean.com.

4 AGENCY CERTIFICATIONS

The modules have been tested to fulfil the approval requirements for CE (STM 31x) and FCC/IC (STM 31xC) based on the built-in firmware.



When developing customer specific firmware based on the API for this module, special care must be taken not to exceed the specified regulatory limits, e.g. the duty cycle limitations!

4.1 CE Approval

The STM 31x module bears the EC conformity marking CE and conforms to the R&TTE EU-directive on radio equipment. The assembly conforms to the European and national requirements of electromagnetic compatibility. The conformity has been proven and the according documentation has been deposited at EnOcean. The modules can be operated without notification and free of charge in the area of the European Union and in Switzerland.



- EnOcean RF modules must not be modified or used outside their specification limits.
- EnOcean RF modules may only be used to transfer digital or digitized data. Analog speech and/or music are not permitted.
- EnOcean RF modules must not be used with gain antennas, since this may result in allowed ERP or spurious emission levels being exceeded.
- The final product incorporating EnOcean RF modules must itself meet the essential requirement of the R&TTE Directive and a CE marking must be affixed on the final product and on the sales packaging each. Operating instructions containing a Declaration of Conformity has to be attached.
- If the STM 31x transmitter is used according to the regulations of the 868.3 MHz band, a so-called "Duty Cycle" of 1% per hour must not be exceeded. Permanent transmitters such as radio earphones are not allowed.
- The module must be used with only the following approved antenna(s).

Model	Type
STM 310	Pre-installed Wire/Monopole
STM 312	
STM 311	Pre-installed helical antenna

4.2 FCC (United States) certification

STM 31xC LIMITED MODULAR APPROVAL

This is an RF module approved for Limited Modular use operating as an intentional transmitting device with respect to 47 CFR 15.231(a-c) and is limited to OEM installation. The module is optimized to operate using small amounts of harvested energy, such as can be collected by a small solar cell exposed to ambient light. The module transmits short radio packets comprised of control signals, (in some cases the control signal may be accompanied with data) such as those used with alarm systems, door openers, remote switches, and the like. The module does not support continuous streaming of voice, video, or any other forms of streaming data; it sends only short packets containing control signals and possibly data and is typically powered by a solar cell in ambient light. The module is designed to comply with, has been tested according to 15.231(a-c), and has been found to comply with each requirement. Thus, a finished device containing the STM 31xC radio module can be operated in the United States without additional Part 15 FCC approval (approval(s) for unintentional radiators may be required for the OEM's finished product), under EnOcean's FCC ID number. This greatly simplifies and shortens the design cycle and development costs for OEM integrators.

The module can be triggered manually or automatically, which cases are described below.

Manual Activation

The radio module can be configured to transmit a short packetized control signal if triggered manually. The module can be triggered, by pressing a switch, for example. The packet contains one (or more) control signals that is(are) intended to control something at the receiving end. The packet may also contain data. Depending on how much energy is available from the energy source, subsequent manual triggers can initiate the transmission of additional control signals. This may be necessary if prior packet(s) was (were) lost to fading or interference. Subsequent triggers can also be initiated as a precaution if any doubt exists that the first packet didn't arrive at the receiver. Each packet that is transmitted, regardless of whether it was the first one or a subsequent one, will only be transmitted if enough energy is available from the energy source.

Automatic Activation

The radio module also can be configured to transmit a short packetized control signal if triggered automatically, by a relevant change of its inputs, for example. Again, the packet contains a control signal that is intended to control something at the receiving end and may also contain data. As above, it is possible for the packet to get lost and never reach the receiver. However, if enough energy is available from the energy source, and the module has been configured to do so, then another packet or packets containing the control signal may be transmitted at a later, unpredictable time.

OEM Requirements

In order to use EnOcean's FCC ID number, the OEM must ensure that the following conditions are met.

- End users of products, which contain the module, must not have the ability to alter the firmware that governs the operation of the module. The agency grant is valid only when the module is incorporated into a final product by OEM integrators.
- The end-user must not be provided with instructions to remove, adjust or install the module.
- The Original Equipment Manufacturer (OEM) must ensure that FCC labeling requirements are met. This includes a clearly visible label on the outside of the final product. Attaching a label to a removable portion of the final product, such as a battery cover, is not permitted. The label must include the following text:

STM 310C, STM 312C:

Contains FCC ID: SZV-STM310C

The enclosed device complies with Part 15 of the FCC Rules. Operation is subject to the following two conditions: (i.) this device may not cause harmful interference and (ii.) this device must accept any interference received, including interference that may cause undesired operation.

STM 311C:

Contains FCC ID: SZV-STM311C

The enclosed device complies with Part 15 of the FCC Rules. Operation is subject to the following two conditions: (i.) this device may not cause harmful interference and (ii.) this device must accept any interference received, including interference that may cause undesired operation.

When the device is so small or for such use that it is not practicable to place the statement above on it, the information required by this paragraph shall be placed in a prominent location in the instruction manual or pamphlet supplied to the user or, alternatively, shall be placed on the container in which the device is marketed. However, the FCC identifier or the unique identifier, as appropriate, must be displayed on the device.

The user manual for the end product must also contain the text given above.

- Changes or modifications not expressly approved by EnOcean could void the user's authority to operate the equipment.
- The OEM must ensure that timing requirements according to 47 CFR 15.231(a-c) are met.
- The OEM must sign the OEM Limited Modular Approval Agreement with EnOcean
- The module must be used with only the following approved antenna(s).

Model	Type	Gain
STM 310C STM 312C	Pre-installed Wire/Monopole	1.0 dBi
STM 311C	Pre-installed helical antenna	-9 dBi

4.3 IC (Industry Canada) certification

In order to use EnOcean's IC number, the OEM must ensure that the following conditions are met:

- Labeling requirements for Industry Canada are similar to those required by the FCC. The Original Equipment Manufacturer (OEM) must ensure that IC labeling requirements are met. A clearly visible label on the outside of a non-removable part of the final product must include the following text:

STM 310C, STM 312C:

Contains IC: 5713A-STM310C

STM 311C

Contains IC: 5713A-STM311C

- The OEM must sign the OEM Limited Modular Approval Agreement with EnOcean

Scavenger Transmitter Module STM 320 / STM 320C / STM 321C

September 10, 2010



Observe precautions! Electrostatic sensitive devices!

Patent protected:

WO98/36395, DE 100 25 561, DE 101 50 128,
WO 2004/051591, DE 103 01 678 A1, DE 10309334,
WO 04/109236, WO 05/096482, WO 02/095707,
US 6,747,573, US 7,019,241

REVISION HISTORY

The following major modifications and improvements have been made to the first version of this document:

No	Major Changes
0.5	Initial version
0.6	New drawings added; new energy consumption data added; application note for connecting an external battery added; Agency certifications added

**Published by EnOcean GmbH, Kolpingring 18a, 82041 Oberhaching, Germany
 www.enocean.com, info@enocean.com, phone ++49 (89) 6734 6890**

© EnOcean GmbH
 All Rights Reserved

Important!

This information describes the type of component and shall not be considered as assured characteristics. No responsibility is assumed for possible omissions or inaccuracies. Circuitry and specifications are subject to change without notice. For the latest product specifications, refer to the EnOcean website: <http://www.enocean.com>.

As far as patents or other rights of third parties are concerned, liability is only assumed for modules, not for the described applications, processes and circuits.

EnOcean does not assume responsibility for use of modules described and limits its liability to the replacement of modules determined to be defective due to workmanship. Devices or systems containing RF components must meet the essential requirements of the local legal authorities.

The modules must not be used in any relation with equipment that supports, directly or indirectly, human health or life or with applications that can result in danger for people, animals or real value.

Components of the modules are considered and should be disposed of as hazardous waste. Local government regulations are to be observed.

Packing: Please use the recycling operators known to you. By agreement we will take packing material back if it is sorted. You must bear the costs of transport. For packing material that is returned to us unsorted or that we are not obliged to accept, we shall have to invoice you for any costs incurred.



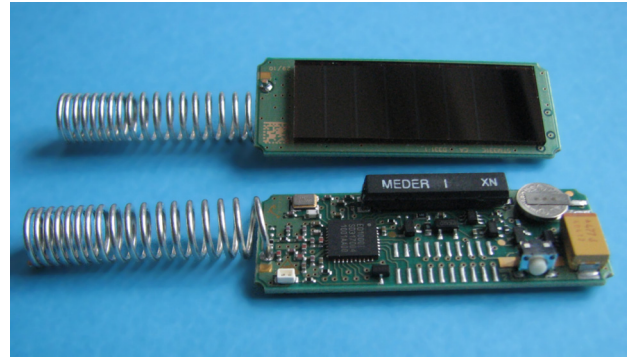
TABLE OF CONTENT

- 1 GENERAL DESCRIPTION 4
 - 1.1 Basic functionality 4
 - 1.2 Technical data 4
 - 1.3 Physical dimensions..... 5
 - 1.4 Environmental conditions 7
 - 1.5 Ordering Information 7
- 2 FUNCTIONAL DESCRIPTION..... 8
 - 2.1 Block diagram..... 8
 - 2.2 Radio telegram 8
 - 2.3 Transmit timing 9
 - 2.4 Energy consumption 9
- 3 APPLICATIONS INFORMATION 10
 - 3.1 Helical antenna 10
 - 3.2 Transmission range 11
 - 3.3 Connecting an external battery 11
- 4 AGENCY CERTIFICATIONS (after release for series production) 12
 - 4.1 CE Approval..... 12
 - 4.2 FCC (United States) certification 13
 - 4.3 IC (Industry Canada) certification..... 15

1 GENERAL DESCRIPTION

1.1 Basic functionality

The radio transmitter module STM 320 from EnOcean enables the implementation of a wireless magnet contact sensor. Powered by a solar cell it works absolutely maintenance-free. An integrated energy store allows operation for several days even in total darkness. Key applications are window and door sensors. The STM 320 supervises an integrated reed contact and reports every status change immediately (open<>closed). In addition a sign of life signal is transmitted every 20-30 minutes.



A LRN button is pre-installed on the PCB. When this button is pressed a special teach-in signal is sent.

There are two frequency variants – STM 320 in 868 MHz and STM 320C in 315 MHz.

STM 321C provides a connector for an external reed contact instead of the internal reed contact.

Features with built-in firmware

- Pre-installed solar cell
- On-board energy storage and charging circuit
- On-board LRN button
- On-board TX indicator LED
- On-board reed contact

1.2 Technical data

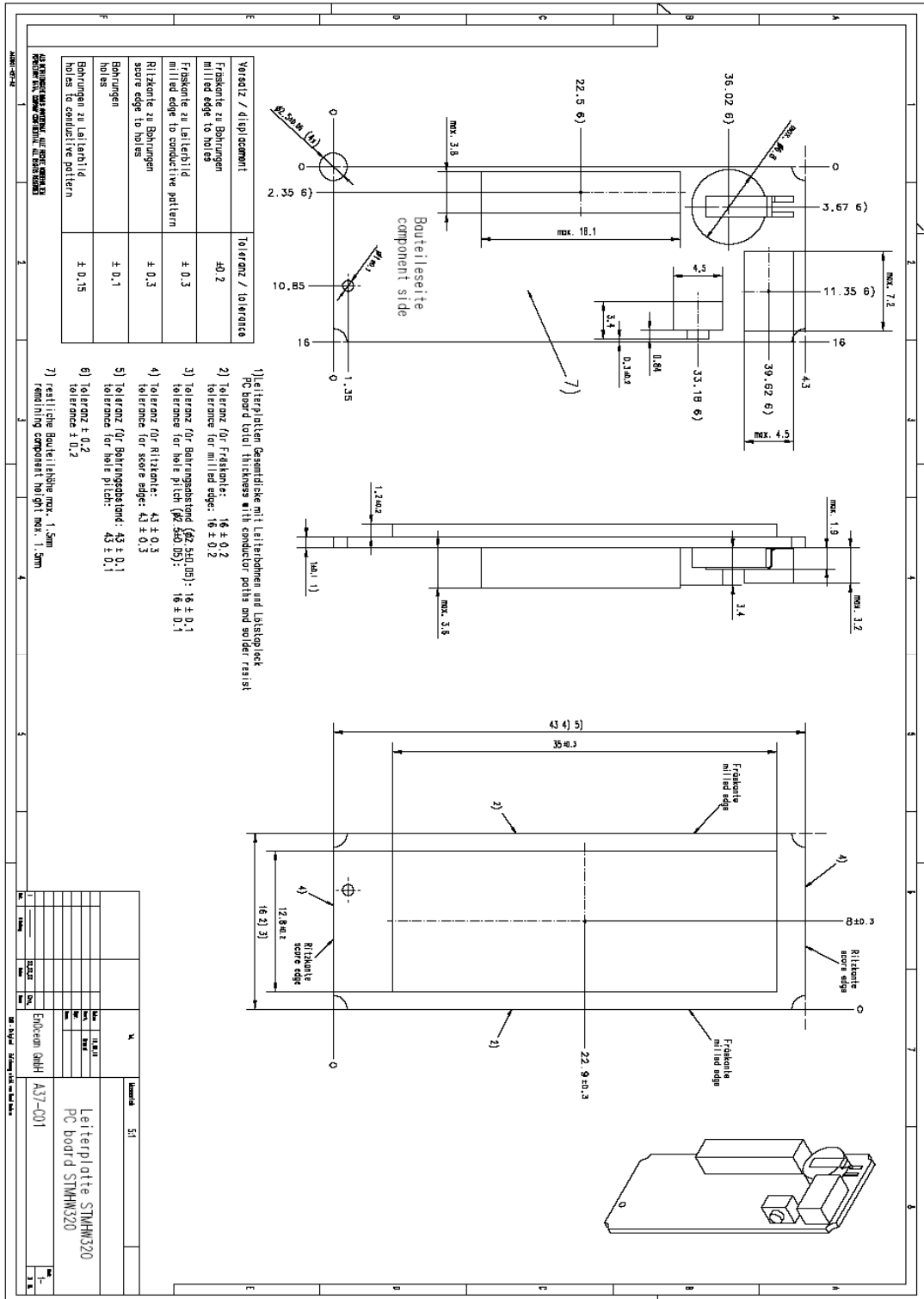
Antenna	Pre-installed helical antenna installed
Frequency	315.0 MHz (STM 32xC)/868.3 MHz (STM 320)
Radio Standard	EnOcean 868 MHz/315 MHz
Data rate/Modulation type	125 kbps/ASK
Conducted Output Power	typ. 2 dBm
Power Supply	Pre-installed solar cell Illumination 50-100000 lux
Initial operation time in darkness @ 25°C	typ. 6 days, energy storage fully charged transmission of telegram every 25 min on average ¹
Operation start up time with empty energy store	typ. 2.5 min @ 400 lux / 25°C incandescent or fluorescent light
Reed contact	1x internal, type Meder MK01-I
Radio Regulations	R&TTE EN 300 220 (STM 320) FCC CFR-47 Part 15 (STM 32xC)

¹Full performance of the PAS614L energy storage is achieved after a few days of operation at good illumination level. Performance degrades over life time, especially if energy storage is exposed to higher temperatures. Each 10K drop in temperature doubles the expected life span.

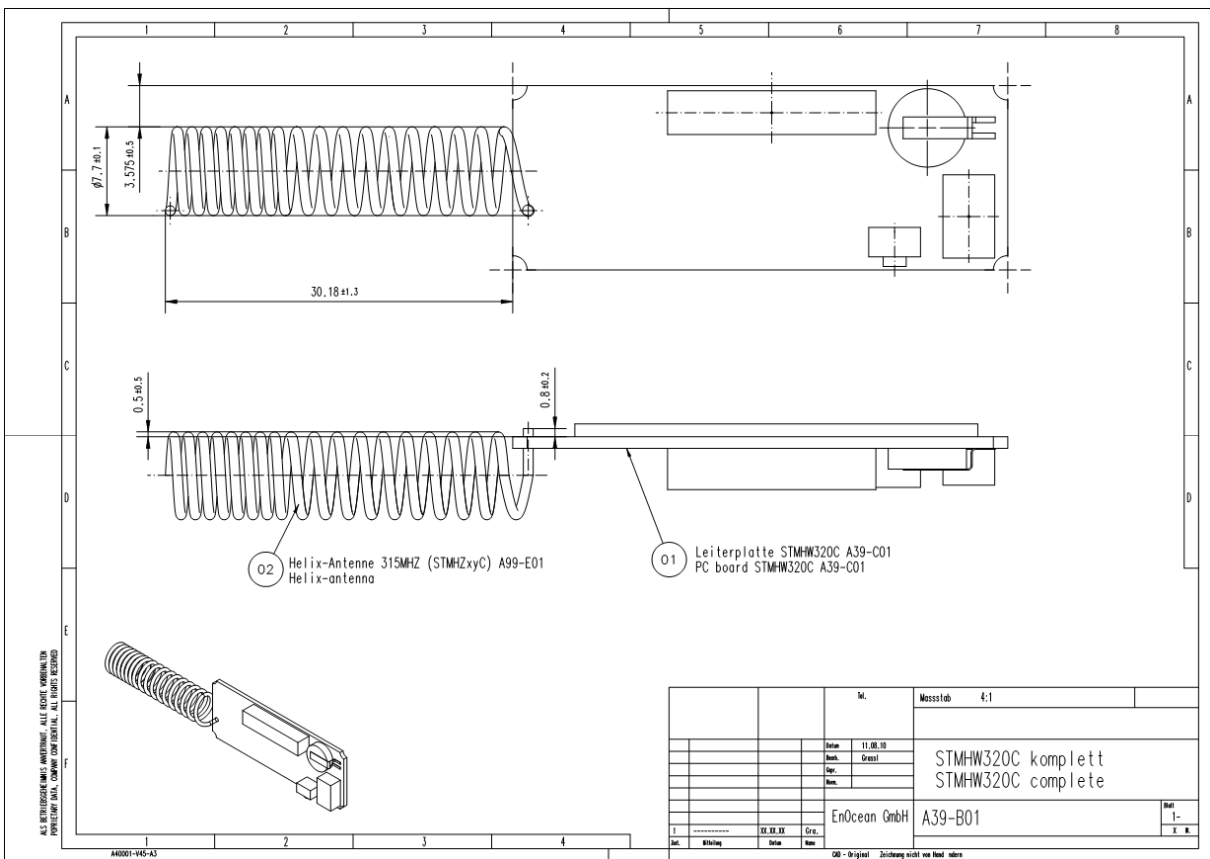
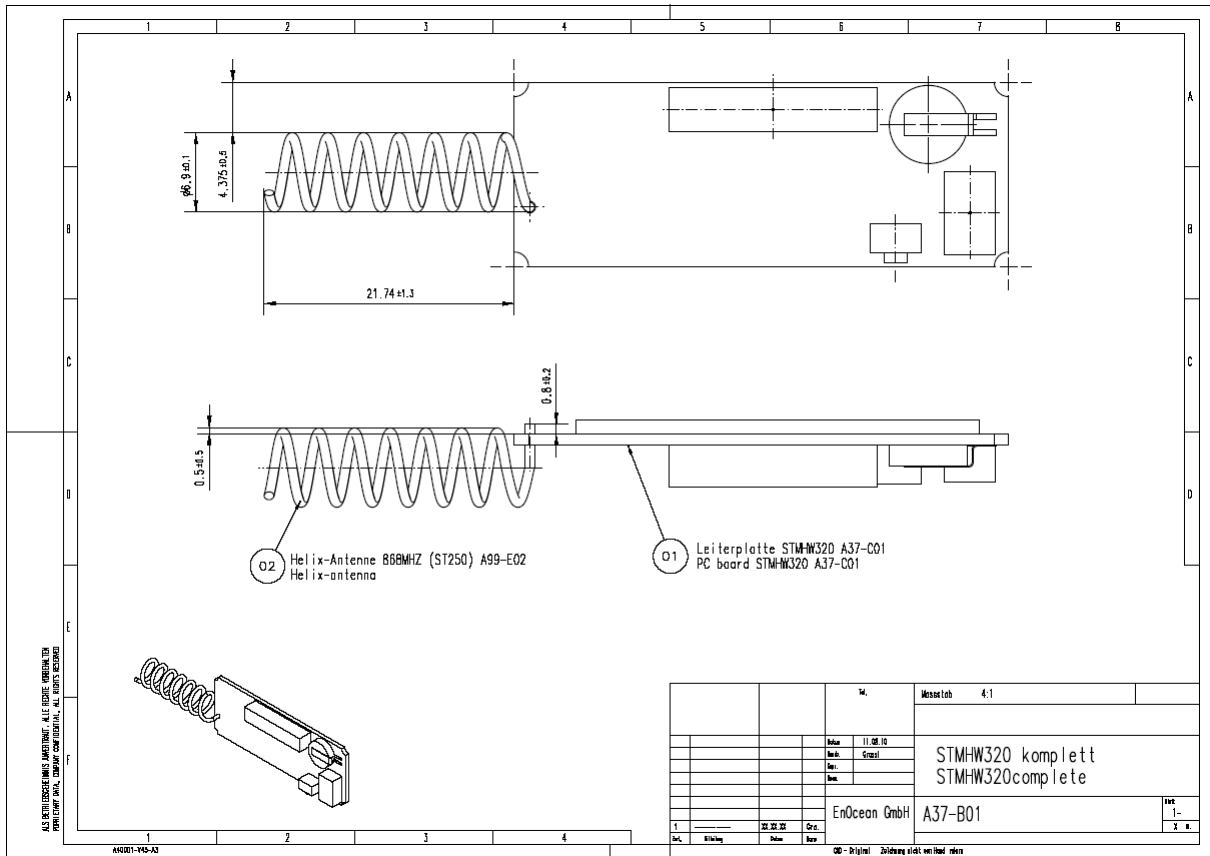
STM 320 / STM 320C / STM 321C

1.3 Physical dimensions

PCB dimensions	43±0.2 x 16±0.3 x 1±0.1 mm
Module height	9 mm
Weight	5.0g (STM 320), 6.3 g (STM 320C)



STM 320 / STM 320C / STM 321C



1.4 Environmental conditions

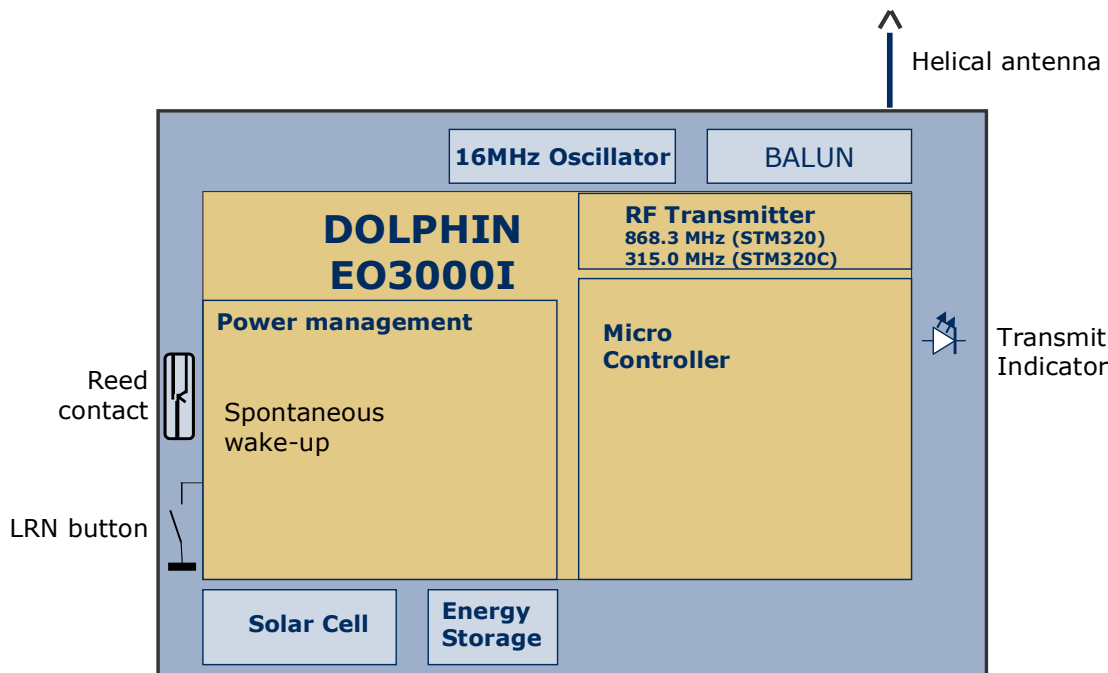
Operating temperature	-20 °C ... +60 °C
Storage temperature	-20 °C ... +60 °C
Humidity	0% ... 93% r.h., non-condensing

1.5 Ordering Information

Type	Ordering Code	Frequency
STM 320	S3001-D320	868.3 MHz
STM 320C	S3031-D320	315.0 MHz
STM 321C		315.0 MHz

2 FUNCTIONAL DESCRIPTION

2.1 Block diagram



A change of the reed contact status or pushing the LRN button will wake the transmitter unit to send a radio telegram immediately (reed contact position, LRN push button status, unique 32-bit sensor ID, checksum). In addition a redundant retransmission signal is sent to announce the contact status even in case of no input signal changes. This signal transmitted every 20-30 min, affected at random. The transmit indicator LED flashes briefly at every radio transmission.

Between the wake-up phases, the device is in sleep mode for minimum power consumption.

2.2 Radio telegram

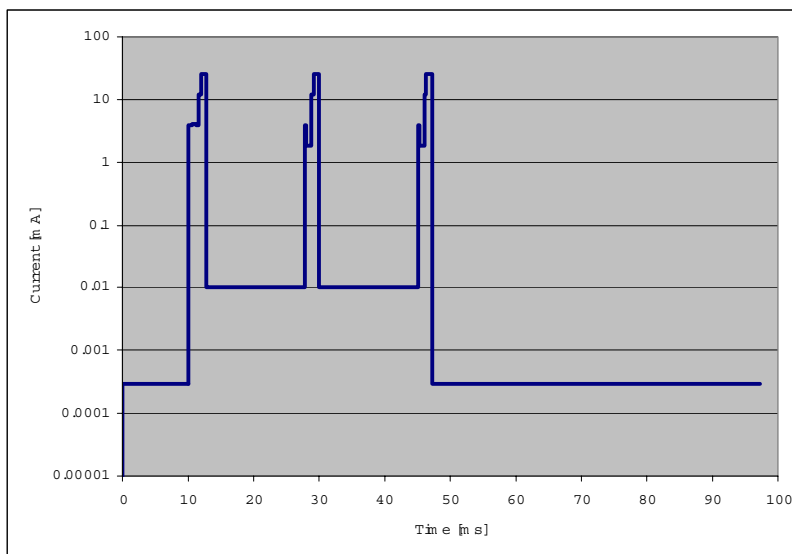
STM 320 transmits a radio telegram according to EnOcean Equipment Profile EEP 06-00-01 as defined in the EnOcean Equipment Profiles 2.0 specification.

http://www.enocean-alliance.org/fileadmin/redaktion/enocean_alliance/pdf/EnOcean_Equipment_Profiles_2.0.pdf

2.3 Transmit timing

The setup of the transmission timing allows avoiding possible collisions with data packages of other EnOcean transmitters as well as disturbances from the environment. With each transmission cycle, 3 identical subtelegrams are transmitted within 40 ms. The transmission of a subtelegram lasts approximately 1.2 ms. The delay between the three transmission bursts is affected at random.

2.4 Energy consumption



Charge needed for one measurement and transmit cycle: ~80 μC
 Charge needed for one measurement cycle without transmit: ~10 μC

Calculations are performed on the basis of electric charges because of the internal linear voltage regulator of the module. Energy consumption varies with voltage of the energy storage while consumption of electric charge is constant.

From these values the following performance parameters have been calculated:

Wake and transmit cycle [s]	Operation Time in darkness [h] when storage fully charged	Required reload time [h] at 200 lux within 24 h for continuous operation
1500	175	1.8

Assumptions:

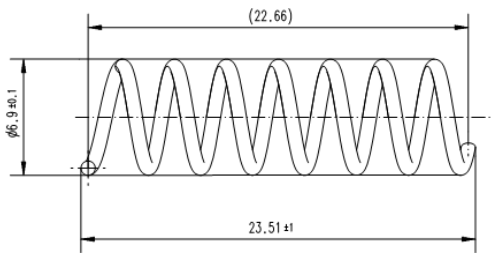
- Internal storage PAS614L-VL3 with 0.25 F, $U_{\text{max}}=3.2\text{ V}$, $U_{\text{min}}=2.3\text{ V}$, $T=25\text{ }^\circ\text{C}$
- Consumption: Transmit cycle 80 μC , measurement cycle 10 μC
- Pre-installed solar cell ECS 300, operating values 3 V and 5 μA @ 200 lux fluorescent light
- Current proportional to illumination level (not true at very low levels!)

These values are calculated values, the accuracy is about +/-20%!

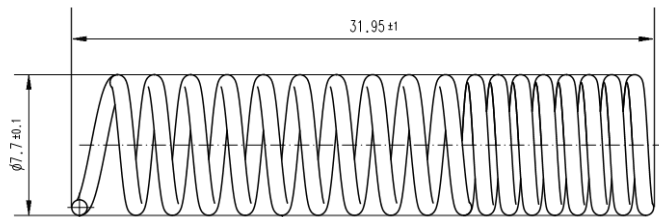
3 APPLICATIONS INFORMATION

3.1 Helical antenna

868 MHz

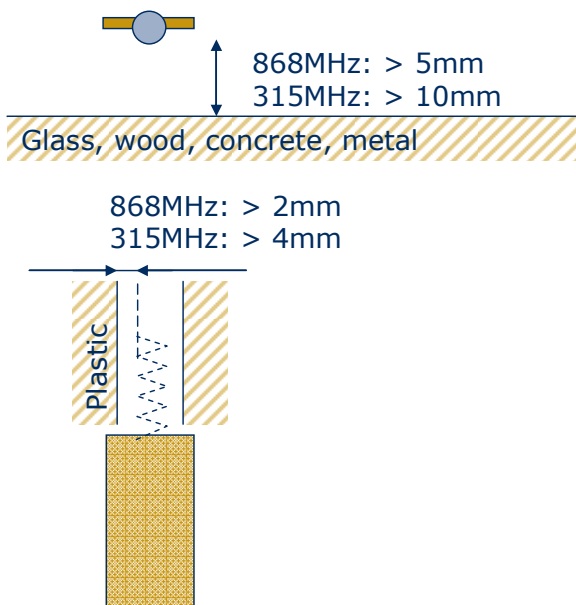


315 MHz

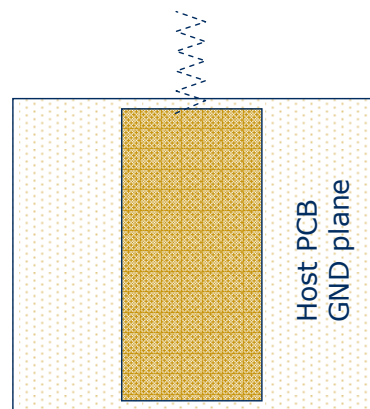


Antenna recommendation:

STM 320 without host PCB



STM 320 with host PCB



3.2 Transmission range

The main factors that influence the system transmission range are type and location of the antennas of the receiver and the transmitter, type of terrain and degree of obstruction of the link path, sources of interference affecting the receiver, and "Dead" spots caused by signal reflections from nearby conductive objects. Since the expected transmission range strongly depends on this system conditions, range tests should categorically be performed before notification of a particular range that will be attainable by a certain application.

The following figures for expected transmission range are considered by using a PTM, a STM or a TCM radio transmitter device and the TCM radio receiver device with preinstalled whip antenna and may be used as a rough guide only:

- Line-of-sight connections: Typically 30 m range in corridors, up to 100 m in halls
- Plasterboard walls / dry wood: Typically 30 m range, through max. 5 walls
- Line-of-sight connections: Typically 30 m range in corridors, up to 100 m in halls
- Ferroconcrete walls / ceilings: Typically 10 m range, through max. 1 ceiling
- Fire-safety walls, elevator shafts, staircases and supply areas should be considered as screening.

The angle at which the transmitted signal hits the wall is very important. The effective wall thickness – and with it the signal attenuation – varies according to this angle. Signals should be transmitted as directly as possible through the wall. Wall niches should be avoided. Other factors restricting transmission range:

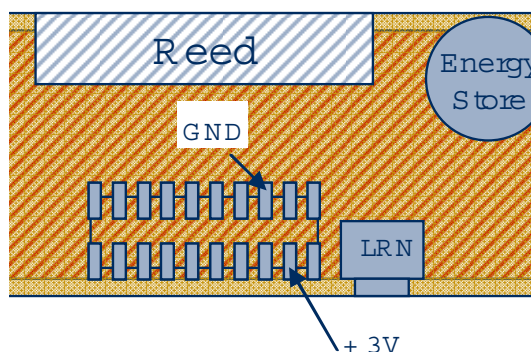
- Switch mounted on metal surfaces (up to 30% loss of transmission range)
- Hollow lightweight walls filled with insulating wool on metal foil
- False ceilings with panels of metal or carbon fiber
- Lead glass or glass with metal coating, steel furniture

The distance between EnOcean receivers and other transmitting devices such as computers, audio and video equipment that also emit high-frequency signals should be at least 0.5 m

A summarized application note to determine the transmission range within buildings is available as download from www.enocean.com.

3.3 Connecting an external battery

In case there is not sufficient light available for operation with solar cell an external 3 V Lithium battery can be connected to the module at the soldering pads shown below:



4 AGENCY CERTIFICATIONS (after release for series production)

The modules have been tested to fulfil the approval requirements for CE (STM 320) and FCC/IC (STM 320C) based on the built-in firmware.



When developing customer specific firmware based on the API for this module, special care must be taken not to exceed the specified regulatory limits, e.g. the duty cycle limitations!

4.1 CE Approval

The STM 320 module bears the EC conformity marking CE and conforms to the R&TTE EU-directive on radio equipment. The assembly conforms to the European and national requirements of electromagnetic compatibility. The conformity has been proven and the according documentation has been deposited at EnOcean. The modules can be operated without notification and free of charge in the area of the European Union and in Switzerland.



- EnOcean RF modules must not be modified or used outside their specification limits.
- EnOcean RF modules may only be used to transfer digital or digitized data. Analog speech and/or music are not permitted.
- EnOcean RF modules must not be used with gain antennas, since this may result in allowed ERP or spurious emission levels being exceeded.
- The final product incorporating EnOcean RF modules must itself meet the essential requirement of the R&TTE Directive and a CE marking must be affixed on the final product and on the sales packaging each. Operating instructions containing a Declaration of Conformity has to be attached.
- If the STM 320 transmitter is used according to the regulations of the 868.3 MHz band, a so-called "Duty Cycle" of 1% per hour must not be exceeded. Permanent transmitters such as radio earphones are not allowed.
- The module must be used with only the following approved antenna(s).

Model	Type
STM 320	Pre-installed helical antenna

4.2 FCC (United States) certification

STM 320C LIMITED MODULAR APPROVAL

This is an RF module approved for Limited Modular use operating as an intentional transmitting device with respect to 47 CFR 15.231(a-c) and is limited to OEM installation. The module is optimized to operate using small amounts of harvested energy from a small solar cell exposed to ambient light. The module transmits short radio packets comprised of control signals, (in some cases the control signal may be accompanied with data) such as those used with alarm systems, door openers, remote switches, and the like. The module does not support continuous streaming of voice, video, or any other forms of streaming data; it sends only short packets containing control signals and possibly data and is powered by a solar cell in ambient light. The module is designed to comply with, has been tested according to 15.231(a-c), and has been found to comply with each requirement. Thus, a finished device containing the STM 320C radio module can be operated in the United States without additional Part 15 FCC approval (approval(s) for unintentional radiators may be required for the OEM's finished product), under EnOcean's FCC ID number. This greatly simplifies and shortens the design cycle and development costs for OEM integrators.

The module can be triggered manually or automatically, which cases are described below.

Manual Activation

The radio module can be configured to transmit a short packetized control signal if triggered manually. The module can be triggered, by pressing a button, for example. The packet contains one (or more) control signals that is(are) intended to control something at the receiving end. The packet may also contain data. Depending on how much energy is available from the energy source, subsequent manual triggers can initiate the transmission of additional control signals. This may be necessary if prior packet(s) was (were) lost to fading or interference. Subsequent triggers can also be initiated as a precaution if any doubt exists that the first packet didn't arrive at the receiver. Each packet that is transmitted, regardless of whether it was the first one or a subsequent one, will only be transmitted if enough energy is available from the energy source.

Automatic Activation

The radio module also can be configured to transmit a short packetized control signal if triggered automatically, by a relevant change of its inputs, for example. Again, the packet contains a control signal that is intended to control something at the receiving end and may also contain data. As above, it is possible for the packet to get lost and never reach the receiver. However, if enough energy is available from the energy source, and the module has been configured to do so, then another packet or packets containing the control signal may be transmitted at a later, unpredictable time.



OEM Requirements

In order to use EnOcean’s FCC ID number, the OEM must ensure that the following conditions are met.

- End users of products, which contain the module, must not have the ability to alter the firmware that governs the operation of the module. The agency grant is valid only when the module is incorporated into a final product by OEM integrators.
- The end-user must not be provided with instructions to remove, adjust or install the module.
- The Original Equipment Manufacturer (OEM) must ensure that FCC labeling requirements are met. This includes a clearly visible label on the outside of the final product. Attaching a label to a removable portion of the final product, such as a battery cover, is not permitted. The label must include the following text:

Contains FCC ID: SZV-STM311C

The enclosed device complies with Part 15 of the FCC Rules. Operation is subject to the following two conditions: (i.) this device may not cause harmful interference and (ii.) this device must accept any interference received, including interference that may cause undesired operation.

When the device is so small or for such use that it is not practicable to place the statement above on it, the information required by this paragraph shall be placed in a prominent location in the instruction manual or pamphlet supplied to the user or, alternatively, shall be placed on the container in which the device is marketed. However, the FCC identifier or the unique identifier, as appropriate, must be displayed on the device.

The user manual for the end product must also contain the text given above.

- Changes or modifications not expressly approved by EnOcean could void the user's authority to operate the equipment.
- The OEM must ensure that timing requirements according to 47 CFR 15.231(a-c) are met.
- The OEM must sign the OEM Limited Modular Approval Agreement with EnOcean
- The module must be used with only the following approved antenna(s).

Model	Type	Gain
STM 320C STM 321C	Pre-installed helical antenna	-9 dBi

4.3 IC (Industry Canada) certification

Contains IC: 5713A-STM311C

- The OEM must sign the OEM Limited Modular Approval Agreement with EnOcean