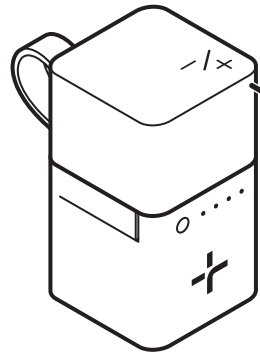
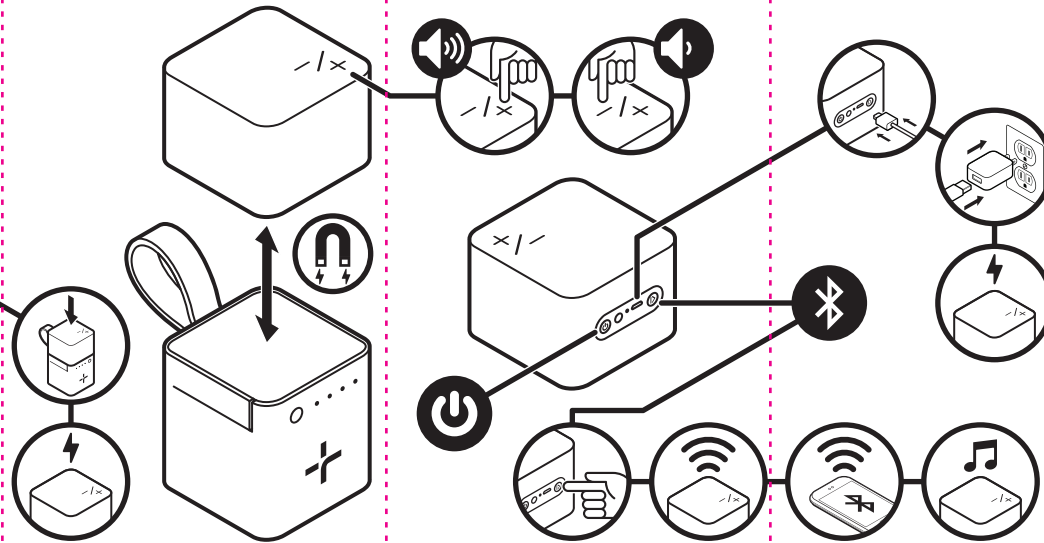


TYLT
+ / block party



BLKPTYGY-T



ETL Statement

To comply with the published safety standards, the following must be observed when using this switching power supply.

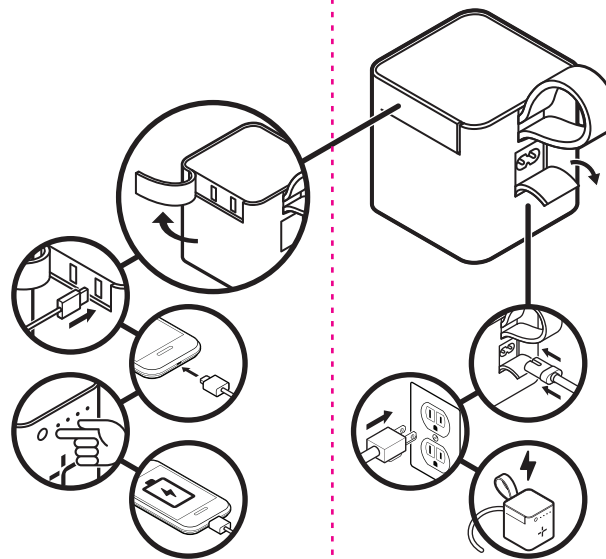
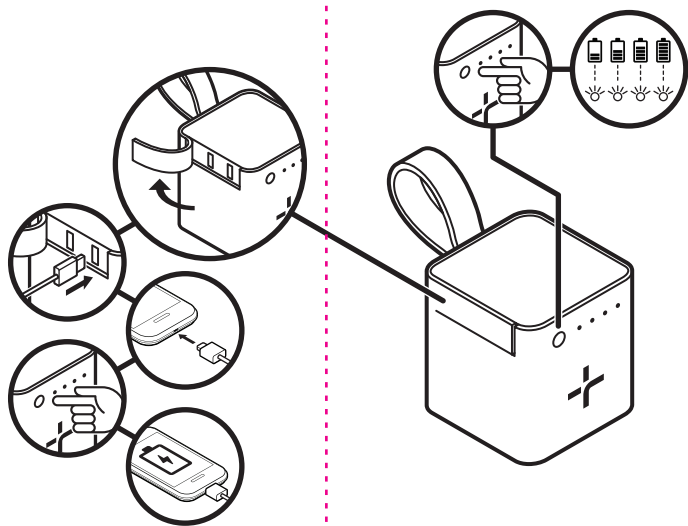
1. The output power taken from the supply must not exceed the rating given on the main unit.
2. Do not disassemble, attempt to repair or replace any part of the housing or battery.
3. The disconnection from line voltage is made by pulling the mains plug.
4. The socket-outlet shall be installed near the equipment and shall be easily accessible.
5. The product is "CONFORMS TO UL STD. 60950-1 and CERTIFIED TO CSA STD. C22.2 NO. 60950-1."

Do not expose battery to heat sources, extended direct sunlight or other high-temperature environments. Never dispose of batteries in the garbage. This is unlawful under state and federal environmental laws and regulations. Always take used batteries to your local battery-recycling center.

Block Party
Model: BLKPTYGY-T
Input: 100-240V~, 50/60Hz, 0.5A, Class II
Output: 5Vdc 8A Total



3.5"



NOTE: This equipment has been tested and found to comply with the limits for a Class B digital device, pursuant to part 15 of the FCC Rules. These limits are designed to provide reasonable protection against harmful interference in a residential installation. This equipment generates uses and can radiate radio frequency energy and, if not installed and used in accordance with the instructions, may cause harmful interference to radio communications. However, there is no guarantee that interference will not occur in a particular installation. If this equipment does cause harmful interference to radio or television reception, which can be determined by turning the equipment off and on, the user is encouraged to try to correct the interference by one or more of the following measures:

- Reorient or relocate the receiving antenna.

- Increase the separation between the equipment and receiver.
- Connect the equipment into an outlet on a circuit different from that to which the receiver is connected.
- Consult the dealer or an experienced radio/TV technician for help

Changes or modifications not expressly approved by the party responsible for compliance could void the user's authority to operate the equipment. This device complies with Part 15 of the FCC Rules. Operation is subject to the following two conditions:

- (1) this device may not cause harmful interference, and
- (2) this device must accept any interference received, including interference that may cause undesired operation.

FCC ID: SZQBT244

3.5"



BLACK