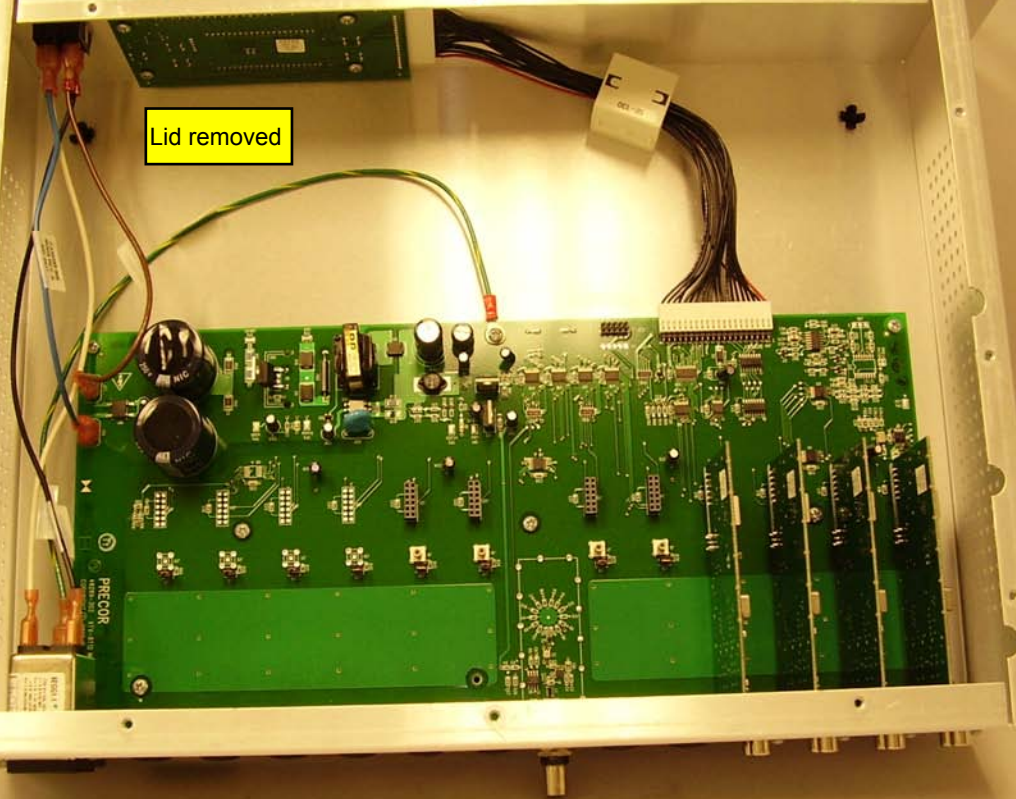


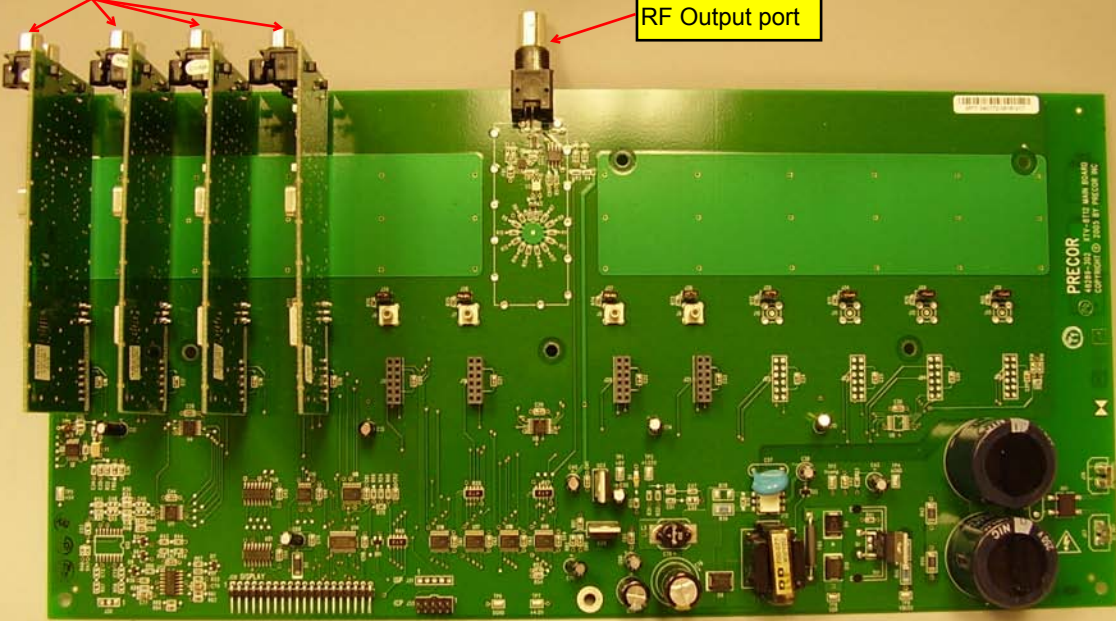
Lid removed



Top of main board

Audio in ports

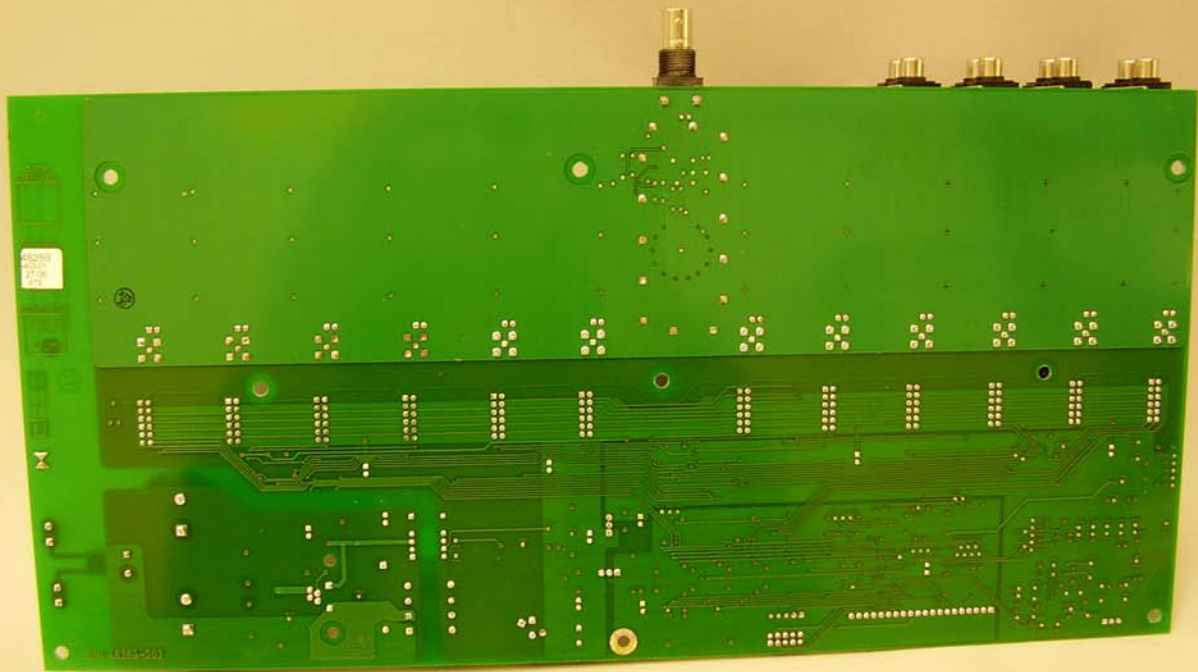
RF Output port



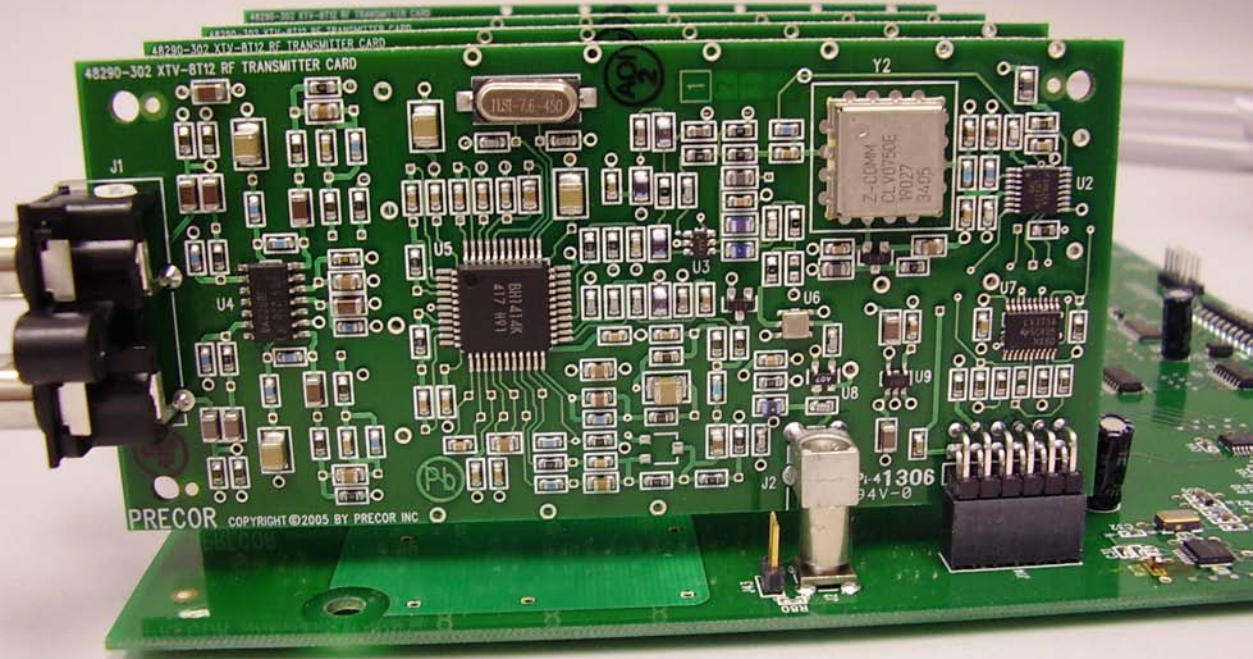
PRECOR
4338-302 RTV-4112 MAIN BOARD
Copyright © 2003 BY Precor Inc.



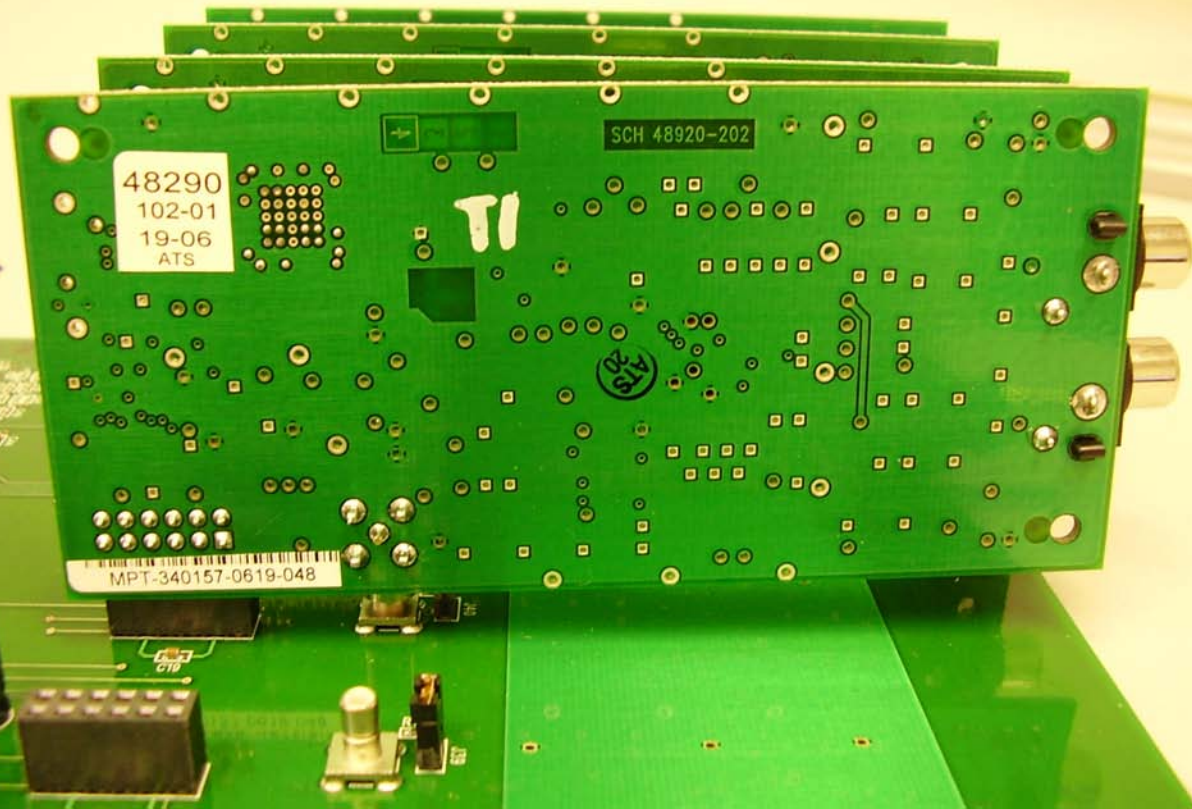
Bottom of main board



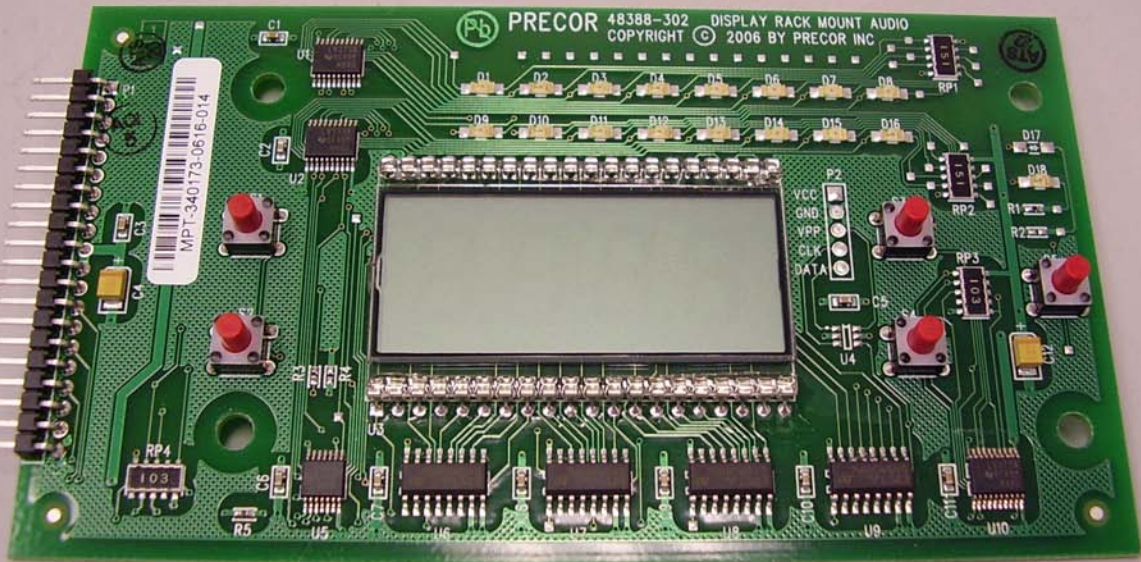
Top of Transmitter board



Bottom of Transmitter Board



Top of Display board



Bottom of Display board

