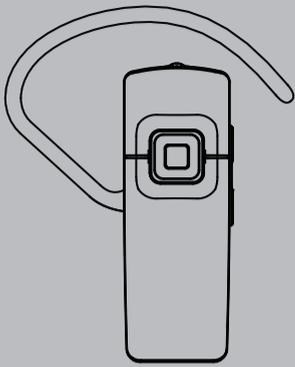


GBH703D

Bluetooth headset quickstart guide



Bluetooth

GBH703D

1. Safety information

Note: Please read this information before you use the headset.

Electronics Devices

To avoid electromagnetic interference, please turn off the headset in any place where posted notices instruct you to do so.

Note: Most modern electronic devices are susceptible to electromagnetic interference (EMI) if inadequately shielded, designed, or otherwise configured for electromagnetic compatibility.

Aircraft

Turn off the headset when on board an aircraft. The use of this headset might interfere with the electrical system of an aircraft.

Medical Instruments

If you use a medical device, such as a pacemaker, consult the manufacturer of your medical device to determine if it is adequately shielded from electromagnetic interference. Your physician can assist you in obtaining this information.

Power Adapter

Only use the supplied power adapter with the headset.

Placement

You are advised to put the headset in a safe place where it will not be bent or crushed when not in use otherwise it may bring harm to human body.

Children

Keep the headset away from children. Some small or detachable parts might be swallowed and result in harm.

Repair or Service

Any attempt to modify or remove of any part of the headset will void the warranty.

- 01 -

Bluetooth

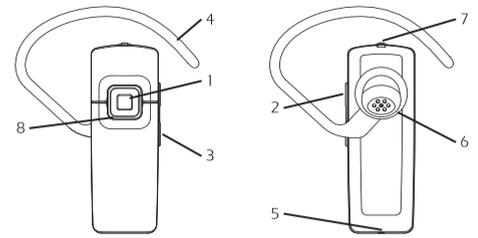
GBH703D

2. General Descriptions

GBH703D is a Bluetooth-enabled, wireless hands-free headset designed to work with mobile phones and other portable devices as long as they adhere to the Bluetooth specifications and support either the Headset or Hands-free Bluetooth profile.

3. Getting started

3.1 Identifying parts



- 1 - Multi-function button
- 2 - Volume up button
- 3 - Volume down button
- 4 - Earloop
- 5 - Microphone
- 6 - Receiver
- 7 - Charging Interface
- 8 - LED

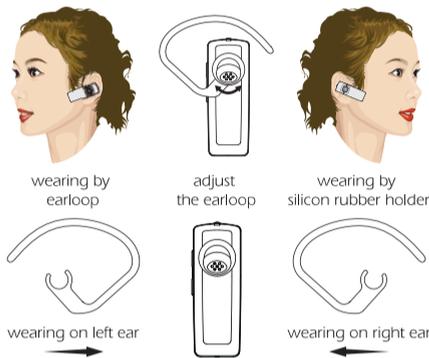
3.2 Adjusting the headset for comfort

The lightweight GBH703D can be worn comfortably on either ear. Adjust the headset according to the following figures.

- 02 -

Bluetooth

GBH703D



Note: You can adjust the earloop angle for comfort, but please be careful in not to break the clip.

3.3 Status LED

Headset state	LED color and status
Power off	Red LED Steady for 1000 ms
Power on	Blue LED Steady for 1000 ms
Pairing Mode	Red LED Flash 200 ms and Blue LED 200 ms alternately
Pair Success	Blue LED Steady for 5000 ms
Standby Mode	Blue LED Flash 200 ms every 5000 ms
Ringing	Red and Blue LED Flash 200 ms together per 1000 ms
Ongoing Call	Blue LED Flash 500 ms every 2000 ms
Charging Mode	Red LED Always On
Charging Complete	Red and Blue LED Always Off

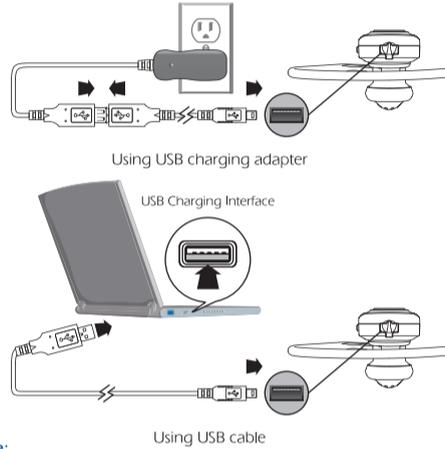
- 03 -

Bluetooth

GBH703D

3.4 Charging the built-in battery

GBH703D has a built-in battery, which must be charged fully before using the headset. Charging takes about 2 hours. You can charge the headset through the AC adapter (optional) or USB connector on computer.



Note:

1. Be sure the USB connector is aligned correctly and do not force the connection. Use the USB icon on the connector and in the illustrations below as a guide.
2. Please make sure the max. output voltage (including noise) of Adapter is $\leq 6V$ (including empty load and full load), otherwise the damage is not responsible.
3. The headset is disable when charging.

- 04 -

Bluetooth

GBH703D

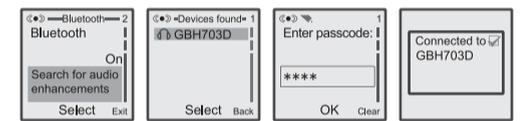
4. The function at a glance

In this guide, "Short press" refers to a time period of less than 1 second during which a functional button is being pressed. "Long press" refers to a time period of more than 3 second during which a functional button is being pressed. "Press and hold" refers to a time period of more than 5 second during which a functional button is being pressed. "MFB" button is the Multi-function button, "Vol+" button is the Volume up button and "Vol-" button is the Volume down button.

4.1 Phone operation Pairing the headset with a phone

Before you can use the headset to make calls, you must pair the headset with your phone. Pairing creates a secure link between your phone and the unique ID of the headset. You only have to pair devices once.

- (1) To put the headset in pairing mode, press and hold (over 5 seconds) the Multi-function button until the LED flash red/blue.
- (2) Scroll to the Bluetooth menu in you phone and search for active devices. (Refer to you phone's user manual for details)
- (3) When the search completes, a list of devices found is displayed. (The screen examples here are from a Nokia 6230)



- (4) Select "GBH703D" and when prompted input the default passkey (0000). When successfully paired, the red/blue LED on the headset changes to flashing blue.

Note: You can pair the headset with up to eight Bluetooth devices. When you pair the device with a ninth device, the oldest-paired device is deleted.

- 05 -

Bluetooth

GBH703D

Phone functions at glance

Headset Function	Headset Status	Button
Power on	Power off	Long press multi-function button
Power off	Power on	Very long press multi-function button
Pairing	Power off	Very long press multi-function button
Answer incoming call	Incoming call	Short press multi-function button
Reject incoming call	Incoming call	Long press multi-function button
End a call	Ongoing call	Short press multi-function button
Volume+	Power on	Short press "Volume+" button
Volume-	Power on	Short press "Volume-" button
Voice divert between headset and phone	Ongoing call	Long press multi-function button
Voice dialing	Connected	Long press multi-function button
Redial	Connected	Double short press multi-function button
Enables LED standby and on-line indication	Connect and no active call	Very long press "Volume+" button
Disables LED standby and on-line indication	Connect and no active call	Very long press "Volume-" button

- 06 -

Bluetooth

GBH703D

4.2 Make internet phone calls

There are many internet phone services (VoIP) that let you make calls from your computer. You must add a new connection for this function.

- (1) To put the headset in pairing mode, press and hold (over 5 seconds) **Multi-function button** until the LED flashes red/blue.

- (2) Right-click the **Bluetooth Manager** icon in the system tray and click **Add New Connection** (fig 1).

- (3) Select the **Custom Mode** radio button and click **Next**. The wizard searches for device and the following screen appears, select the GBH703D and click Next (fig 2).

- (4) Type in the passkey (**0000**) and click **OK** (fig 3).



(fig 1) (fig 2)
(fig 3)

- 07 -

Bluetooth

GBH703D

- (5) Under Service Class, select headset and click **Next** (fig 4).



(fig 4-1)



(fig 4-2)

- (6) When you hear a signal tone on the headset, short-press **Multi-function button** (fig 5).



(fig 5)

- 08 -

Bluetooth

GBH703D

- (7) Click **Next**.

- (8) A registration confirmation screen appears. Click **Finish** to complete the connection. The new connection is shown in the Bluetooth Settings window (fig 6).

- (9) Right-click the headset icon and click **Connect** (fig 7).

- (10) When you hear a single tone on the headset, short-press **Multi-function button**. Once connected the icon changes to a handshake (fig 8).



(fig 6) (fig 7-1)
(fig 7-2) (fig 8)

- 09 -

Bluetooth

GBH703D

Now you can make an internet phone call by using GBH703D.

Note: The headset only controls volume, Use the Skype interface for all call functions.

5. Specifications

Battery capacity	110 mAh
Talk time	up to 6 hours
Standby time	up to 170 hours
Weight (without ear clip)	11 g
Size	54 * 19 * 25 mm

6. FCC RF Radiation Exposure Statement

Federal Communications Commission (FCC) Statement

15.21

You are cautioned that changes or modifications not expressly approved by the part responsible for compliance could void the user's authority to operate the equipment.

15.105 (b)

This equipment has been tested and found to comply with the limits for a Class B digital device, pursuant to part 15 of the FCC rules. These limits are designed to provide reasonable protection against harmful interference in a residential installation. This equipment generates, uses and can radiate radio frequency energy and, if not installed and used in accordance with the instructions, may cause harmful interference to radio communications. However, there is no guarantee that interference will not occur in a particular installation. If this equipment does cause harmful interference to radio or television reception, which can be determined by turning the equipment off and on, the user is encouraged to try to correct the interference by one or more of the following measures:

Bluetooth

GBH703D

- Reorient or relocate the receiving antenna.
- Increase the separation between the equipment and receiver.
- Connect the equipment into an outlet on a circuit different from that to which the receiver is connected.
- Consult the dealer or an experienced radio/TV technician for help.

Operation is subject to the following two conditions:

- (1) this device may not cause interference and
- (2) this device must accept any interference, including interference that may cause undesired operation of the device.

FCC RF Radiation Exposure Statement:

This equipment complies with FCC radiation exposure limits set forth for an uncontrolled environment. End users must follow the specific operating instructions for satisfying RF exposure compliance. This transmitter must not be co-located or operating in conjunction with any other antenna or transmitter.

If you need further help, please contact us:

GoerTek Technology Co.,Ltd.

http://www.goersale.com

e-mail: service@goersale.com

Customer Service Hotline: 86-532-88999318

The copyright and brand name are owned by the register. All information in this manual is subject to change without prior notice. GoerTek has the authority to explain the above information. For more information, please visit GoerTek Website: <http://www.goersale.com>

- 11 -