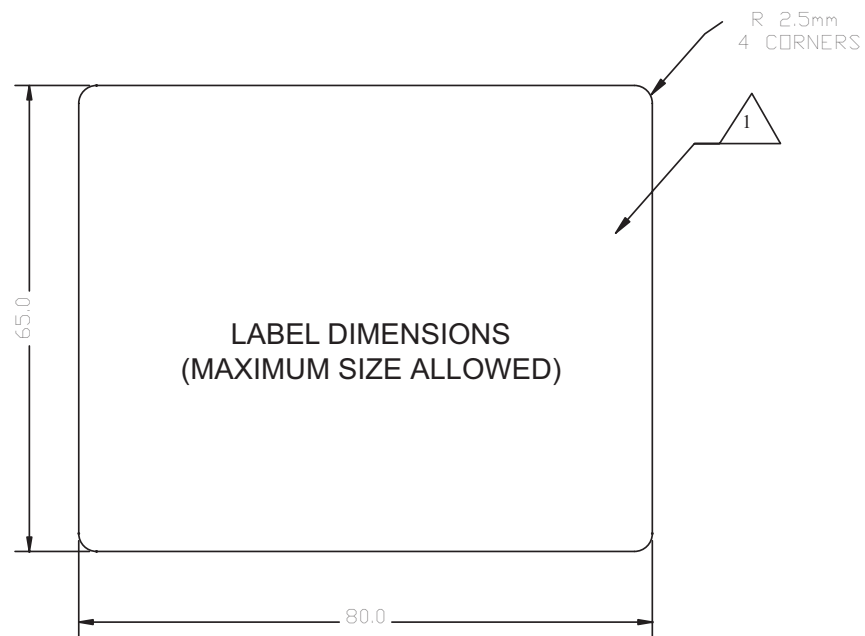
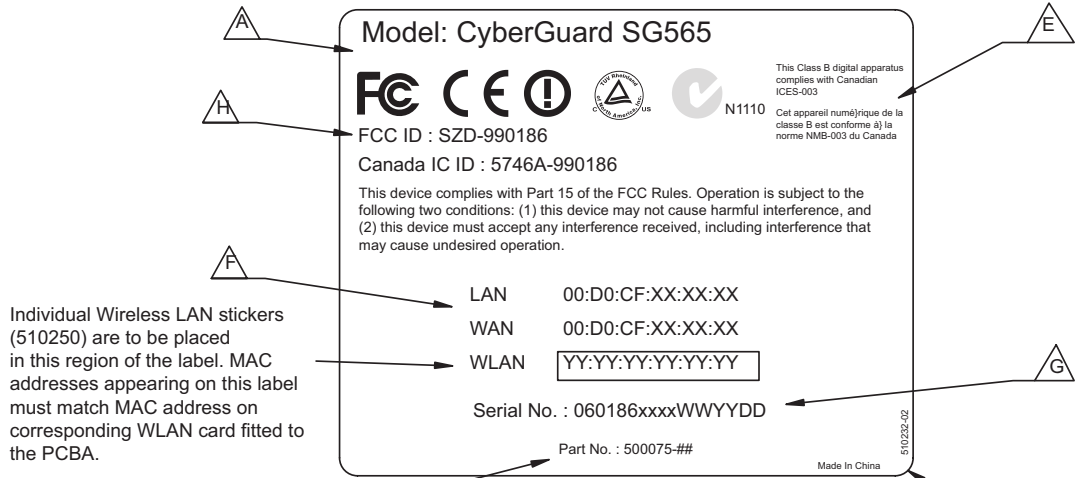


APPENDIX H

FCC LABELLING DETAILS





Individual Wireless LAN stickers (510250) are to be placed in this region of the label. MAC addresses appearing on this label must match MAC address on corresponding WLAN card fitted to the PCBA.

LABEL ARTWORK

REV	DESCRIPTION	DATE	DRN
00	Initial revision	21 OCT 04	ABD
01	Resized label and changed format Added FCC ID and CE alert compliance mark	09 FEB 05	ABD
02	Increased label size to fit FCC words for compliance	03 MAR 05	ABD

DRAWING NOTES	
1	Self-adhesive label stock; White; Gloss
A	Sub-assembly model Font = Arial; Colour = Black; Size = 3mm
B	Sub-assembly part no. as per BOM Font = Arial; Colour = Black; Size = 1.3mm Revision Number Format: ## = Refer to 500075 revision marking on BOM
C	Label Part Number / Made in China Font = Arial; Colour = Black; Size = 1.0mm
D	Equipment supplier code (Australia C-Tick) Font = Arial; Colour = Black; Size = 1.5mm
E	Complies with statements Font = Arial; Colour = Black; Size = 1.0mm
F	MAC addresses. Range supplied. Font = Arial; Colour = Black; Size = 2.5mm
G	Serial Number to be incremented. 060186 = Unique Product Identifier. xxx = incrementing decimal integer; start at 0001 WW = week of manufacture YY = year of manufacture (eg. 05) DD = check digits - ISO7064, MOD 97-10 algorithm
H	FCC ID, IC ID Font = Arial; Colour = Black; Size = 2.0mm

CYBERGUARD

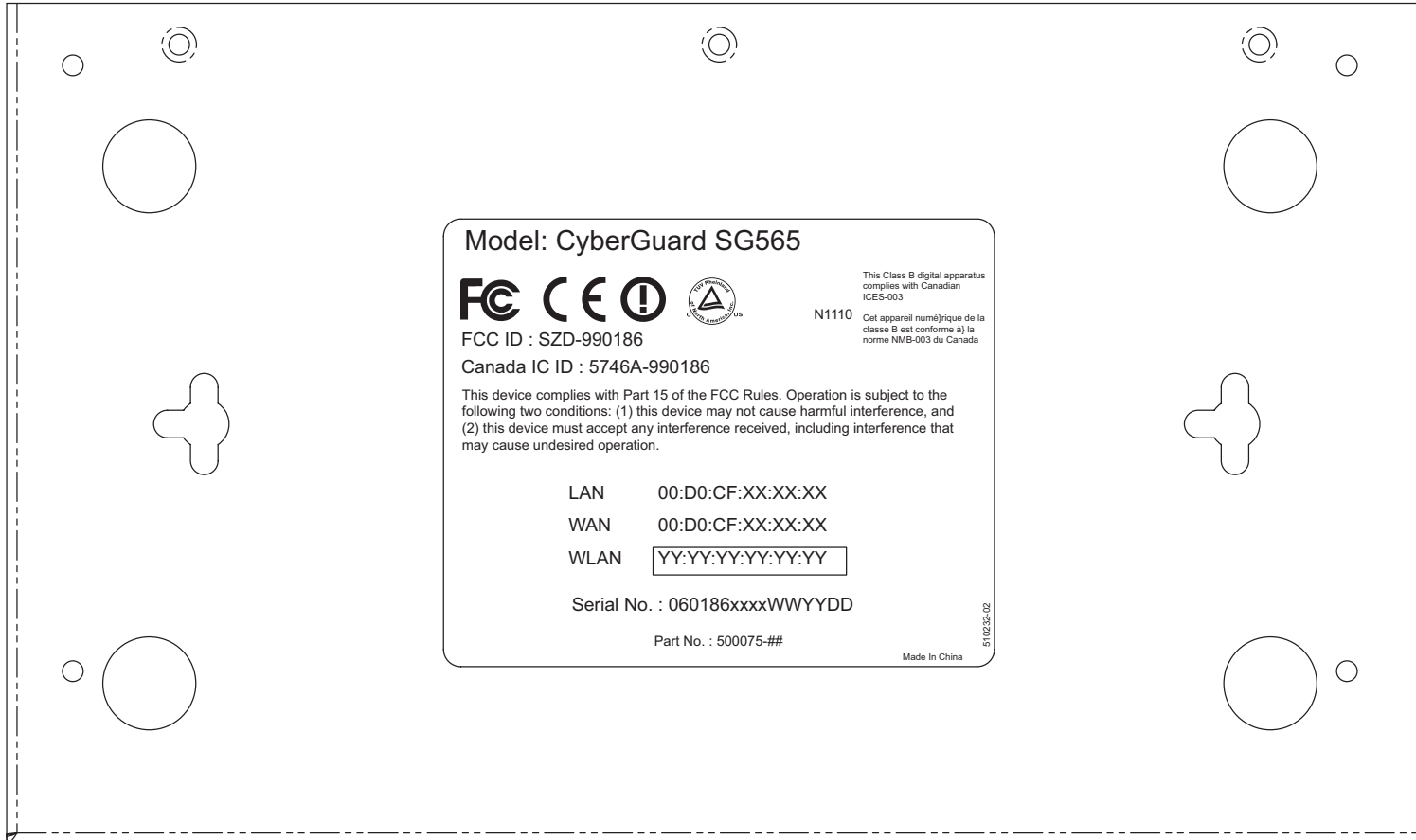
825 STANLEY STREET
WOOLLOONGABBA
QLD. 4102. AUSTRALIA

TEL: +61 7 3435 2888
FAX: +61 7 3891 3630

TOLERANCE UNLESS STATED
0.0 = +/- 0.3mm
0.00 = +/- 0.05mm

COPYRIGHT
DO NOT DISCLOSE TO ANY
THIRD PARTY WITHOUT
WRITTEN CONSENT

MEASURE TWICE CUT ONCE		
SIZE A4	SCALE NTS	FILE NAME D510232-02-SPC.dwg
DRAWING TITLE SG565 Compliance and MAC Label Specification		DATE 03 MAR 05
DRAWING NAME D510232/SPC		DRAWN ABD
		CHECKED
		APRV.



LABEL PLACEMENT ON BOTTOM OF METALWORK CASE